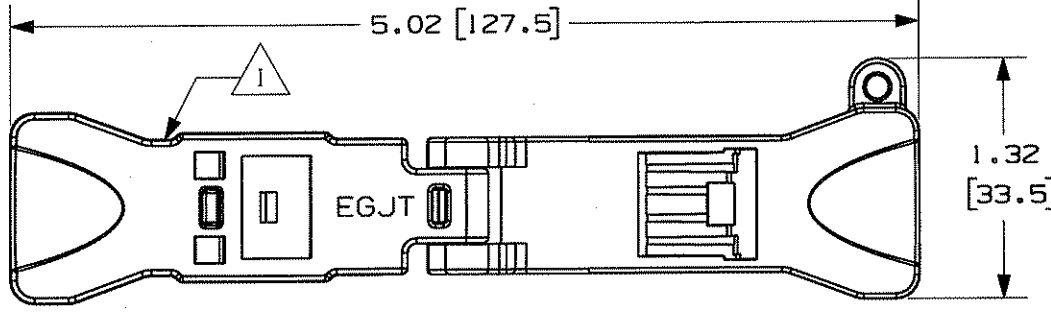


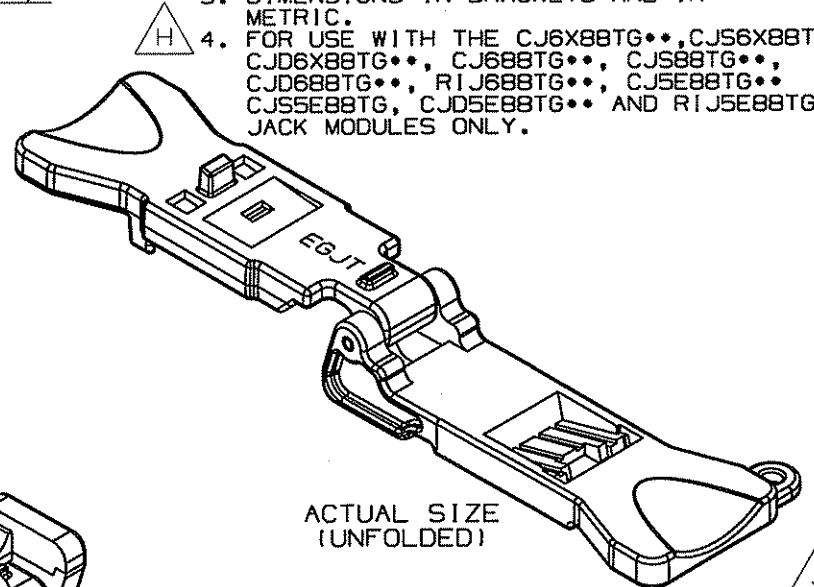
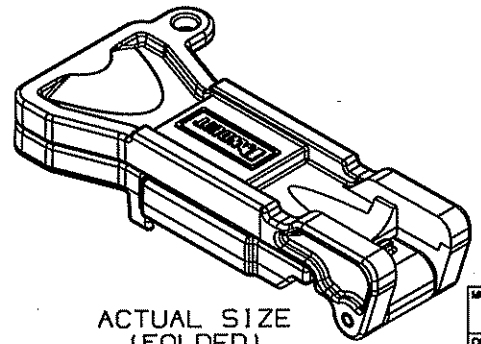
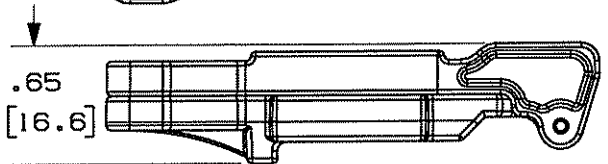
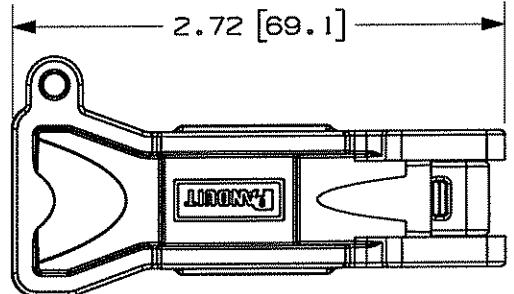
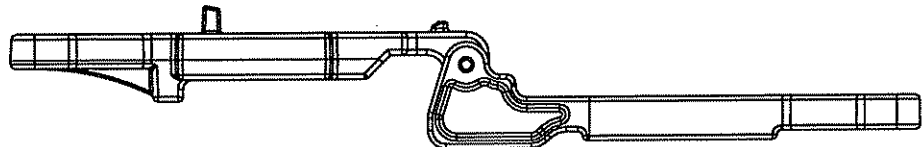
THIS COPY IS PROVIDED ON A RESTRICTED BASIS AND IS NOT TO BE USED IN ANY WAY DETRIMENTAL TO THE INTERESTS OF PANDUIT CORP.



PANDUIT P/N	WEIGHT
EGJT	.29 LB/10 PCS (131.6 g/10 PCS)

NOTES:

- SEE CURRENT CATALOG FOR PACKAGE QUANTITY.
- SEE CATALOG FOR COMPLETE LIST OF PARTS APPLICABLE FOR USE WITH THIS PART.
- DIMENSIONS IN BRACKETS ARE IN METRIC.
- FOR USE WITH THE CJ6X88TG**, CJS6X88TG CJD6X88TG**, CJ688TG**, CJS88TG**, CJD688TG**, RIJ688TG**, CJS5E88TG**, CJS5E88TG, CJD5E88TG** AND RIJ5E88TG** JACK MODULES ONLY.



MODEL FILENAME	M01874AP/10	SIZE	A
DRAWING FILENAME	M01874AP_DC53/10A		

TG TERMINATION TOOL
CUSTOMER DRAWING



1.1. NUMBER	NS-1327
PRODUCT SPEC/ PKG SPEC	PS-NS-789
ASSY METHOD/ TEST METHOD	
SCALE	FULL
PART NO.	EGJT
DRAWING NO.	01874-53

THIRD ANGLE PROJECTION	ALL DIMENSIONS ARE GIVEN IN INCHES, UNLESS OTHERWISE SPECIFIED.
DRAWN BY	LZ
DATE	10-14-04
CHK'D	PBD
REVIEW DRAWING NUMBERS	01847-50, 01847-51 01847-52, 02436-04
MAT'L	GLASS FILLED NYLON

REV	DATE	BY	CHK	DESCRIPTION	ECN	R	CUST	SUP	OTH
07	08-10-08	AGF	JTB	J. UPDATED ASSEMBLY TO REV 10	01874-53				
06	4-26-06	LZ	PBD	I. UPDATED SADDLE MODEL	01874-53	TJBU			
05	4-1-05	LZ	PBD	MODULES ABLE TO TERMINATE H. UPDATED NOTE 4 WITH CURRENT JACK G. UPDATED MAT'L NOTE	01874-53	TJBU			
R	10-14-04	LZ		DRAWING RELEASED					