



**Hewlett Packard HPE Support Center Enterprise**

**HPE ProLiant ML350 G5 Server - Spare Parts**

[New Model Specific Parts Lists](#)

[HPE ProLiant ML350 G5 server generic parts list](#)

[System internal components](#)

[Link to product related documents](#)

**New Model Specific Parts Lists**

**IMPORTANT:** To obtain current part number information for a specific product model, use the Standard Models page for this product family.

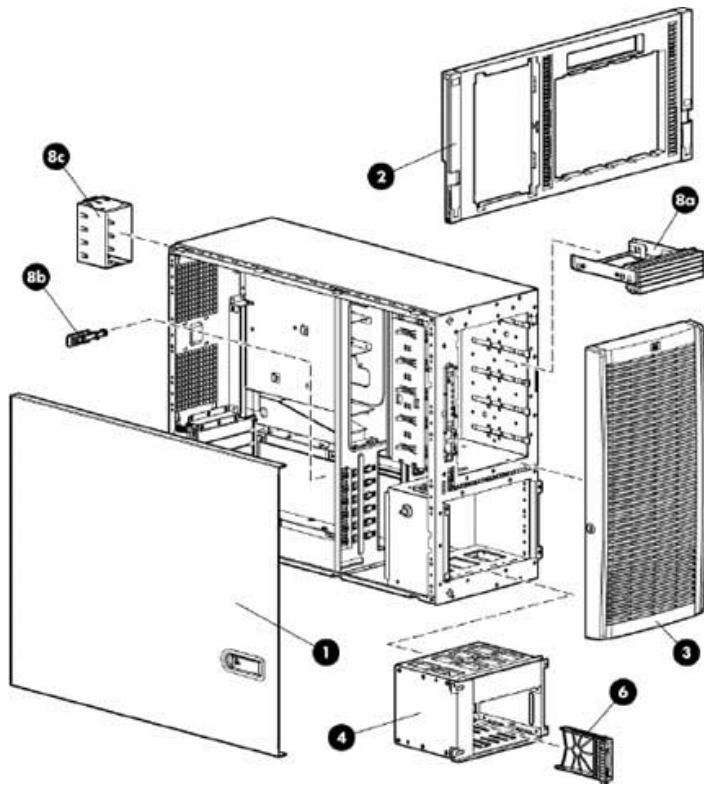
[Click here to go to the Standard Models page for all model specific information and to access the product model parts lists.](#)

- The product Standard Models page now links the model SKU numbers to the spare parts list for each model found on the HPE PartSurfer web site. (To report missing or incorrect parts information in PartSurfer, please use the "Contact us" and "Missing or incorrect data" links within the PartSurfer web site utility.)
- To lookup RoHS-compliant information in PartSurfer, use the component's option part number or the sales order number for a system in which the component is used (available in the QuickSpecs or Standard Models page). The spare part number does not provide RoHS-compliant information.

[top](#)

**HPE ProLiant ML350 G5 server generic parts list**

**Figure 1: ML350 G5 Chassis Components (Exploded view)**



Item Description	Spare part number	Customer self repair
1 Access Panel - Top cover (For rack mounted servers) or right side cover (For tower servers)	413981-001	Mandatory <sup>1</sup>
2 Front bezel - For rack mounted model servers - Has Cut-Outs for accessing the Hot-Plug hard drives, power switch, and removable media bays	413983-001	Mandatory <sup>1</sup>

Item Description	Spare part number	Customer self repair
3		Mandatory <sup>1</sup>
Front bezel - For tower model servers - Locking louvered front cover for the server - Covers the Hot-Plug hard drives, power switch, and removable media bays	413982-001	
4 8-bay SAS/SATA Small Form-Factor (SFF) hard drive cage - Mounts in the left front of the chassis (For rack mounted servers) or lower front of the chassis (For tower servers)	413985-001	Optional <sup>2</sup>
5 6-bay SAS/SATA Large Form-Factor (LFF) hard drive cage - Mounts in the left front of the chassis (For rack mounted servers) or lower front of the chassis (For tower servers) <sup>3</sup>	413986-001	Optional <sup>2</sup>
6 Hard drive blank (Cover) - To fill empty 2.5 in SFF drive bay slots	392613-001	Mandatory <sup>1</sup>
7 Hard drive blank (Cover) - To fill empty 3.5 in LFF drive bay slots <sup>3</sup>	389015-001	Mandatory <sup>1</sup>
8 Plastics/hardware kit <ul style="list-style-type: none"> <li>• Removable media blank</li> <li>• Retainer card guide</li> <li>• Power supply blank</li> <li>• Foot, carbonite<sup>3</sup></li> </ul>	413989-001	Mandatory <sup>1</sup>
9 6-Bay Hot-Plug SATA/SAS LFF hard drive cage assembly - Includes the hard drive cage with SATA/SAS backplane and backplane cables - Mounts in the lower front of the server (For tower models) or right front (For rack servers)	409683-001	Mandatory <sup>1</sup>

**NOTE: 1:**Mandatory - Parts for which user self repair is mandatory. If user request HP to replace these parts, user will becharged for the travel and labor costs of this service.

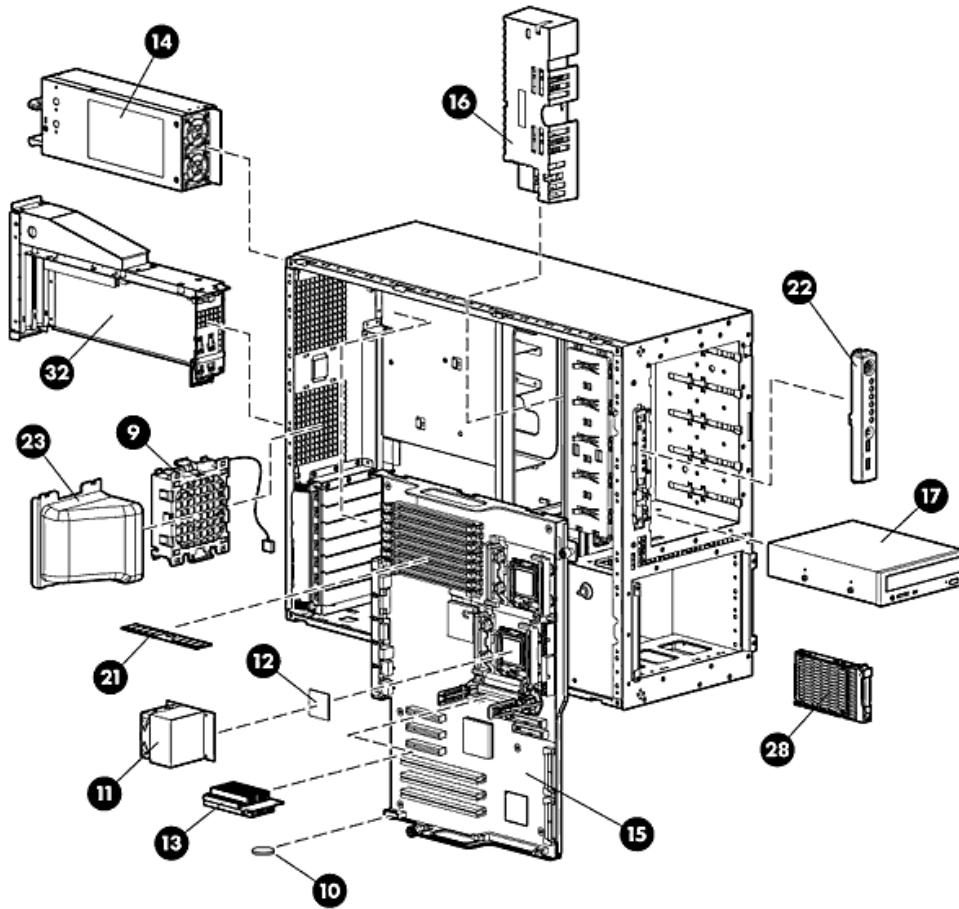
**2:**Optional - Parts for which user self repair is optional. These parts are also designed for user self repair. If,however, user require that HP replace them for user, there may or may not be additional charges, depending on the type of warranty service designated for users product.

**3:**Not shown

[top](#)

## System internal components

**Figure 2: ML350 G5 Internal Components (Exploded view)**



Item Description	Spare part number	Customer selfrepair
<b>9 System components</b>		
System fan assembly - 92 mm (3.62 in) x 92 mm (3.62 in) with cable	413978-001	Mandatory <sup>2</sup>
10 Battery for Real-Time Clock (RTC) - 3.0 V, 220 mAh, lithium coin cell, 20 mm diameter, 3.2 mm height (CR2032)	319603-001	Mandatory <sup>2</sup>
11 Heatsink assembly - Includes the Processor heatsink with integrated cooling fan and cable	413977-001	Optional <sup>3</sup>
<b>12a Processor with thermal grease and alcohol pad</b>		
Intel Xeon 5050 Dual-Core 64-bit Processor - 3.00 GHz (Dempsey, 4MB Level-2 cache, 667 MHz front side bus, 95 W Thermal Design Power (TDP), LGA771 socket) - Includes thermal grease and alcohol pad <sup>1</sup>	409423-001	Optional <sup>3</sup>
12b Intel Xeon 5060 Dual-Core 64-bit Processor - 3.20 GHz (Dempsey, 4MB Level-2 cache, 1066 MHz front side bus, 130 W TDP, socket LGA771) - Includes thermal grease and alcohol pad <sup>1,6</sup>	409424-001	Optional <sup>3</sup>
12c Intel Xeon 5080 Dual-Core 64-bit Processor - 3.73 GHz (Dempsey, 4MB Level-2 cache, 1066 MHz front side bus, 130 W TDP, LGA771 socket) - Includes thermal grease and alcohol pad <sup>1,6</sup>	412955-001	Optional <sup>3</sup>
12d Intel Xeon 5110 Dual-Core 64-bit Processor - 1.60 GHz (Woodcrest, 4MB Level-2 cache, 1066 MHz front side bus, 65 W TDP, socket LGA771) - Includes thermal grease and alcohol pad <sup>1,6</sup>	416795-001	Optional <sup>3</sup>
12e Intel Xeon 5120 Dual-Core 64-bit Processor - 1.86 GHz (Woodcrest, 4MB Level-2 cache, 1066 MHz front side bus, 65 W TDP, socket LGA771) - Includes thermal grease and alcohol pad <sup>1,6</sup>	416794-001	Optional <sup>3</sup>
12f Intel Xeon 5130 Dual-Core 64-bit Processor - 2.00 GHz (Woodcrest, 4MB Level-2 cache, 1333 MHz front side bus, 65 W TDP, socket LGA771) - Includes thermal grease and alcohol pad <sup>1,6</sup>	416796-001	Optional <sup>3</sup>
12g Intel Xeon 5140 Dual-Core 64-bit Processor - 2.33 GHz (Woodcrest, 4MB Level-2 cache, 1333 MHz front side bus, 65 W TDP, socket LGA771) - Includes thermal grease and alcohol pad <sup>1,6</sup>	416797-001	Optional <sup>3</sup>
12h Intel Xeon 5150 Dual-Core 64-bit Processor - 2.66 GHz (Woodcrest, 4MB Level-2 cache, 1333 MHz front side bus, 65 W TDP, socket LGA771) - Includes thermal grease and alcohol pad <sup>1,6</sup>	416798-001	Optional <sup>3</sup>
12i Intel Xeon 5160 Dual-Core 64-bit Processor - 3.00 GHz (Woodcrest, 4MB Level-2 cache, 1333 MHz front side bus, 80 W TDP, socket LGA771) - Includes thermal grease and alcohol pad <sup>1,6</sup>	416799-001	Optional <sup>3</sup>
12j Intel Xeon E5205 Dual-Core 64-bit Processor - 1.86 GHz (Wolfdale, 6MB Level-2 cache, 1066 MHz front side bus, 65 W TDP, LGA771 socket) - Includes thermal grease and alcohol pad <sup>1,6</sup>	460493-001	Optional <sup>3</sup>

Item	Description	Spare part number	Customer selfrepair
12k	Intel Xeon X5260 Dual-Core 64-bit Processor - 3.33 GHz (Wolfdale, 6MB Level-2 cache, 1333 MHz front side bus, 80 W TDP, LGA771 socket) - Includes thermal grease and alcohol pad <sup>1,6</sup>	459738-001	Optional <sup>3</sup>
12l	Intel Xeon E5310 Quad-Core 64-bit Processor - 1.60 GHz (Clovertown, 8MB Level-2 cache, 1066 MHz front side bus, 80 W TDP, LGA771 socket) - Includes thermal grease and alcohol pad <sup>1,6</sup>	437945-001	Optional <sup>3</sup>
12m	Intel Xeon E5320 Quad-Core 64-bit Processor - 1.86 GHz (Clovertown, 8MB Level-2 cache, 1066 MHz front side bus, 80 W TDP, LGA771 socket) - Includes thermal grease and alcohol pad <sup>1,6</sup>	436151-001	Optional <sup>3</sup>
12n	Intel Xeon E5335 Quad-Core 64-bit Processor - 2.00 GHz (Clovertown, 8MB Level-2 cache, 1333 MHz front side bus, 80 W TDP, LGA771 socket) - Includes thermal grease and alcohol pad	437946-001	Optional <sup>3</sup>
12o	Intel Xeon E5345 Quad-Core 64-bit Processor - 2.33 GHz (Clovertown, 8MB Level-2 cache, 1333 MHz front side bus, 80 W TDP, LGA771 socket) - Includes thermal grease and alcohol pad <sup>1,6</sup>	439827-001	Optional <sup>3</sup>
12p	Intel Xeon X5355 Quad-Core 64-bit Processor - 2.66 GHz (Clovertown, 8MB Level-2 cache, 1333 MHz front side bus, 120 W TDP, LGA771 socket) - Includes thermal grease and alcohol pad <sup>1,6</sup>	438363-001	Optional <sup>3</sup>
12q	Quad-Core, Intel Xeon Processor E5405 (2.00-GHz,1333 MHz FSB, 2x6-MB L2 cache) <sup>1,6</sup>	455274-006	Optional <sup>3</sup>
12r	Quad-Core, Intel Xeon Processor E5410 (2.33-GHz,1333 MHz FSB, 2x6-MB L2 cache) <sup>1,6</sup>	460492-001	Optional <sup>3</sup>
12s	Quad-Core, Intel Xeon Processor E5420 (2.50-GHz,1333 MHz FSB, 2x6-MB L2 cache) <sup>1,6</sup>	455274-004	Optional <sup>3</sup>
12t	Quad-Core, Intel Xeon Processor L5420 (2.50-GHz,1333 MHz FSB, 2x6-MB L2 cache) <sup>1,6</sup>	463719-001	Optional <sup>3</sup>
12u	Quad-Core, Intel Xeon Processor E5430 (2.66-GHz,1333 MHz FSB, 2x6-MB L2 cache) <sup>1,6</sup>	455274-003	Optional <sup>3</sup>
12v	Quad-Core, Intel Xeon Processor E5440 (2.83-GHz,1333 MHz FSB, 2x6-MB L2 cache) <sup>1,6</sup>	455274-002	Optional <sup>3</sup>
12w	Quad-Core, Intel Xeon Processor X5460 (3.16-GHz,1333 MHz FSB, 2x6-MB L2 cache) <sup>1,6</sup>	457879-001	Optional <sup>3</sup>
13	Processor power module (PPM) - Voltage regulator module (VRM) for the Processor	413980-001	Mandatory <sup>2</sup>
14	1000 W AC Hot-Plug power supply - Installs in the computer chassis as primary or redundant supply (800 W at 100 V ac to 1000 W at 200 V ac maximum power) - Requires 100-240 V ac at 50/60 Hz	403781-001	Mandatory <sup>2</sup>
15a	<b>Boards</b>		
	System board with tray and screws, supports Intel Xeon 50xx, 51xx Processors and PATA optical drives. (Assembly number: 395566-001) <sup>1</sup>	413984-001	Optional <sup>3</sup>
15b	System board with tray and screws, supports Intel Xeon52xx, 53xx, 54xx Processors and PATA optical drives. (Assembly number: 395566-002) <sup>1</sup>	439399-001	Optional <sup>3</sup>
15c	System board with tray and screws, supports Intel Xeon 50xx, 51xx, 52xx, 53xx, 54xx Processors and SATA optical drives. (Assembly number: 395566-003)	461081-001	Optional <sup>3</sup>
16	Power supply backplane / DC converter assembly, 960 W - Mounts on the rear of the power supply cage	413144-001	Optional <sup>3</sup>
17a	<b>Removal Media devices</b>		
	CD-ROM drive, IDE (PATA), 48X	397931-001	Mandatory <sup>2</sup>
17b	CD-RW/DVD-ROM drive, IDE (PATA), 48X	399404-001	Mandatory <sup>2</sup>
18a	DVD-ROM optical disk drive - SATA interface, Half-Height form factor, 16x DVD-ROM read, 40x CD-ROM read	447464-001	Mandatory <sup>2</sup>
18b	DVD-RW optical disk drive - SATA interface, Half-Height form factor, 8x DVD-RW read, 16x DVD-ROM read, 40x CD-ROM read	447466-001	Mandatory <sup>2</sup>
	<b>Memory</b>		
21a	512MB, 667 MHz, PC2-5300F-5, DDR2, Single-Rank x8, 1.50 V, registered, Fully-Buffered with ECC, Dual In-line Memory Module (FBDIMM) - Part number is for one 512MB Dual In-line Memory Module (DIMM)	416470-001	Mandatory <sup>2</sup>
21b	1GB, 667 MHz, PC2-5300F-5, DDR2, Dual-Rank x8, 1.50 V, registered, FBDIMM - Part number is for one 1GB DIMM	416471-001	Mandatory <sup>2</sup>
21c	2GB, 667 MHz, PC2-5300F-5, DDR2, Dual-Rank x4, 1.50 V, registered, FBDIMM - Part number is for one 2GB DIMM	416472-001	Mandatory <sup>2</sup>
21d	4GB, 667 MHz, PC2-5300F-5, DDR2, Dual-Rank x4, 1.50 V, registered, FBDIMM - Part number is for one 4GB DIMM	416473-001	Mandatory <sup>2</sup>

Item	Description	Spare part number	Customer selfrepair
22	<b>Miscellaneous</b>		
	Power switch board with cable	413988-001	Optional <sup>3</sup>
23	Air baffle	413979-001	Mandatory <sup>2</sup>
<b>Cables</b>			
24	PATA (IDE) CD/DVD drive cable assembly - Connects between the optical drive and the system I/O board	413987-001	Mandatory <sup>2</sup>
25	SATA DVD drive cable assembly - Connects between the optical drive and the system I/O board	460428-001	Mandatory <sup>2</sup>
26	SATA DVD drive power converter cable - 4-pin power connector (red, yellow, and black wires) to two SATA type power connectors	465660-001	Mandatory <sup>2</sup>
27	AC Power Distribution Unit (PDU) power cord (Black) - 250 V ac, 16AWG, 2.5 m (8.2 ft) long - Includes IEC-320 C14 (M) connector to IEC 320 C13 (F) connector	142258-002	Mandatory <sup>2</sup>
28a	<b>Hot Plug SFF SAS 2.5 in Drives</b>		
	36GB Hot-Plug Single-Port SAS hard disk drive - 10,000 RPM, 3 Gb/s transfer rate, 2.5 in SFF <sup>4</sup>	376596-001	Mandatory <sup>2</sup>
28b	72GB Hot-Plug Single-Port SAS hard disk drive - 10,000 RPM, 3 Gb/s transfer rate, 2.5 in SFF <sup>4</sup>	376597-001	Mandatory <sup>2</sup>
28c	36GB Hot-Plug Single-Port SAS hard disk drive - 15,000 RPM, 3 Gb/s transfer rate, 3.5 in LFF <sup>4</sup>	376593-001	Mandatory <sup>2</sup>
28d	72GB Hot-Plug Single-Port SAS hard disk drive - 15,000 RPM, 3 Gb/s transfer rate, 3.5 in LFF, Enterprise <sup>4</sup>	376594-001	Mandatory <sup>2</sup>
28e	146GB Hot-Plug Single-Port SAS hard disk drive - 15,000 RPM, 3 Gb/s transfer rate, 3.5 in LFF, Enterprise <sup>4</sup>	376595-001	Mandatory <sup>2</sup>
28f	60GB Hot-Plug SATA hard disk drive - 5,400 RPM, 1.5 Gb/s transfer rate, 2.5 in SFF <sup>4</sup>	405419-001	Mandatory <sup>2</sup>
28g	80GB non-Hot-Plug SATA hard disk drive - 7,200 RPM, 3 Gb/s transfer rate, 3.5 in LFF <sup>4</sup>	399967-001	Mandatory <sup>2</sup>
28h	160GB Non-Hot-Plug SATA hard disk drive - 7,200 RPM, 1.5 Gb/s transfer rate, 3.5 in LFF <sup>4</sup>	399968-001	Mandatory <sup>2</sup>
28i	250GB Non-Hot-Plug SATA hard disk drive - 7,200 RPM, 1.5 Gb/s transfer rate, 3.5 in LFF <sup>4</sup>	399969-001	Mandatory <sup>2</sup>
28j	500GB Non-Hot-Plug SATA hard disk drive - 7,200 RPM, 1.5 Gb/s transfer rate, 3.5 in LFF <sup>4</sup>	404654-001	Mandatory <sup>2</sup>
28k	1TB Hot-Plug Dual-Port SAS hard disk drive - 7,200 RPM, 3 Gb/s transfer rate, 3.5 in LFF, Midline <sup>4</sup>	461289-001	Mandatory <sup>2</sup>
29	Secondary parallel and serial port connector bracket assembly - For adding a second parallel port and serial port to the rear panel - Includes the bracket with connectors and cables - Plugs in the system I/O board	418300-001	Mandatory <sup>2</sup>
30	Keyboard	355630-001	Mandatory <sup>2</sup>
31	Mouse	311060-001	Mandatory <sup>2</sup>
32	Optional 2-slot PCI-X expansion cage - Mounts next to the power supply cage (For rack mounted servers) or next to the power supply cage (For tower servers) - Interconnects to the PCI-X conversion card in PCIe slot one	439400-001	Optional <sup>3</sup>
33	Smart Array E200 controller board - PCIe x8 SAS RAID controller - Has two internal x4 SAS ports and cache memory card connector - For up to 3 Gb/s SAS transfer rate and up to 1.5 Gb/s transfer rate SATA	412799-001	Optional <sup>3</sup>
34	Smart Array E200i controller 64MB Battery-Backed Write cCache (BBWC) memory board - Does not include back-up battery	412800-001	Optional <sup>3</sup>
35	Smart Array E200i controller 128MB BBWC memory board - Does not include back-up battery	413486-001	Optional <sup>3</sup>
36	Smart Array P400 controller board - PCIe x8 SAS controller - Has two internal x4 SAS ports and memory connector - For up to 3 Gb/s SAS and 1.5 Gb/s SATA transfer rate - Does not include memory	405832-001	Optional <sup>3</sup>
37	256MB BBWC memory module - Does not include the controller board or battery - For use with the P400 Smart Array Controller	405836-001	Optional <sup>3</sup>
38	512MB BBWC memory module - Does not include the controller board or battery - For use with the P400 Smart Array Controller	405835-001	Optional <sup>3</sup>

Item Description	Spare part number	Customer selfrepair
39 Battery module with integrated charger - Ni-MH, 4.8 V, 5000 mAh - For use with the Smart Array P400 and P800 SAS Controller boards with BBWC	398648-001	Optional <sup>3</sup>
40 Smart Array P400 controller battery cable assembly - 28 AWG, 16-pin - 292 mm (11.5 in) long - Connects between the battery pack and the memory module	409124-001	Mandatory <sup>2</sup>
41 Smart Array P400 controller battery cable assembly - 28AWG, 16-pin - 610 mm (24 in) long - Connects between the battery pack and the memory module	409125-001	Mandatory <sup>2</sup>
42 Optional PCI-X Hot-Plug mezzanine board - Provides two additional PCI-X 133MHz slots - Mounts in the bottom center of the system I/O board	411791-001	Optional <sup>3</sup>
43 Smart Array BBWC 3.6 V battery pack assembly - 500 mAh Ni-MH - Oval shaped, 12.5 mm (0.5 in) high, 38 mm (1.5 in) wide, and 77 mm (3.0 in) long - For use with the E200 Smart Array controller	307132-001	Optional <sup>3</sup>
44 Data cable kit - Includes PCI-X Hot Plug switch board cable assembly, USB cable assembly, and power switch cable assembly	376478-001	Optional <sup>3</sup>
45 NC112T single port Gigabit Ethernet adapter board - Has one external RJ45 10/100/1000Mb port - Requires one low profile (Or full height) x1 PCIe slot	503827-001	Optional <sup>3</sup>
46 NC360T dual port Gigabit Ethernet adapter board - Has two external RJ45 10/100/1000Mb ports - Requires one low profile (Or full height) x4 PCIe slot	412651-001	Optional <sup>3</sup>
47 NC364T quad port Gigabit Ethernet adapter board - Has four external RJ45 10/100/1000Mb ports - Requires one low profile (Or full height) x4 PCIe slot	436431-001	Optional <sup>3</sup>
48 NC373F Multifunction Gigabit server adapter board - Has one external LC 1000BASE-SX port - Supports TCP/IP Offload Engine (TOE) for Windows only and Internet Small Computer System Interface (iSCSI) - Requires low profile (Or full height) x4 PCIe slot	395864-001	Optional <sup>3</sup>
49 NC373T multifunction Gigabit server adapter board - Has one external RJ45 10/100/1000Mb port - Supports TOE for Windows only and iSCSI - Requires low profile (Or full height) x4 PCIe slot	395861-001	Optional <sup>3</sup>
50 NC380T PCI Express dual-port multifunction gigabit server adapter	374443-001	Optional <sup>3</sup>
51 NC522SFP dual-port 10GbE server adapter (Option 468332-B21)	468349-001	Optional <sup>3</sup>

**NOTE: 1:** Do not mix single and dual core Processors or Processors with different speeds or cache sizes.

**2:** Mandatory - Parts for which user self repair is mandatory. If user request HP to replace these parts, user will be charged for the travel and labor costs of this service.

**3:** Optional - Parts for which user self repair is optional. These parts are also designed for customer self repair. If, however, user require that HP replace them for user, there may or may not be additional charges, depending on the type of warranty service designated for your product.

**4:** Please note that Small Form Factor (SFF) 2.5 in drives can only be installed on tower or rack models with SFF chassis (Models).

**5:** Please note that Large Form Factor (LFF) 3.5 in drives can only be installed on tower or rack models with LFF chassis (Models).

**6** Not shown

[top](#)

## Link to product related documents

[Click here to view the list of product related documents.](#)

[top](#)

©Copyright 2021 Hewlett Packard Enterprise Development LP

Hewlett Packard Enterprise Development shall not be liable for technical or editorial errors or omissions contained herein. The information provided is provided "as is" without warranty of any kind. To the extent permitted by law, neither HPE nor its affiliates, subcontractors or suppliers will be liable for incidental, special or consequential damages including downtime cost; lost profits; damages relating to the procurement of substitute products or services; or damages for loss of data, or software restoration. The information in this document is subject to change without notice. Hewlett Packard Enterprise Development and the names of Hewlett Packard Enterprise Development products referenced herein are trademarks of Hewlett Packard Enterprise Development in the United States and other countries. Other product and company names mentioned herein may be trademarks of their respective owners.