

## Extra Capacity...with Style

**Wiremold®** Evolution™ Series Work Surface Portals offer seamless integration of electrical, voice, data, video, and audio into workstation activations and the aesthetics to match room décor. These portals are ideal for use in commercial and institutional conference or board rooms to enhance the productivity of any meeting by bringing services up to the user.

### Key Features:

- **Increased capacity to mount devices.** Evolution Work Surface Portals are designed to install devices beneath the table surface and to accommodate large devices and cabling.
- **Cover can be closed while in use.** Protects devices and connections while reducing obstructions on the table surface.
- **Convenient cord ended units.** Makes installation fast & easy.
- **Black devices against a white back plate.** Easier to identify and locate the right connections.
- **Multiple color options.** Cover plates are die-cast aluminum and are available with durable powder coat finishes of nickel, brass, bronze, gray, or black. Powder coat finish provides increased durability with more aesthetic alternatives.



Nickel



Brass



Bronze



Gray



Black

designed to be better.



Wiremold

# Evolution Series™ Work Surface Portals

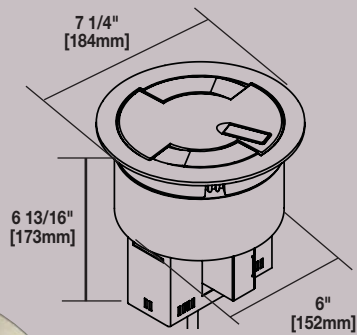
A variety of sizes and styles to meet a full range of meeting and presentation room requirements.

Units are prewired with either a 12' [3.7m] cord with NEMA 5/15 plug or a 6' [1.8m] whip suitable for field-wiring. Covers are available in either a flush or beveled model in Nickel, Brass, Bronze, Gray or Black durable powder coat finish.

PART NUMBERING SYSTEM				
Work Surface Series	Wiring	Size (Diameter)	Cover Style	Cover Color
<b>WS</b>	Cord Ended = <b>Blank</b>	6" [152mm] = <b>6</b>	Surface/ = <b>S</b>	<b>NK</b> = Nickel <b>BZ</b> = Bronze <b>GY</b> = Gray <b>BK</b> = Black <b>BS</b> = Brass
	Field Wired = <b>F</b>	8" [203mm] = <b>8</b>	Beveled Flush = <b>F</b>	

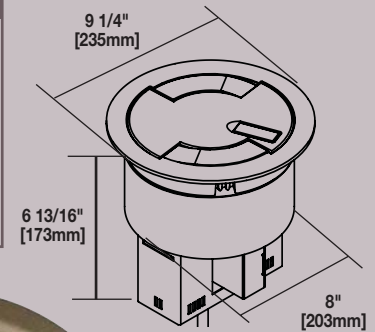
## 6" VERSION

Flush or Surface Cover  
Choice of 5 Cover Colors  
2 Duplex Receptacles  
2 Ortronics® Cat 6 Jacks  
5 Extron® Electronics  
MAAP Openings



## 8" VERSION

Flush or Surface Cover  
Choice of 5 Cover Colors  
2 Duplex Receptacles  
6 Ortronics® Cat 6 Jacks  
10 Extron® Electronics  
MAAP Openings



**Wiremold**

60 Woodlawn Street  
West Hartford, CT 06110  
Telephone: 1.800.621.0049  
Fax: 1.860.232.2062  
[www.legrand.us/wiremold](http://www.legrand.us/wiremold)