

# **GREAT LAKES** **CASE & CABINET**



*Invest in Solid Engineering*

## 19" EIA SRD Swing Rack **Installation Instructions**



[www.WeRackYourWorld.com](http://www.WeRackYourWorld.com)

**1-866-TRY-GLCC (879-4522)**

# PREFACE

This manual is provided to prevent service personnel from committing an act that results in the risk of fire, electric shock, or injury to persons. Only trained service personnel should receive, unpack, and assemble the SRD Swing Rack. In addition, only trained service personnel should install equipment in enclosures.

## SAFETY SYMBOLS USED IN THIS MANUAL

This manual provides general safety guidelines to be observed during installation, operation, and maintenance of the SRD Swing Rack.



**WARNING:** Failure to follow directions in the warning could result in injury to persons or loss of life.



**CAUTION:** Failure to follow directions in the caution could result in damage to equipment or storage data.

## SAFETY CONSIDERATIONS



**WARNING:** Improper handling and use of the SRD Swing Rack could result in equipment damage, serious injury, or possible death.

Only UL® Listed ITE (Information Technology Equipment) units should be installed inside the SRD Swing Rack.

Be sure to read and follow all individual manufacturer equipment manuals for safety and installation instructions.

Proper spacing is required when installing electrical equipment to avoid electrical shock.

# INSTALLATION

## Loading Equipment



**WARNING:** Only install equipment after the SRD Swing Rack has been properly secured. Do not move the SRD Swing Rack assembly while loaded.

**MAXIMUM LOAD CAPACITY:** 100 pound capacity for every size of SRD Swing Rack

# OVERVIEW

SRD Swing Racks are designed to securely hold 19" rack mount equipment, networking equipment, phone equipment, etc. in tight spaces or closets

## Your package should include the following items:

COMPONENT	QTY.
BRACES (TOP & BOTTOM)	2
SWING RACK SIDE WITH SWING FRAME ATTACHED	1
SWING RACK SIDE	1
1/4 - 20 X 1/2" CARRIAGE BOLTS	8
1/4 - 20 HEX NUTS WITH SERRATED FLANGE	8
3/8" - 16 SHOULDER BOLTS	2
#10-32 X 1/2" LONG, BLACK SCREWS	50

TOOLS REQUIRED: 7/16" NUT DRIVER, PHILLIPS HEAD SCREWDRIVER

# MOUNTING INSTRUCTIONS

## Wood Studded Wall

Once the location on the wall has been determined, inspect the wall surface. The wall must be flat and square in the horizontal and vertical plane to ensure the SRD Swing Rack closes correctly. If the wall is not flat and square, you might need to use shims.

Wood studded wall mounting instructions apply to a 2" x 4" wood stud wall with 3/4" plywood.

## Mounting Hardware for Wood Studded Wall

GL24SRD Qty (4) 3/8 x 2" long Lag Bolts and 1" O.D. Flat Washer

GL36SRD Qty (8) 3/8 x 2" long Lag Bolts and 1" O.D. Flat Washer

GL48SRD Qty (8) 3/8 x 2" long Lag Bolts and 1" O.D. Flat Washer

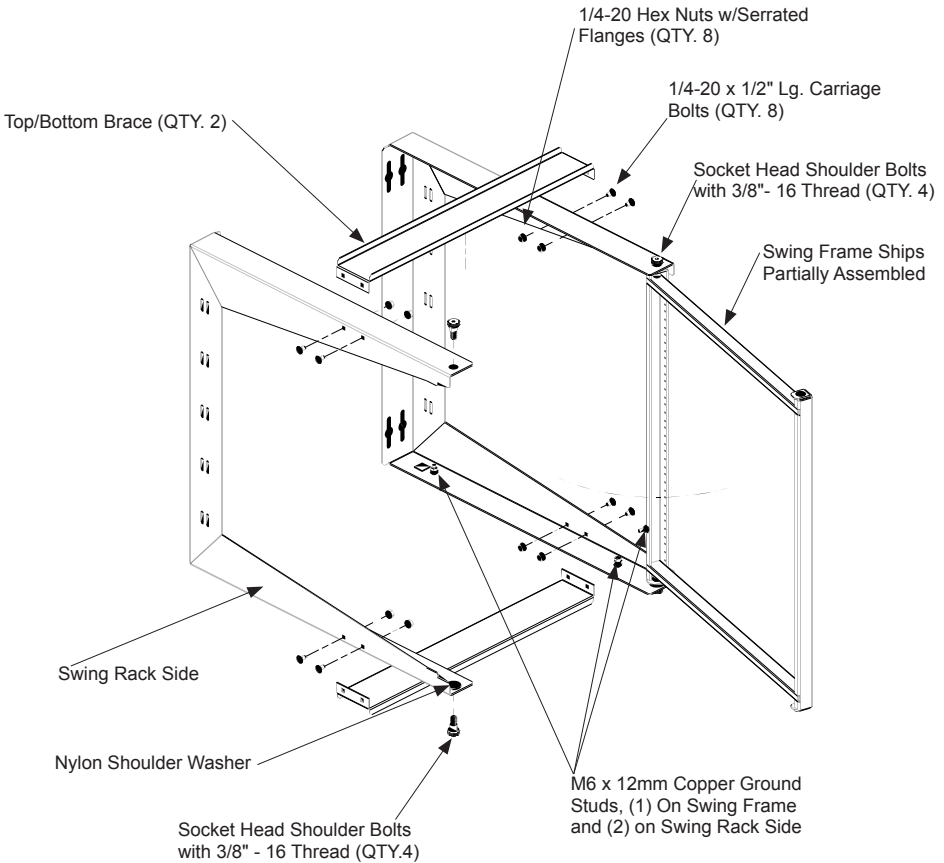
## Masonry Wall Surface

For a masonry wall surface, the installer must provide all the appropriate hardware.



WARNING: Improper handling and use of the EN enclosure could result in equipment damage, serious injury, or possible death.

# ASSEMBLY INSTRUCTIONS



## STEP 1.

Attach the top and bottom brace to swing rack sides using the 1/4 - 20 x 1/2" carriage bolts and 1/4 - 20 hex nuts.

## STEP 2.

Close swing frame and attach using the shoulder bolts.

## STEP 3.

Mount the assembly to the wall with four lag screws (these are not provided; The installer is to determine correct hardware for the type of wall). Mounting holes are designed for 3/8" hardware, 16" on center.

# SPECIFICATIONS

PART NO.	H	W	D	RMU
GL24SRD	24.12"	20.62"	24.00"	12
GL36SRD	36.37"	20.62"	24.00"	19
GL48SRD	49.62"	20.62"	24.00"	26

**Certifications:** UL Listed

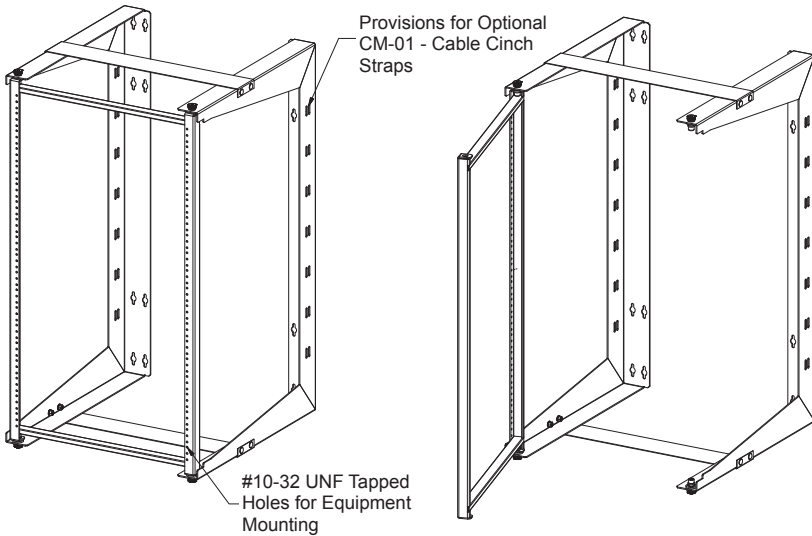
**Construction:** Body: 12 gauge steels; Rails: 12 gauge steel

**Finish:** Black Powder Coat

**Grounding:** Studs located on mounting channel

**Rail Type:** #10-32 UNF Tapped

**Total Maximum Load Capacity:** 100 lbs. for all sizes



## Receiving, Unpacking, and Removing the SRD Swing Rack

Inspect and report damage before receiving. Unpack the SRD Swing Rack by carefully removing the corrugated cartons and corners. Avoid damaging the SRD Swing Rack when removing packaging.



**WARNING:** Only trained service personnel should be used to remove the SRD Swing Rack from the carton. Also, be sure you have a sufficient number of service personnel. Do not attempt to mount the SRD Swing Rack by yourself.

## **POWER**

When using PDUs, each PDU should be connected to a committed branch circuit that is rated for the continuous load of all the equipment connected. When not using a PDU, each piece of equipment should be connected to a dedicated branch circuit.

## **PROTECTIVE EARTHING/GROUNDING**

A main protective earthing stud is provided.



**WARNING:** To avoid injury to persons or loss of life, ground each SRD Swing Rack individually to the dedicated branch circuit earthing ground

### **CONNECTING MAIN PROTECTIVE EARTHING STUD TO THE DEDICATED BRANCH CIRCUIT EARTHING GROUND CONDUCTOR**

Connect the dedicated branch circuit earthing ground conductor to the main protective earthing stud located on the support frame using a listed ring or closed-loop terminal.

When installing a Great Lakes Swing Rack or Wall Mount to materials such as wood, cinder block, concrete, etc., please consider the load capacity within the swing rack or wall mount structure, and be certain to check with local authorities to determine the appropriate hardware requirements for these conditions. Because wall compositions may vary at different installation sites, Great Lakes cannot warrant the fitness or suitability of any installation instructions or installation hardware it may provide for swing rack or wall mount enclosures. Great Lakes hereby **DISCLAIMS ALL WARRANTIES, EXPRESS AND IMPLIED, INCLUDING THE IMPLIED WARRANTIES OF MERCHANTABILITY AND FITNESS FOR A PARTICULAR PURPOSE, REGARDING THE SUFFICIENCY, FITNESS OR SUITABILITY OF ANY INSTALLATION INSTRUCTIONS OR INSTALLATION HARDWARE GREAT LAKES MAY PROVIDE FOR SWING RACKS AND WALL-MOUNTED ENCLOSURES.** Great Lakes recommends that an experienced maintenance and/or technical person be consulted regarding the proper wall-mounting hardware and procedures to be used for the anticipated load capacity of the swing rack or wall mounted enclosure.

*Product specifications are subject to change without prior notice.*



**GREAT LAKES  
CASE & CABINET**



*Invest in Solid Engineering*

# Thank you for your business!

*we Rack  
your  
World!™*



ISO 9001 : 2008 Registered

ETSI Associate Member

