

19" EIA Wall Mount Swing Rack

Installation Instructions

(UL609501 SR Series Equipment Rack)



WeRackYourWorld.com
1-866-TRY-GLCC (879-4522)

PREFACE

This manual is provided to prevent service personnel from committing an act that results in the risk of fire, electric shock, or injury. Only trained service personnel should receive, unpack, and assemble the SR Swing Rack. In addition, only trained service personnel should install equipment in the swing rack.

SAFETY SYMBOLS USED IN THIS MANUAL

This manual provides general safety guidelines to be observed during installation, operation, and maintenance of the SR Swing Rack.



WARNING: Failure to follow directions in the warning could result in injury to persons or loss of life.



CAUTION: Failure to follow directions in the caution could result in damage to equipment or storage data.

SAFETY CONSIDERATIONS



WARNING: Improper handling and use of the SR Swing Rack could result in equipment damage, serious injury, or possible death.

Only UL® Listed ITE (Information Technology Equipment) units should be installed inside the SR Swing Rack.

Be sure to read and follow all individual manufacturer equipment manuals for safety and installation instructions.

Proper spacing is required when installing electrical equipment to avoid electrical shock.

Maintain minimum spacing between the accessories and components and the computer enclosure assembly for safe operation of the equipment when installed in accordance with the National Electric Code ANSI/NFPA 70-1999.

The ambient temperature operating range for the SR Swing Rack and accessories is +50 to +95°F (+10 to +35°C).

The non-operating temperature is -4 to +140°F (-20 to +60°C)

INSTALLATION

Loading Equipment



WARNING: Only install equipment after the SR Swing Rack has been properly secured. Do not move the SR Swing Rack assembly while loaded.

MAXIMUM LOAD CAPACITY:

50 pound capacity for every size of SR Swing Rack

To maintain uniform distribution of the mechanical load in the SR Swing Rack, load the heaviest equipment first, at the bottom of the SR Swing Rack and load the lighter units at the top.

SERVICE

The SR Swing Rack should be repaired by personnel trained by Great Lakes, or returned to Great Lakes for repair or replacement. Contact Great Lakes Technical Support at 814.734.7303 or at werackyourworld.com

WHAT'S INCLUDED

SR Swing rack

50 X 12-24 x 1/2" Philips pan head screws

This user's manual

MOUNTING INSTRUCTIONS**Wood Studded Wall**

Once the location on the wall has been determined, inspect the wall surface. The wall must be flat and square in the horizontal and vertical plane to ensure the SR Swing Rack closes correctly. If the wall is not flat and square, you might be required to use shims.

Wood studded wall mounting instructions apply to a 2" x 4" wood stud wall with 3/4" plywood.

Recommended Mounting Hardware for Wood Studded Wall

Qty (4) 3/8 x 2" long Lag Bolts and 1" O.D. Flat Washer

Masonry Wall Surface

For masonry wall surface, the installed must provide all the appropriate hardware.

19" EIA Wall Mount Swing Rack 24SR, 36SR & 48SR

GENERAL INFORMATION

PART NO.	H	W	D	RMU
GL24SR	24.512"	20.562"	18.00"	12
GL36SR	36.763"	20.562"	18.00"	19
GL48SR	48.763"	20.562"	18.00"	26

The 24SR and 36SR frames are made of 14 Ga. Steel. All frames are 4"D with mounting front and rear.

Certifications: UL Listed 2416 and UL 60950-1

Construction: Steel

Finish: Black Textured Powder Coat

Rail Type: Tapped #12-24 mounting holes, front and rear

When installing a Great Lakes Swing Rack or Wall Mount to materials such as wood, cinder block, concrete, etc., please consider the load capacity within the swing rack or wall mount structure, and be certain to check with local authorities to determine the appropriate hardware requirements for these conditions. Because wall compositions may vary at different installation sites, Great Lakes cannot warrant the fitness or suitability of any installation instructions or installation hardware it may provide for swing rack or wall mount enclosures. Great Lakes hereby **DISCLAIMS ALL WARRANTIES, EXPRESS AND IMPLIED, INCLUDING THE IMPLIED WARRANTIES OF MERCHANTABILITY AND FITNESS FOR A PARTICULAR PURPOSE, REGARDING THE SUFFICIENCY, FITNESS OR SUITABILITY OF ANY INSTALLATION INSTRUCTIONS OR INSTALLATION HARDWARE GREAT LAKES MAY PROVIDE FOR SWING RACKS AND WALL-MOUNTED ENCLOSURES.** Great Lakes recommends that an experienced maintenance and/or technical person be consulted regarding the proper wall-mounting hardware and procedures to be used for the anticipated load capacity of the swing rack or wall mounted enclosure.

Product specifications are subject to change without prior notice.

PARTS LIST: 24SR, 36SR, 48SR

COMPONENT	QTY.
TOP AND BOTTOM BRACE	2
SWING FRAME ASSEMBLY	1
SIDE BRACE ASSEMBLY	2
REAR BRACE PANEL	1
#10-32 KEPS NUT WITH EXTERNAL TOOTH LOCK WASHER	4
#10-32 X 1/4" PHIL PAN HD SCREWS, TYPE 23, BLACK	8
#10-32 X 1/2" PHIL PAN HD SCREWS, TYPE 23, BLACK	50
1/4 - 20 X 3/4"L PHIL 82° FLAT HEAD SCREW W/NYLON LOCKING PELLET	2
BLACK NYLON SPACER (0.50 OD, 0.26 ID 0.187 TH)	2
INSTRUCTION MANUAL	1

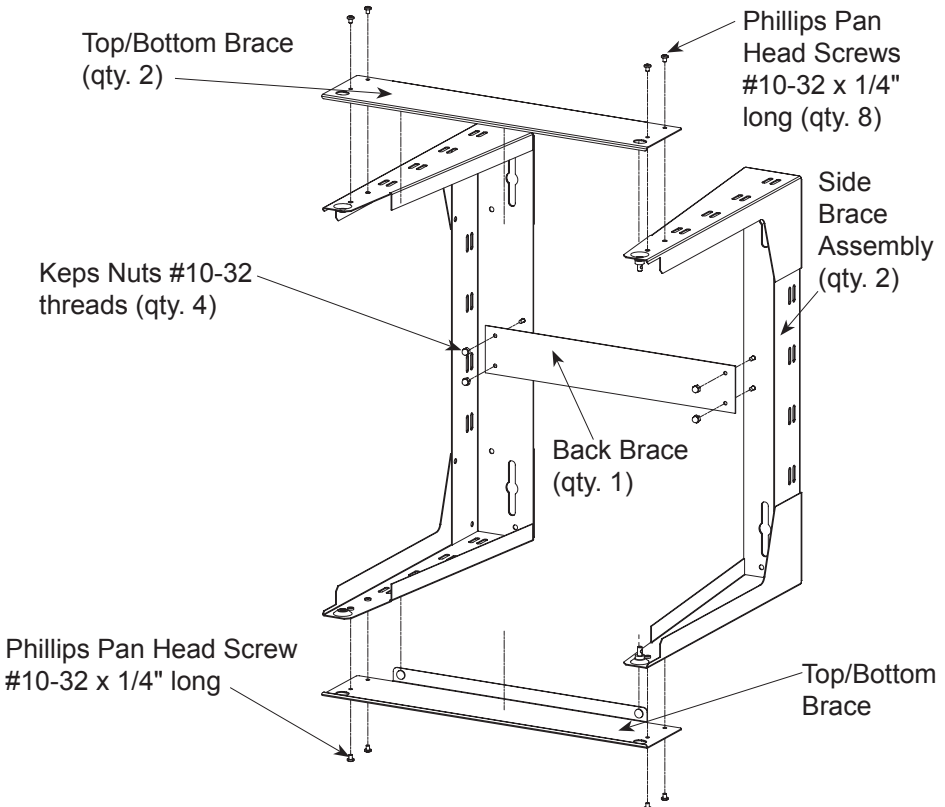
TOOLS REQUIRED: 3/8" NUT DRIVER, PHILLIPS HEAD SCREWDRIVER

Special Note: Item #7 used to mount equipment to swing rack.

STEP 1

Place the back brace onto the four threaded studs on the two side brace assemblies. Secure with four #10-32 keps nuts. Tighten with 3/8" nut driver.

Install the top/bottom braces to the outside of the two side brace assemblies with eight #10-32 x 1/4" Phillips Pan Head screws, but do not tighten screws. The large formed edge of the top/bottom braces mount towards the rear and the inside of the swing rack.

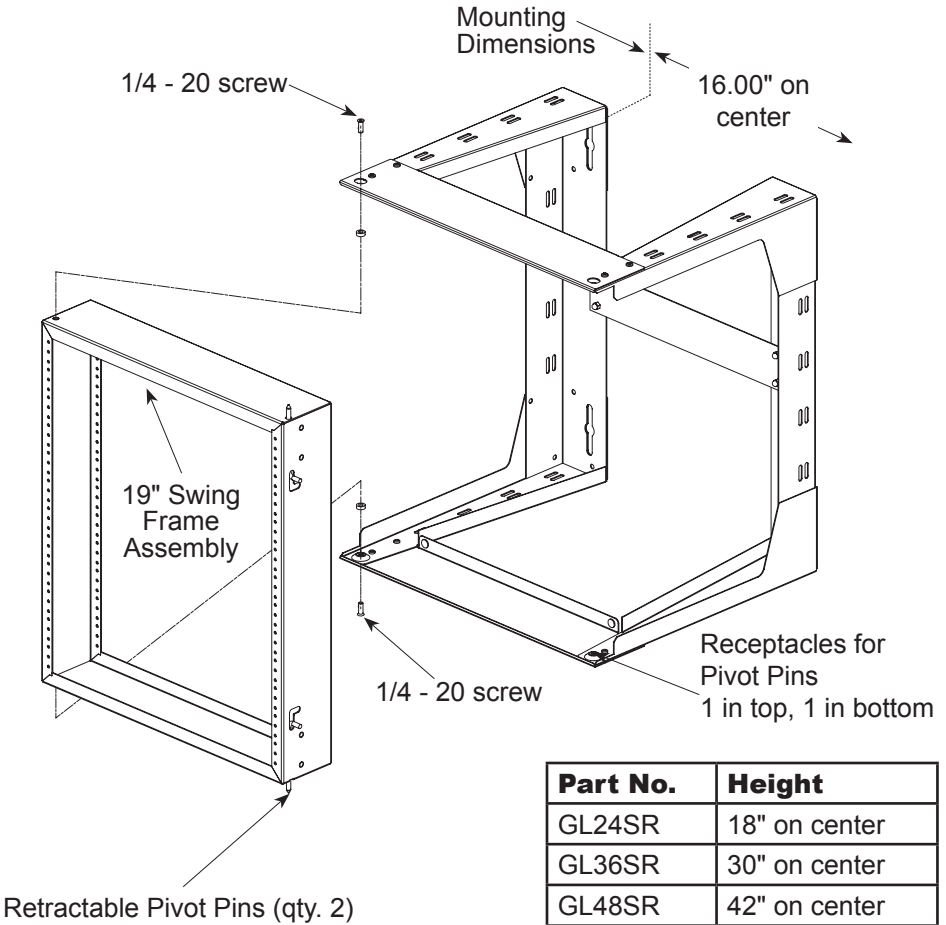


STEP 2

Mount the rear assembly to the wall with four lag screws (*These are not provided. The customer is to determine for type of wall*). Mounting locations are as shown.

Install the 19" EIA Swing Frame by retracting both pins. The pins can be locked out for ease of assembly by retracting the outside pin into the slot provided. The retractable pins are to be near the front of the Swing Frame when installing.

Release the lower pin then, align the top pin to the top receptacle and release pin. Place 1/4-20 Screw through the hole in bottom (opposite pin hinge). Assemble spacer on exposed threads on inside of swing rack and close Swing Frame. Tighten screw by screwing into pem nut in Swing Frame. Repeat screw/spacer assembly for top. Finally, tighten 8 screws on the top and bottom braces.



LEFT HAND ASSEMBLY SHOWN

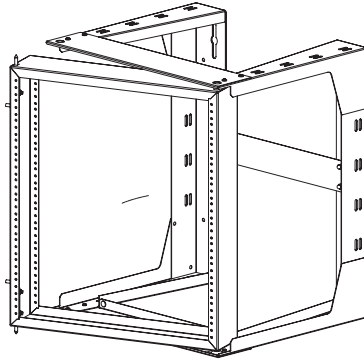
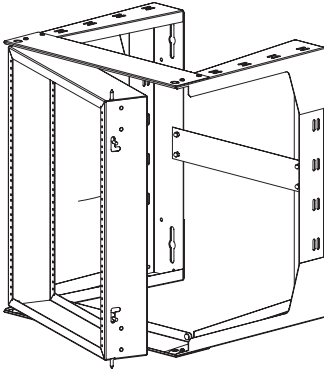
UNIVERSAL

The 19" EIA Swing Frame Rack can be hinged (retractable pin) on either side. Customer needs to determine which side is to open. To open, simply retract both pins (top and bottom) and then open the Swing Frame Rack similar to that of a door.

LEFT HAND

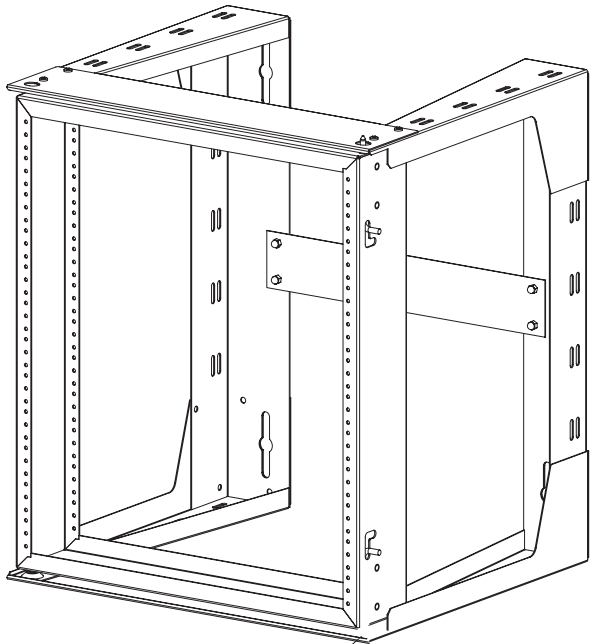
OR

RIGHT HAND



CAUTION:

When installing 19" EIA equipment, make sure both retractable pins (2) are secured into the rear section that has been mounted to the wall. Be sure all screws, nuts, and mounting hardware are tightened before loading with equipment.



Secure retractable pins into receptacle (2 locations)

GREAT LAKES
CASE & CABINET



Invest in Solid Engineering

Thank you for your business!

we pack
your
world!™



Corporate
Sponsor

ETSI Associate Member

FORM: #MS - 5.02-12, REV 5