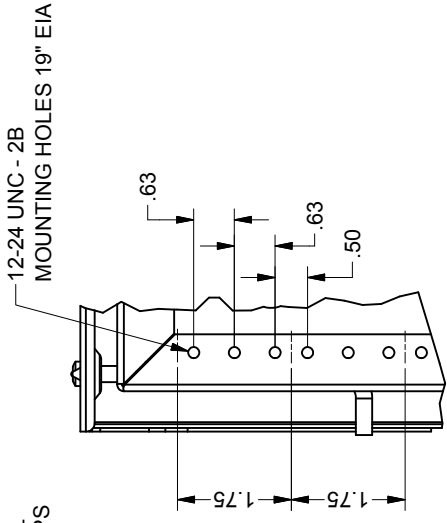
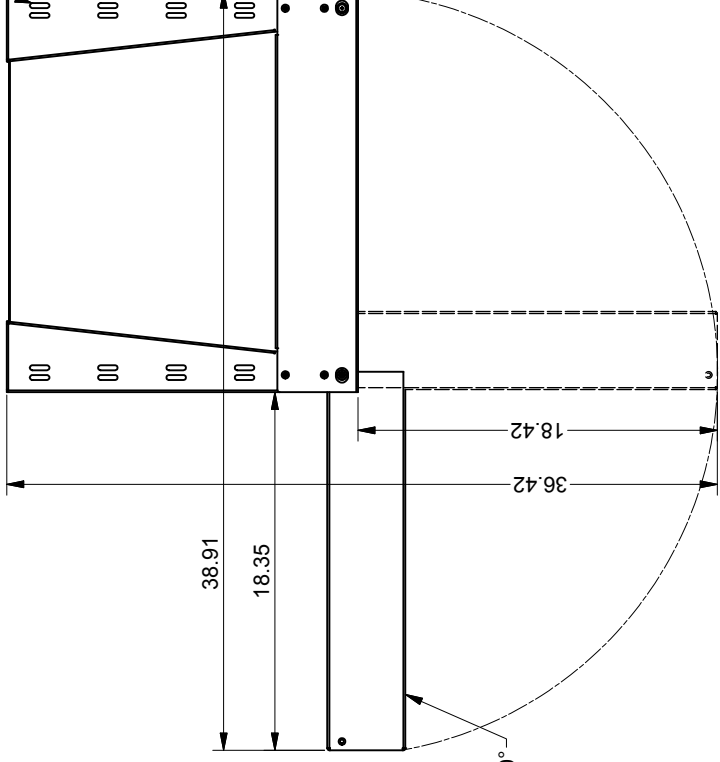


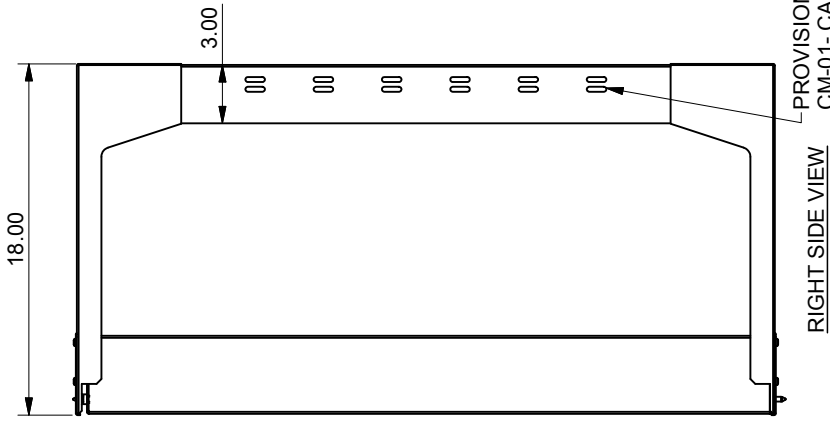
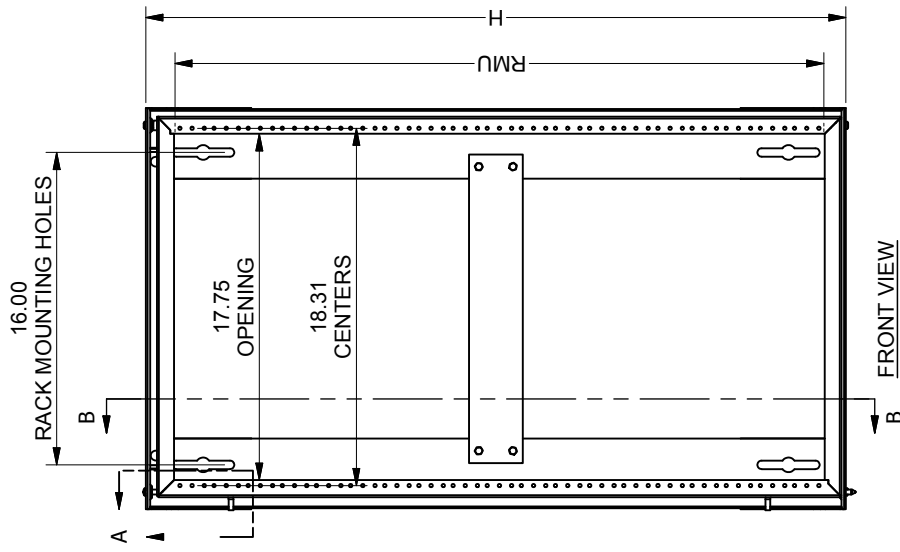
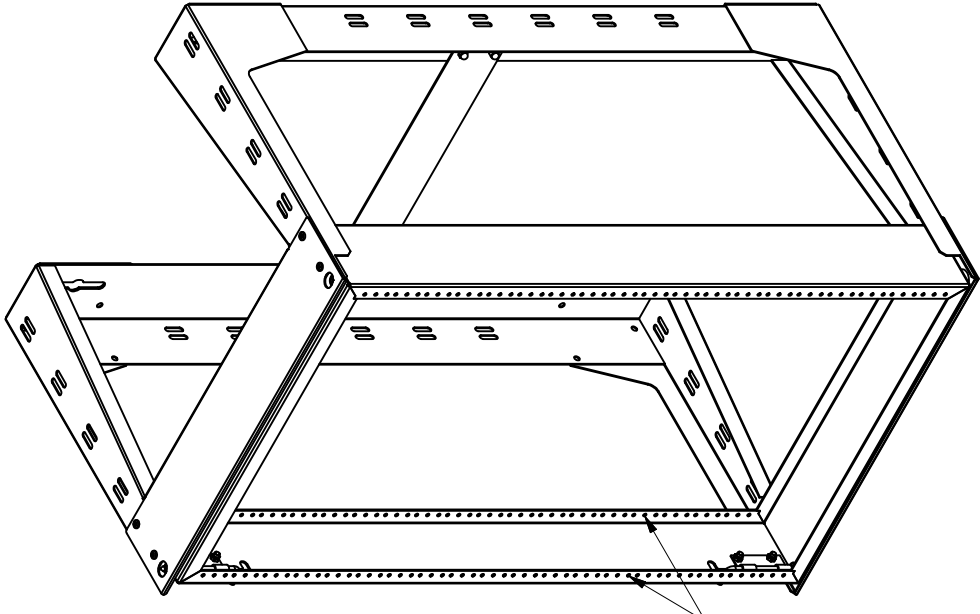
PROVISIONS FOR OPTIONAL  
CM-01- CABLE CINCH STRAPS



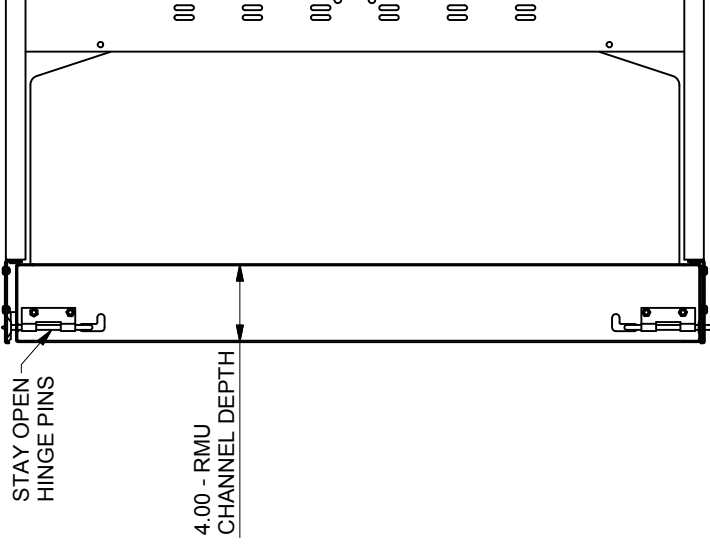
12-24 UNC - 2B  
MOUNTING HOLES 19" EIA



PROVISIONS FOR OPTIONAL  
CM-01- CABLE CINCH STRAPS



PROVISIONS FOR OPTIONAL  
CM-01- CABLE CINCH STRAPS



**SPECIFICATIONS:**

RACK SPACES : 19" EIA 310-E COMPLIANT - SEE CHART

WEIGHT CAPACITY : 100 lbs.

COLOR : DURABLE TEXTURED BLACK POWDER COATING

CERTIFICATIONS : UL 60950-1 STANDARD FOR I.T. & COMMUNICATIONS EQUIPMENT.

CONSTRUCTION : DOUBLE TAPPED, WELDED FRONT "C" CHANNEL, #14 GA. C.R.S.  
WELDED FRAME, #16 GA. C.R.S.  
REAR SUPPORT PLATE, #16 GA. C.R.S.

USABLE DEPTH: 16" FROM FRONT TAPPED FLANGE

HARDWARE : PACKAGE OF QTY-50; #12-24 SCREWS, INCLUDED.

PART NUMBER	H - HEIGHT	RMU - TOTAL
24SR	23.87	12
36SR	35.87	19
48SR	47.87	26

INTERPRET DRAWING PER ASME Y14.5M-1994  
DIMENSIONAL LIMITS APPLY  
AFTER APPLICATION OF FINISH  
DRAWING NOT TO SCALE  
TOLERANCE UNLESS OTHERWISE NOTED:  
ANGULAR +/- 1  
XXX +/- .010  
XX +/- .005  
X FOR REF ONLY

**NOTICE:**  
Use of this document is subject to a confidentiality and nondisclosure agreement with Great Lakes Case & Cabinet Co., Inc. (GLCC) and may not be reproduced, disclosed or utilized in whole or in part without prior written authorization from GLCC.

PART NUMBER: 1013250  
QTY PER UNIT: 1  
MATERIAL TYPE:  
MATERIAL GAUGE:  
FINISH: SEE NOTES  
DRAWN: MZ  
DATE: 1/11/2011  
CHECKED & APP. DATE: 1/11/2011  
WSS

TITLE  
**SWING RACKS**

GREAT LAKES CASE & CABINET CO., INC.  
P.O. BOX 551 EDINBORO, PA 16412  
PHONE (814) 734-7303 FAX (814) 734-3907  
E-MAIL glcc@greatlakes.com

DWG NO: 1013250  
REV: 0  
SHEET: 1 OF 1