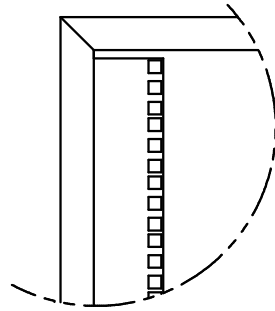


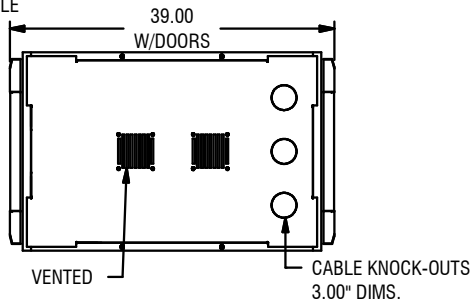
AXIS SERIES : 48.00 x 24.00 x 36.00
PART NO: CC048EDB1SBSV3

MOUNTING RAILS: 24U
 M6 CAGE-NUT RAILS, 45U
 (2) PAIR, 19" EIA-310-D COMPLIANT
 30 PC M6 HARDWARE INCLUDED
 ADJUSTABLE FRONT-BACK
 MAX. EQ DEPTH: 36.00"



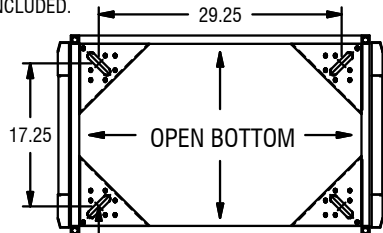
TOP VIEW

VENTED, 2-FAN READY
 FLUSH MOUNT, REMOVABLE
 (3x) CABLE KNOCK-OUTS

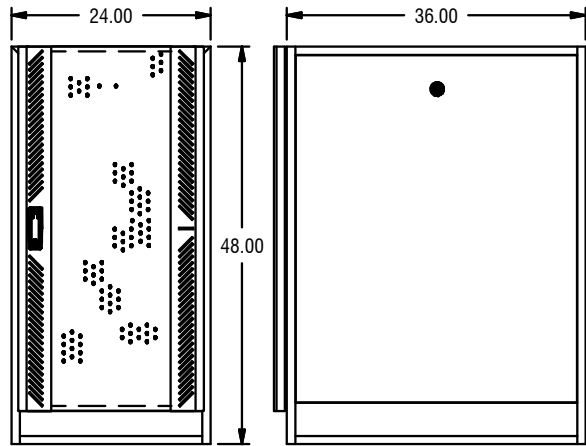


BOTTOM VIEW

FLOOR MOUNTING DIMENSIONS: 17.25 x 29.25
 (4) FLOOR LEVELERS INCLUDED.



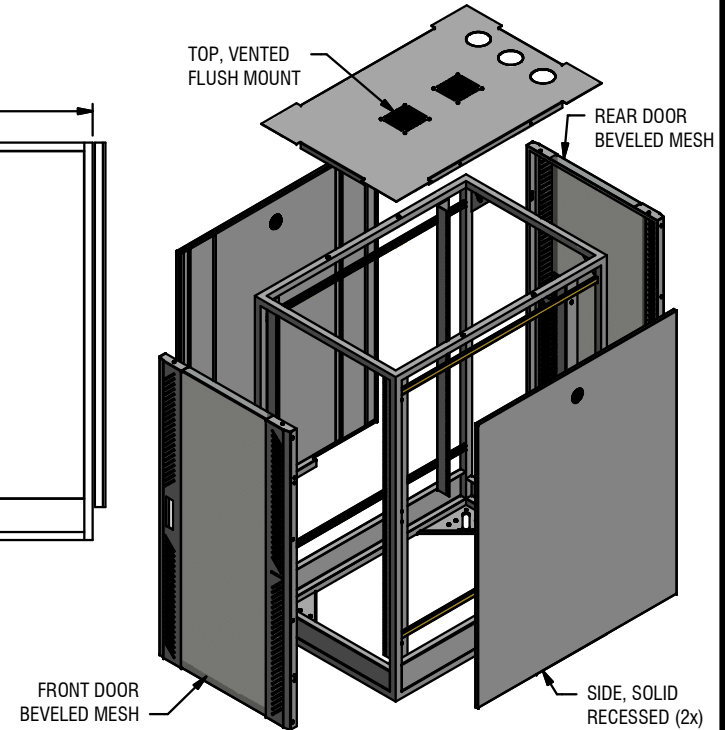
SEISMIC FLOOR MOUNTING PLATES
 OPTIONAL CASTER KIT AVAILABLE



FRONT VIEW

SIDE VIEW

REVISIONS			
REV	ECD	DATE	DESCRIPTION
--	--	--	--



DIMENSIONS

AXIS FRAME
 1 x 1 TUBULAR STEEL
 HEIGHT: 48.00
 WIDTH: 24.00
 DEPTH: 36.00

WT CAPACITY
 1000 LBS STATIC CAP.

MOUNTING RAIL

24U, L-RACK ANGLES
 CAGE-NUT, M6
 EIA SPACING, 5/8 x 5/8 x 1/2
 19" RACKABLE
 ADJUSTABLE, MAX. 34.00 DEPTH

SIDE PANEL

SOLID, RECESSED, LOCKING
 ZERO CLEARANCE COUPLING
 41.85H x 33.85D x 0.50D

DOORS F/B

HI-FLO MESH, 82% AIR-FLOW
 REINFORCED BEVELED DESIGN
 PREMIUM LOCK, KEYED ALIKE
 REMOVABLE, 180° SWING
 DIMS: 44.00H x 22.38W x 1.31D

TOP PANEL

VENTED, (2) FAN READY,
 FLUSH MOUNT, REMOVABLE
 CABLE KNOCK-OUTS

ACCESSORIES

ACCESSORIES SOLD SEPARATE

COLOR

BLACK TEXTURE

CLASSIFICATION

ZONE 4
 19" EIA-310-D COMPLIANT
 ROHS COMPLIANT



ALL INFORMATION ARE PROPRIETARY DATA OF DAMAC PRODUCTS, INC. ANY REPRODUCTION/USE IN ANY FORM MUST HAVE PRIOR WRITING AGREEMENT W/ DAMAC.
 TOLERANCE : .XXX2 .010 .XXX2 .030 .XXX2 .060 *(DEGREE) ±
 ALL DIM. ARE IN INCHES UNLESS OTHERWISE SPECIFIED

TITLE: CABINET, AXIS SERIES
 48.00 x 24.00 x 36.00
 W/CAGE-NUT RAILS

PART NO. CC048EDB1SBSV3
 DRAWN BY: TC
 DATE: 08.06.2010
 SHEET: 1 OF 1

CHECKED BY: CR
 SCALE: N/A
 REV: --

MATERIAL: N/A
 FINISH: EPOXY POWDER-COAT
 MAX BEND R=.030, RELIEF=.060 A/R.
 UNLESS OTHERWISE SPECIFIED