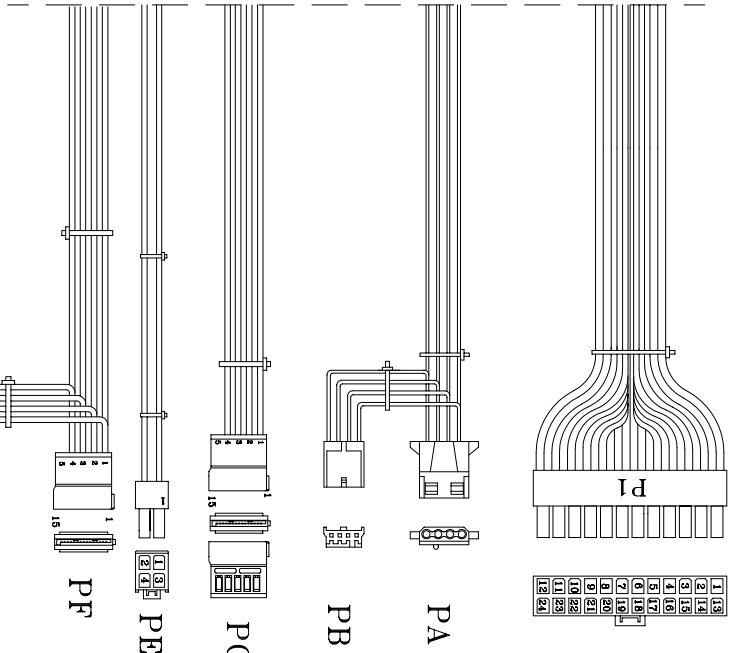
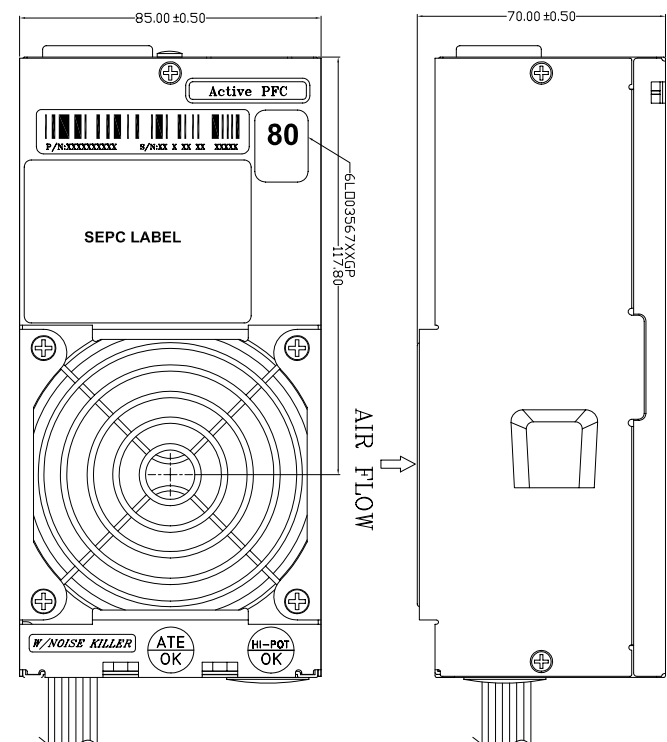
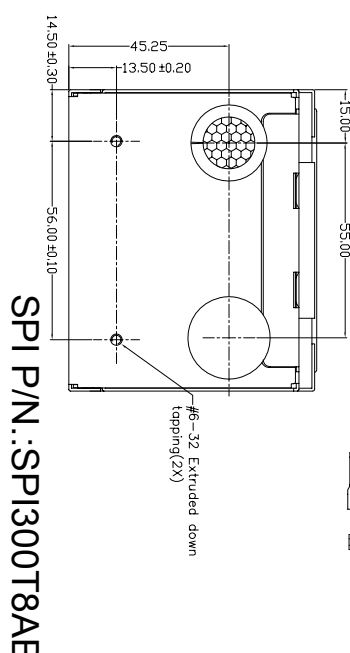
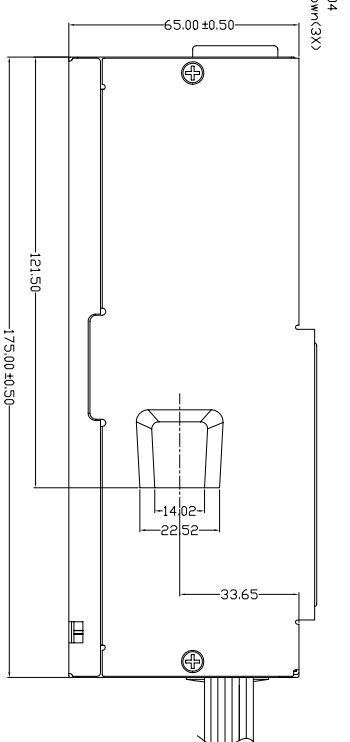
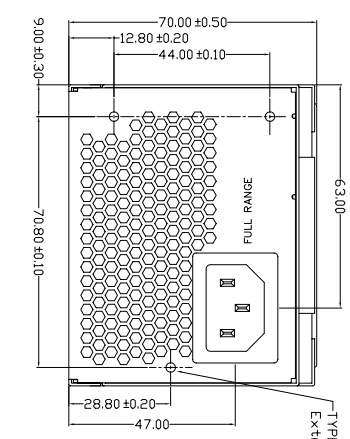




SPI Electronic Co.,

文文文文文文 文文文文文文 文文文文文文

REF. ID	PN	SIGNAL	WIRE COLOR	CONVERTOR	CABLE LENGTH
P1	1	+3.3VDC	ORANGE	MOLEX 18	160±30mm -10
	2	+3.3VDC	ORANGE	MOLEX 18	
	3	COM	BLACK	18	
	4	+5VDC	RED	18	
	5	COM	BLACK	18	
	6	+5VDC	RED	18	
	7	COM	BLACK	18	
	8	PM-OK	GRAY	24	
	9	PM-OK	GRAY	24	
	10	+5VDC	RED	18	
	11	+12V	YELLOW	18	
	12	+3.3VDC	ORANGE	18	
	13	PM-OK	BROWN	24	
	14	-12VDC	BLUE	24	
	15	COM	BLACK	18	
	16	PS-ON	GREEN	24	
	17	COM	BLACK	18	
	18	COM	BLACK	18	
	19	COM	BLACK	18	
PA	20	+5VDC	RED	18	AMP 280±30mm -10
	21	+5VDC	RED	18	
	22	+5VDC	RED	18	
	24	COM	BLACK	18	
PB	2	COM	BLACK	18	AMP 150±10mm or EQUIV.
	3	COM	BLACK	22	
	4	+5V	YELLOW	22	
	5	+5V	RED	22	
PC	1	+12V	YELLOW	18	MOLEX 280±30mm -10 or EQUIV.
	2	COM	BLACK	18	
	3	+5V	RED	18	
	4	COM	BLACK	18	
PF	1	+12V	YELLOW	18	MOLEX 330±30mm -10 or EQUIV.
	2	COM	BLACK	18	
	3	+12VDC	YEL./BLK	18	
	4	+12VDC	YEL./BLK	18	
PG	1	+12V	YELLOW	18	MOLEX 150±10mm or EQUIV.
	2	COM	BLACK	20	
	3	+5V	RED	20	
	4	COM	BLACK	20	



UNIT:mm

SPI P/N.:SPI300T8AB

MODEL NO. : SPI300T8AB	TITLE:ASSY	SHEET: 10F1	REV:01
R&D(1)	PE	DRAWN	DATE
			FEB. 06. 2009

Mechanical Drawing(外觀/機構圖)表單編號7000P-0111