



全漢企業股份有限公司

SPI Electronic Co., Ltd.

台灣桃園市建國東路 22 號  
TEL : 886-3-375-9888  
<http://www.fsp-group.com.tw>

No. 22, Jianguo E. Rd., Taoyuan City,  
Taiwan, R.O.C.  
FAX : 886-3-375-6966  
Email:sales@mail.fsp-group.com.tw

---

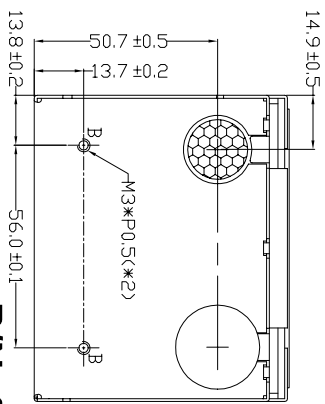
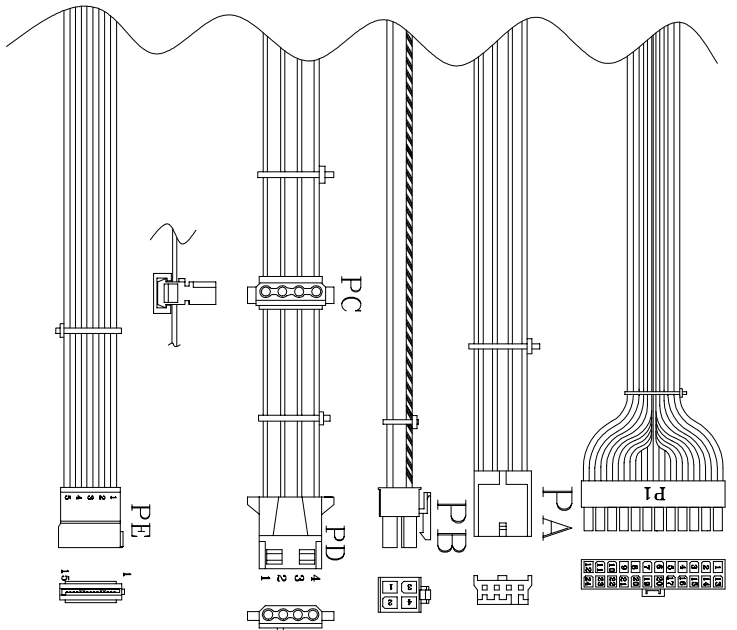
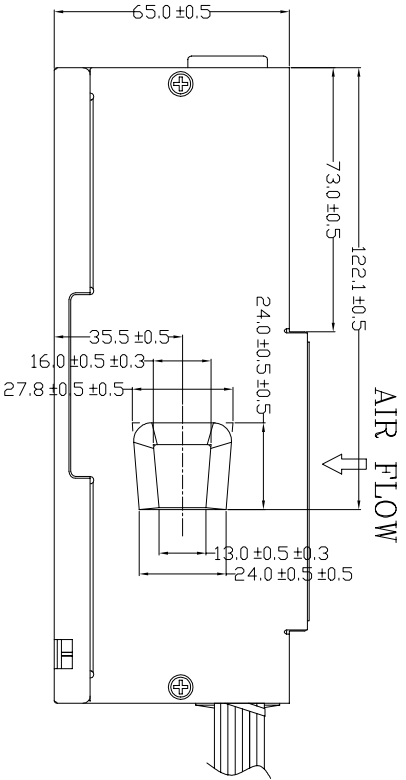
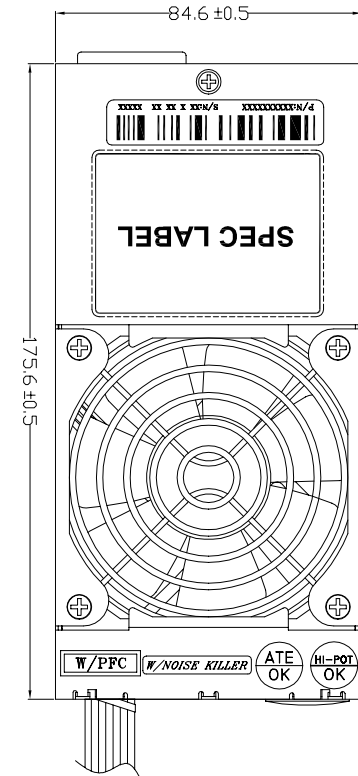
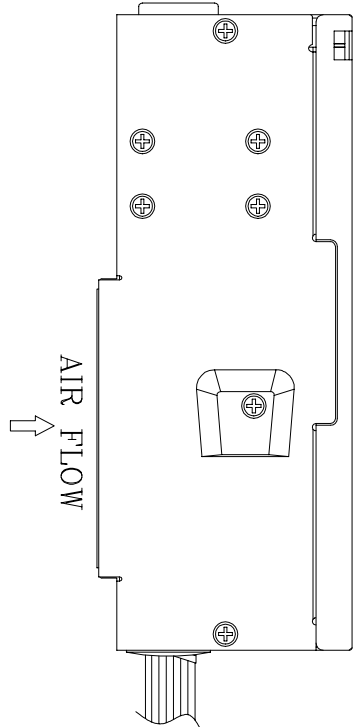
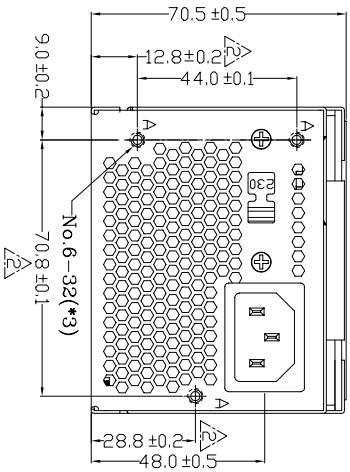
# MECHANICAL DRAWING



OAD05061651

Released Date:2006/4/26-11:30:53

REF. ID. No.	PIN No.	SIGNAL	WIRE COLOR	GAUGE	CONNECTOR TYPE	CABLE LENGTH
P1	1	+3.3VDC	ORANGE	20	MOLEX 39-01-2240 or EQUIV.	180+30mm -10
	2	+3.3VDC	ORANGE	20		
	3	COM	BLACK	20		
	4	+5VDC	RED	20		
	5	COM	BLACK	20		
	6	+5VDC	RED	20		
	7	COM	BLACK	20		
	8	PN-OK	GRAY	24		
	9	+5Vsb	PURPLE	20		
	10	+12VDC	YELLOW	20		
	11	+12VDC	YELLOW	20		
	12	+3.3VDC	ORANGE	20		
	13	3.3V	BROWN	24		
	14	-12VDC	BLUE	24		
	15	COM	BLACK	20		
	16	PS-ON	GREEN	24		
	17	COM	BLACK	20		
	18	COM	BLACK	20		
	19	COM	BLACK	20		
	20	COM	BLACK	20		
	21	+5VDC	RED	20		
	22	+5VDC	RED	20		
	23	+5VDC	RED	20		
	24	COM	BLACK	20		
PA	1	+12V	YELLOW	22	AMP 171822-4 or EQUIV.	280+30mm -10
	2	COM	BLACK	22		
	3	COM	BLACK	22		
	4	+5V	RED	22		
PB	1	COM	BLACK	20	MOLEX 39-01-2040 or EQUIV.	330±10mm
	2	COM	BLACK	20		
	3	+12V	YEL. BLK	20		
	4	+12V	YEL. BLK	20		
PC	1	+12V	YELLOW	20	MOLEX 15-24-2004 or EQUIV.	280+30mm -10
	2	COM	BLACK	20		
	3	COM	BLACK	20		
	4	+5V	RED	20		
PD	1	+12V	YELLOW	20	AMP 1-480424-0 or EQUIV.	150+30mm -10
	2	COM	BLACK	20		
	3	COM	BLACK	20		
	4	+5V	RED	20		
PF	1	+12V	YELLOW	20	15PIN SERIAL ATA	280+30mm -10
	2	COM	BLACK	20		
	3	+5V	RED	20		
	4	COM	BLACK	20		
	5	+3.3VDC	ORANGE	20		



P/N: 9PA2700600

MODEL NO. : FSP270-50SAV(PF)	TITLE: ASSY
APPROVE	PE
INTERIOR COUNTERSIGN:	
	DRAWN
	DATE
	APR. 26. 2006
	SHEET: 1DF1
	REV: 02

UNIT: mm

Mechanical Drawing(外觀/機構圖) 表單編號7000P-0111