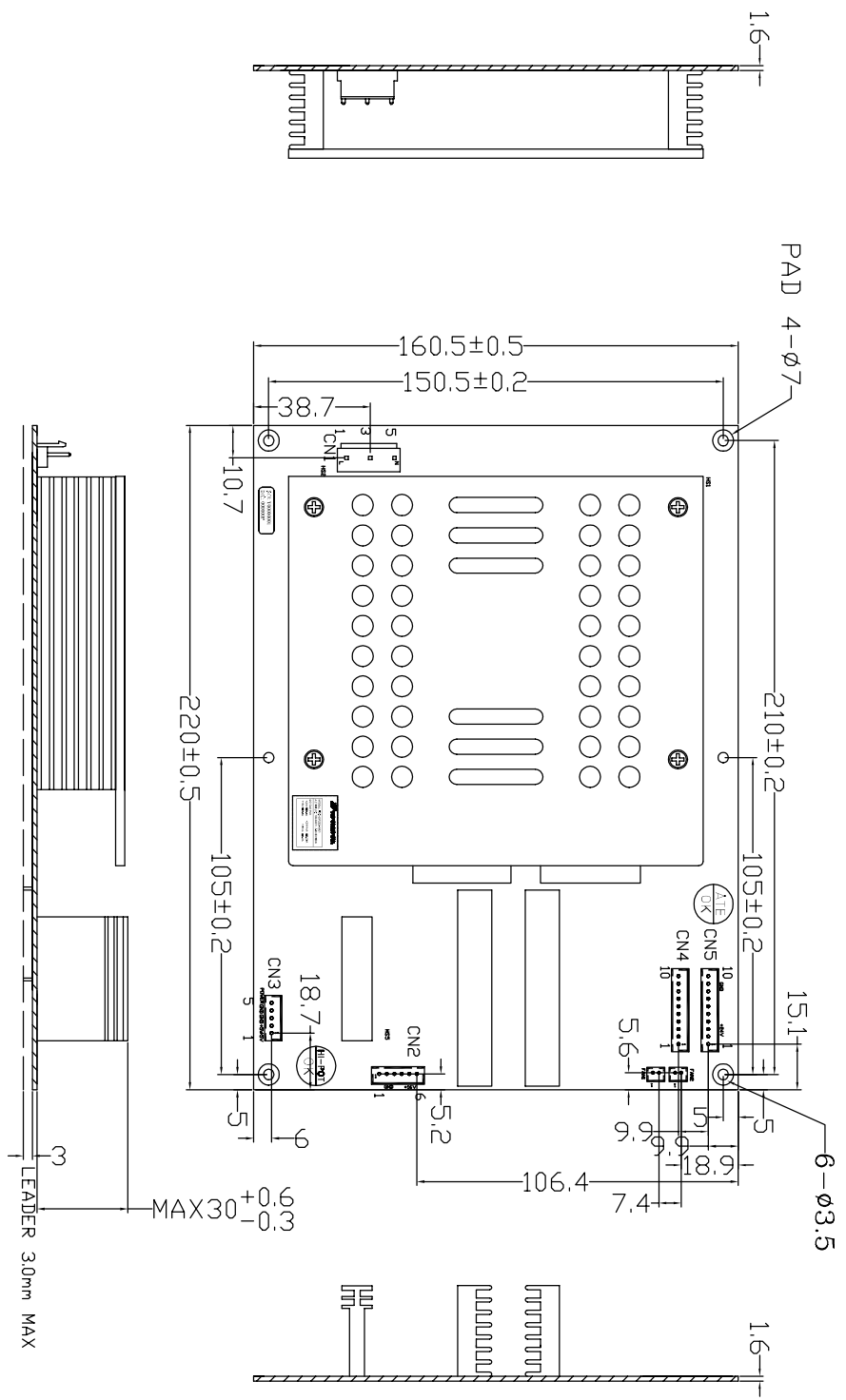


REF. ID.	PIN NO.	SIGNAL	CONNECTOR TYPE
CN1	1	L	JWT A3963WV2 -5P-A or EQUIV.
	2	N/A	
	3	FG	
	4	N/A	
	5	N	
CN4	1	+24V	JWT A2501WV2 -10P or EQUIV.
	2	+24V	
	3	+24V	
	4	+24V	
	5	+24V	
	6	GND	
	7	GND	
	8	GND	
	9	GND	
	10	GND	
CN5	1	+5V	JWT A2501WV2 -10P or EQUIV.
	2	+5V	
	3	+24V	
	4	+24V	
	5	+24V	
	6	GND	
	7	GND	
	8	GND	
	9	GND	
	10	GND	
CN2	1	GND	JWT A2501WV2 -6P or EQUIV.
	2	GND	
	3	GND	
	4	+16V	
	5	+16V	
	6	+16V	
FAN1	1	GND	JWT A2001WV2 -2P or EQUIV.
	2	+24V	
FAN2	1	GND	JWT A2001WV2 -2P or EQUIV.
	2	+24V	

UNIT:mm



P/N.: 90C2320100

MODEL NO. : FSP232-4M01	TITLE: DIMENSION	SHEET: 1 OF 1	REV: 01
R&D (TECH)	PE	DRAWN	DATE
林士發		石訓誠	JAN.24.2005
INTERIOR COUNTERSIGN:			