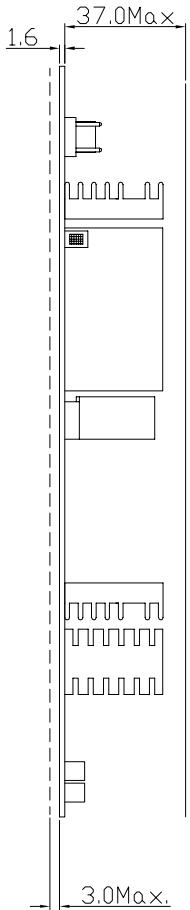
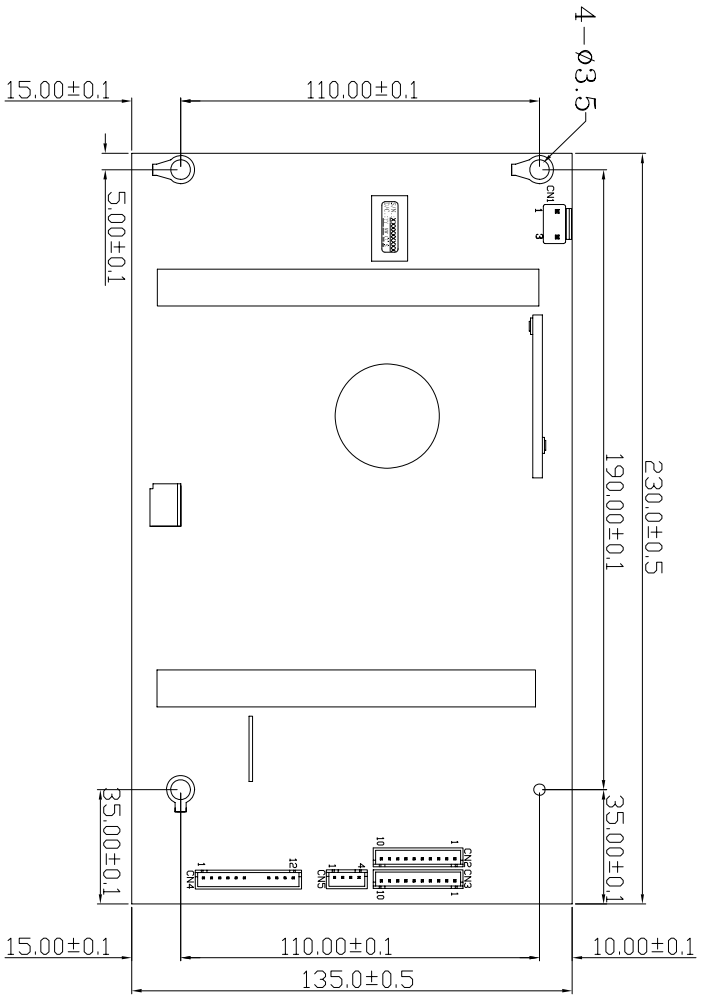


REF. ID.	PIN NO.	SIGNAL	CONNECTOR TYPE	
CN1	1	L	JWT A3963WV2 -3P or EQUIV.	
	2	N/A		
	3	N		
CN2	1	+24V	JWT A2501WV2 -10P or EQUIV.	
	2	+24V		
	3	+24V		
	4	+24V		
	5	+24V		
	6	GND		
	7	GND		
	8	GND		
	9	GND		
	10	GND		
CN3	1	+24V	JWT A2501WV2 -10P or EQUIV.	
	2	+24V		
	3	+24V		
	4	+24V		
	5	+24V		
	6	GND		
	7	GND		
	8	GND		
	9	GND		
	10	GND		
CN4	7	+24Vaudio	JWT A2501WV2 -12P or EQUIV.	
	8	+24Vaudio		
	9	+5V		
	10	+5V		
	11	GND		
	12	GND		
	1	+18V		JWT A2501WV2 -4P or EQUIV.
	2	+18V		
CN5	3	GND	JWT A2501WV2 -4P or EQUIV.	
	4	GND		

UNIT:mm



P/N::90C2250300

MODEL NO. : FSP225-6M01	TITLE: DIMENSION	SHEET: 1 OF 1	REV:00
R&D(9)	PE	DRAWN	DATE
INTERIOR COUNTERSIGN:			2006.08.28
			呼志明

Mechanical Drawing(外觀/機構圖)表單編號7000P-0111