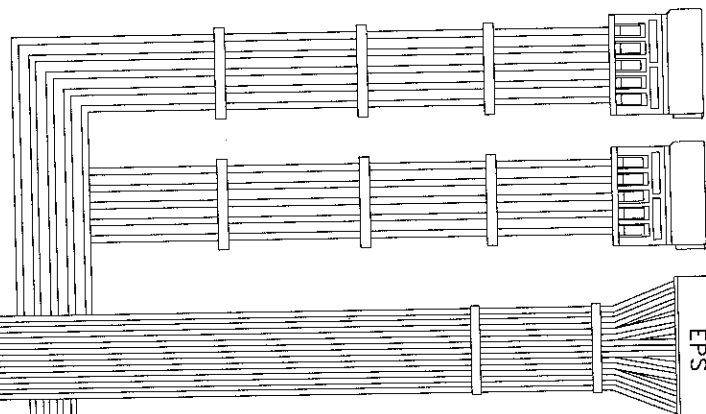


出圖章
FEB 20, 2005
開發部



1-3 ORANGE (+3.3 VDC)
4-6 BLACK (COM)
7-9 RED (+5 VDC)
10-12 BLACK (COM)
13-15 YELLOW (+12 VDC)

PM

1-3 ORANGE (+3.3 VDC)
4-6 BLACK (COM)
7-9 RED (+5 VDC)
10-12 BLACK (COM)
13-15 YELLOW (+12 VDC)

PN

ORANGE (+3.3 VDC) 1
ORANGE (+3.3 VDC) 2
BLACK (COM) 3
RED (+5 VDC) 4
RED (+5 VDC) 5
BLACK (COM) 6
RED (+5 VDC) 7
BLACK (COM) 8
GREY (PWR) 9
PURPLE (+5 VDC) 10
YELLOW (+12 VDC) 11
YELLOW (+12 VDC) 12
ORANGE (+3.3 VDC) 13
14 BLUE (-12 VDC)
15 BLACK (COM)
16 GREEN (PS-ON)
17 BLACK (COM)
18 BLACK (COM)
19 BLACK (COM)
20 WHITE (-5 VDC)
21 RED (+5 VDC)
22 RED (+5 VDC)
23 RED (+5 VDC)
24 BLACK (COM)

P24

BLACK (COM) 1
BLACK (COM) 2
BLACK (COM) 3
BLACK (COM) 4

PA

BLACK (COM) 1
BLACK (COM) 2

PB

YELLOW (+12V)
BLACK (GND)
BLACK (GND)
RED (+5V)

PC

YELLOW (+12V)
BLACK (GND)
BLACK (GND)
RED (+5V)

PD

YELLOW (+12V)
BLACK (GND)
BLACK (GND)
RED (+5V)

PE

YELLOW (+12V)
BLACK (GND)
BLACK (GND)
RED (+5V)

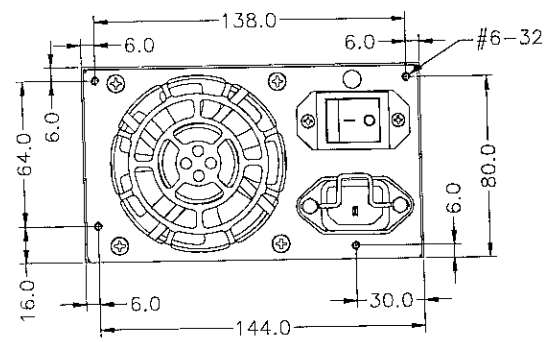
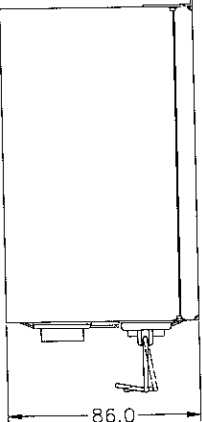
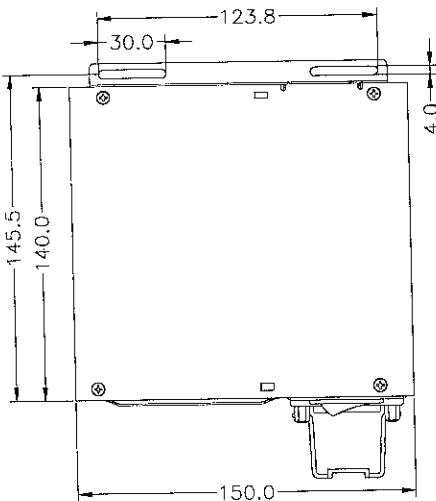
PF

YELLOW (+12V)
BLACK (GND)
BLACK (GND)
RED (+5V)

PG

YELLOW (+12V)
BLACK (GND)
BLACK (GND)
RED (+5V)

PH



POWER WIRE LENGTH							
P24	PA	PB	PC	PD	PE	PF	PG
550	550	550	550	200	550	200	550
PH	PI	PJ	PK	PL	PM	PN	
200	550	200	550	200	700	700	

TOLERANCES: ±20 UNIT:mm

容許公差:
TOLERANCES:
.XXX ±.025
.XX ±.100
.X ±.250

材料規格:
MATERIAL:
核准者:
APPROVE BY:
審核者:
CHECK BY:
繪圖者:
DRAW BY:

日期: FEB-24-2005
DATE:
日期: FEB-24-2005
DATE:
日期: FEB-24-2005
DATE:

新巨企業股份有限公司
ZIPPY TECHNOLOGY CORP.
POWER DIVISION

品名: HG2-6350P
MODEL NO:
料號: B001120087
PART NO:
圖號: HG20MW87
DRAW NO:
單位: mm
版次: B1
REV. NO:
規格: A1
SHEET: OF