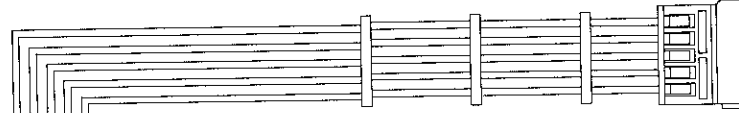
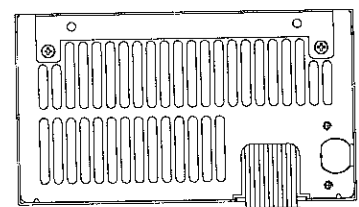




REVISIONS		日期 DATE
版次 REV.	配述 DESCRIPTION	
A2	修改固定夾型式	JAN-21-2005
A3	增加支架鎖上	FEB-24-2005

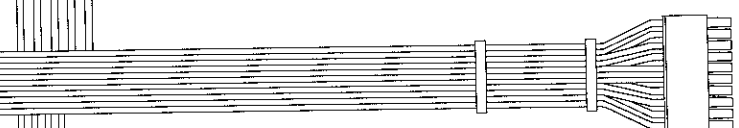
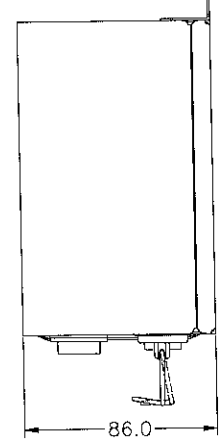
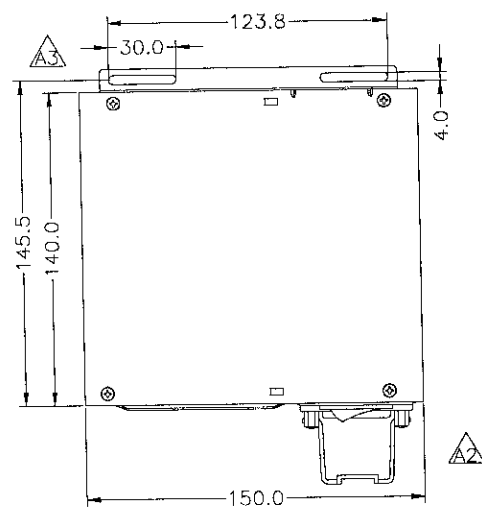


- 1-3 ORANGE (+3.3 VDC)
 - 4-6 BLACK (COM)
 - 7-9 RED (+5 VDC)
 - 10-12 BLACK (COM)
 - 13-15 YELLOW (+12 VDC)
- PC



- 1-3 ORANGE (+3.3 VDC)
 - 4-6 BLACK (COM)
 - 7-9 RED (+5 VDC)
 - 10-12 BLACK (COM)
 - 13-15 YELLOW (+12 VDC)
- PB

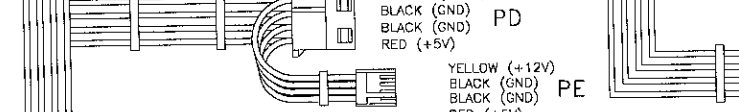
- ORANGE (+3.3 VDC) 1
- ORANGE (+3.3 VDC) 2
- BLACK (COM) 3
- RED (+5 VDC) 4
- BLACK (COM) 5
- RED (+5 VDC) 6
- BLACK (COM) 7
- GREY (PWR) 8
- PURPLE (+5 VDC) 9
- YELLOW (+12 VDC) 10
- 11 ORANGE (+3.3 VDC)
- 12 BLUE (-12 VDC)
- 13 BLACK (COM)
- 14 GREEN (PS-IN)
- 15 BLACK (COM)
- 16 BLACK (COM)
- 17 BLACK (COM)
- 18 WHITE (-5 VDC)
- 19 RED (+5 VDC)
- 20 RED (+5 VDC)



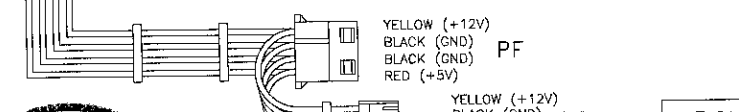
- BLACK (COM) 1
 - BLACK (COM) 2
 - 3 YELLOW (+12 VDC)
 - 4 YELLOW (+12 VDC)
- PA



- YELLOW (+12V)
 - BLACK (GND)
 - BLACK (GND)
 - RED (+5V)
- PH



- YELLOW (+12V)
 - BLACK (GND)
 - BLACK (GND)
 - BLACK (GND)
 - RED (+5V)
- PI



- YELLOW (+12V)
 - BLACK (GND)
 - BLACK (GND)
 - RED (+5V)
- PJ



- YELLOW (+12V)
 - BLACK (GND)
 - BLACK (GND)
 - RED (+5V)
- PK

- YELLOW (+12V)
 - BLACK (GND)
 - BLACK (GND)
 - RED (+5V)
- PD

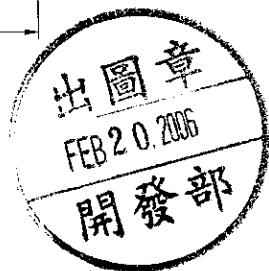
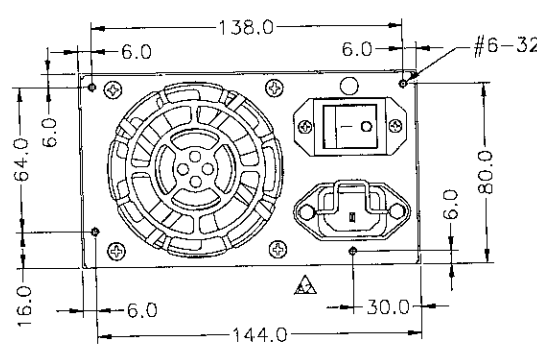
- YELLOW (+12V)
 - BLACK (GND)
 - BLACK (GND)
 - RED (+5V)
- PE

- YELLOW (+12V)
 - BLACK (GND)
 - BLACK (GND)
 - RED (+5V)
- PF

- YELLOW (+12V)
 - BLACK (GND)
 - BLACK (GND)
 - RED (+5V)
- PG

POWER WIRE LENGTH						
P20	PA	PB	PC	PD	PE	
550	550	700	700	550	200	
PF	PG	PH	PI	PJ	PK	
550	200	550	200	550	200	

TOLERANCES: ±20 UNIT:mm



容許公差:
TOLERANCES:
XXX ±.025
.XX ±.100
.X ±.250

投影法:
PROJECTION:
第三角法

材料規格:
MATERIAL:

核准者:
APPROVE BY: 黃永光

審核者:
CHECK BY: 李宗翰

繪圖者:
DRAW BY: 林

日期: FEB-24-2005

日期: FEB-24-2005

日期: FEB-24-2005

EMACS 新巨企業股份有限公司
ZIPPY TECHNOLOGY CORP.
POWER DIVISION

品名: HG2-6300P

料號: B001120067

圖號: HG20MW67 檔號: HG20MW67

單位: mm 版次: B1 規格: A1 編號: OF