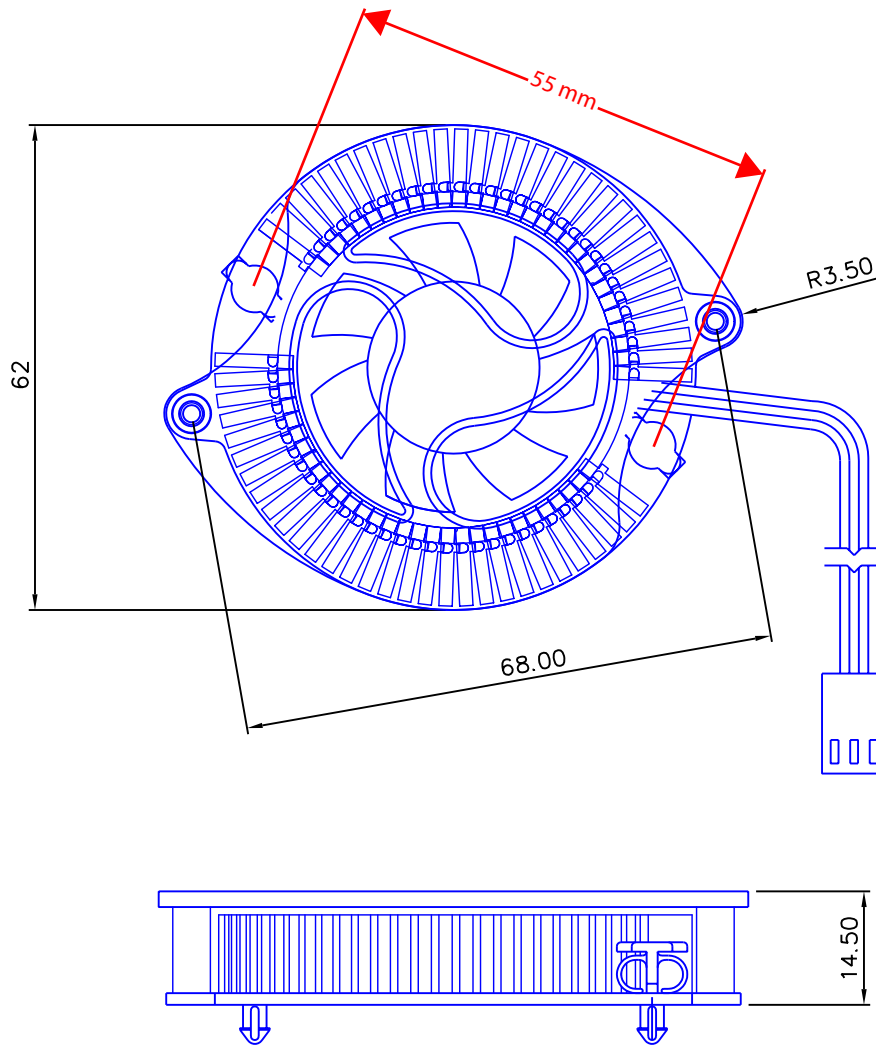


MODEL NO.: CCB-A4C

Heat Sink Material	C1100	Notes: 1.Heat Sink Color: COPPER 2.Wire length: 200(mm) 3.Wire Type: 1.Black 2.Red 4.Connector Type: 2510 3Pin 5.Customer:
CLIP MODEL	CLCS04	
Clip Material	NyLon 66	
Fan Dimension	ø40.0x10.0 (mm)	
Out Line Dimension	75.0x62.0x14.5 (mm)	
Heat Sink Dimension	75.0x61.0x11.5 (mm)	
Weight	77.0 (gm)	
Bearing Type	BALL BEARING	
RATED VOLTAGE	12V	
SPEED	6000 R.P.M	
AIR FLOW	5.9 CFM	
NOISE LEVEL	24.0 db(A)	
LIFE TIME	50,000/hrs	
SAFETY	UL/CUL/TUV/VDE/T MARK	



43185 Osgood Road Fremont, CA 94539
Tel: 510-668-0368 Fax: 510-668-0367
www.vantecusa.com