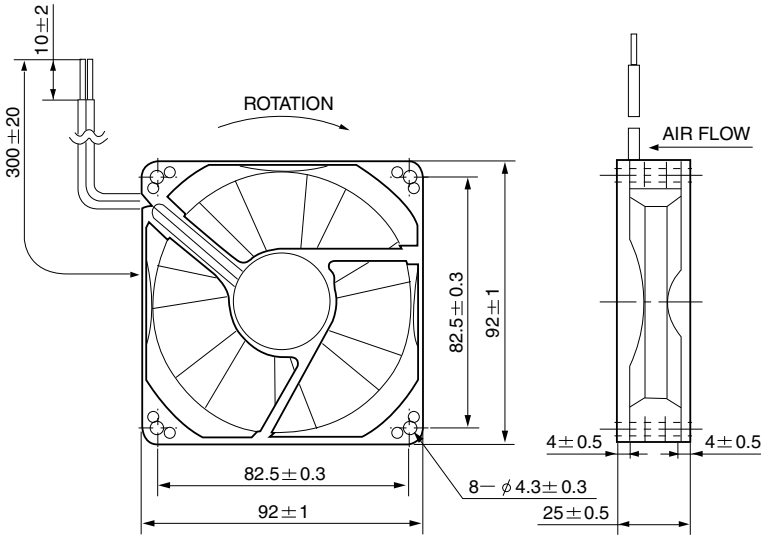


STEALTH Case Fan

Model: SF9225L



External Dimensions



Specifications

Fan Size:	92x92x25mm (3.62x3.62x0.98")
Rated Voltage:	12V
Rated Current:	0.07 Amp
Air Flow:	28 CFM
Rated Input Power:	0.84 W
Maximum Air Pressure:	0.06 Inch/H ₂ O
Noise:	20 dBA
Rated Speed:	1750 RPM
Bearing:	2 Ball Bearings

Performance Graph

