

General Specifications

Motor Protection:

Auto Restart/Polarity Protection

Insulation Resistance:

10M Ω or over with a DC500V Megger

Dielectric Withstand Voltage: AC 700V 1s

Allowable Ambient Temperature Range:

-10°C ~ +70°C (Operating)

-40°C ~ +70°C (Storage)

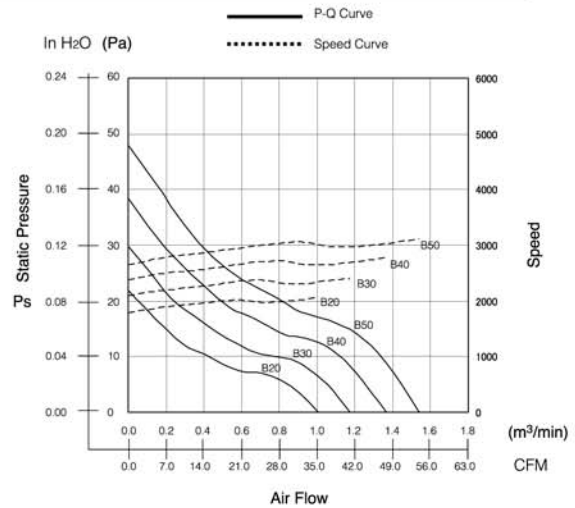
(non-condensing environment)

Expected Life

Failure Rate: 10%

25°C 100,000 Hours (B00/E00)

Characteristic Curves



Material

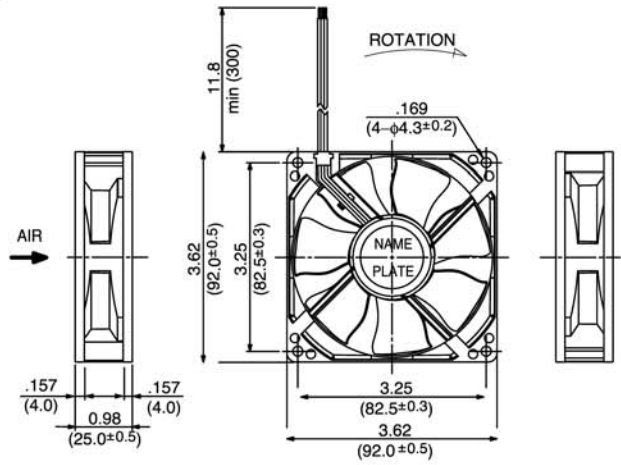
Casing : Plastic (Black) 94V-0

Impeller : Plastic (Black) 94V-0

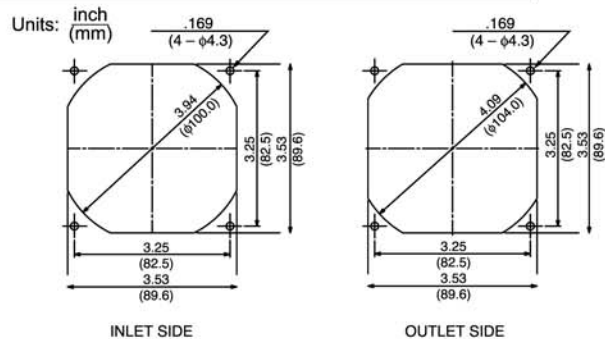
Bearing : Ball Bearing

Lead Wire : UL3385, AWG26, +Red, -Black

Outline



Panel Cut-Outs



Specifications

MODEL	Product No.	Rated Voltage	Operating Voltage	Current	Input Power	Speed	Max. Air Flow		Max. Static Pressure		Noise	Mass
		(V)	(V)	(A) ^{*1}	(W) ^{*1}	(min ⁻¹) ^{*1}	CFM ^{*1}	(m ³ /min) ^{*1}	in H ₂ O	(Pa) ^{*1}	(dB) ^{*1}	(g)
3610SB-04W-B20-	B/EXX	12	6 ~ 13.8	0.07	0.84	2050	35.7	1.01	0.09	21.5	25.0	95
3610SB-04W-B30-	B/EXX	12	6 ~ 13.8	0.10	1.20	2400	41.3	1.17	0.12	29.5	28.0	95
3610SB-04W-B40-	B/EXX	12	6 ~ 13.8	0.13	1.56	2750	48.4	1.37	0.15	38.4	32.0	95
3610SB-04W-B50-	B/EXX	12	6 ~ 13.8	0.15	1.80	3100	54.4	1.54	0.19	47.9	35.0	95
3610SB-05W-B20-	B/EXX	24	12 ~ 27.6	0.04	0.84	2050	35.7	1.01	0.09	21.5	25.0	95
3610SB-05W-B30-	B/EXX	24	12 ~ 27.6	0.05	1.20	2400	41.3	1.17	0.12	29.5	28.0	95
3610SB-05W-B40-	B/EXX	24	12 ~ 27.6	0.07	1.56	2750	48.4	1.37	0.15	38.4	32.0	95
3610SB-05W-B50-	B/EXX	24	12 ~ 27.6	0.08	1.80	3100	54.4	1.54	0.19	47.9	35.0	95

Rotation: Clockwise

Airflow Outlet: Air Out Over Struts

*1: Average Values in Free Air