

# Commonwealth Industrial Corporation

Leader in Fan Technology



HOME | ABOUT US | CONTACT US | PRODUCTS

- New Products
- AC Products
- DC Products
- DC Brushless Blower
- CPU COOLER
- DC Brushless Motor
- DC Motor
- DC Cross flow Fan
- Accessories

## AC AXIAL FAN / FP-108EX MARS/ FP-108E

### FP-108EX

172x150x51mm MARS

### FP-108E

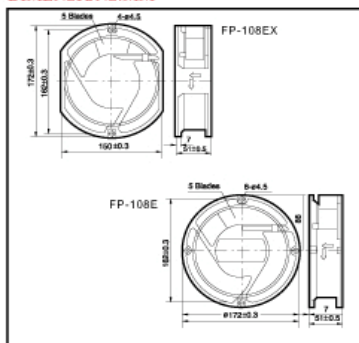
172Øx51mm



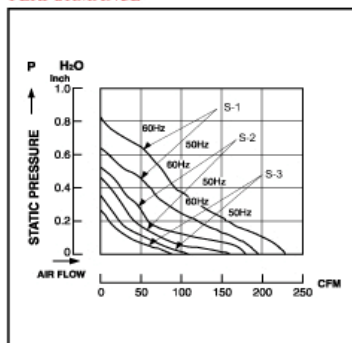
**DESIGN FEATURES**

- \*BEARING SYSTEM: SLEEVE BEARING & BALL BEARING
- \*IMPELLER: PLASTIC WITH FIBER GLASS FILLED UL 94V-0
- \*HOUSING: DIE CAST ALUMINUM PAINTED BLACK OR NATURAL COLOR
- \*MOTOR: SHADED POLE, IMPEDANCE PROTECTED
- \*CONNECTING: TERMINAL & WIRE LEADS
- \*SPEED: S-1 HIGH SPEED TYPE  
S-2 MEDIUM SPEED TYPE  
S-3 LOW SPEED TYPE
- \*OTHER VOLTAGE: 24, 48, 100, 380AC (50/60Hz) ARE AVAILABLE

**DIMENSIONS:MM**



**PERFORMANCE**



**SPECIFICATIONS**

Specifications are subject to change without notice

| MODEL NO.      | VOLT (VAC) | FREQUENCY (HZ) | AIR (CFM) | VOLUME (M <sup>3</sup> /MIN) | CURRENT (A) | POWER (W) | SPEED (RPM) | STATIC PRESSURE (INCH-H <sub>2</sub> O) | NOISE (dBA) |
|----------------|------------|----------------|-----------|------------------------------|-------------|-----------|-------------|---|-------------|
| FP-108EX (S-1) | 110/120    | 50/60          | 190/235   | 5.40/6.6                     | 0.50/0.45   | 38/35     | 2800/3100   | 0.63/0.79                               | 50/45       |
| FP-108E (S-1)  |            |                |           |                              |             |           |             |   |             |
| FP-108EX (S-1) | 220/240    | 50/60          | 190/235   | 5.40/6.6                     | 0.23/0.21   | 32/31     | 2800/3100   | 0.63/0.79                               | 50/45       |
| FP-108E (S-1)  |            |                |           |                              |             |           |             |   |             |
| FP-108EX (S-2) | 110/120    | 50/60          | 165/170   | 4.70/4.8                     | 0.42/0.37   | 29/30     | 2300/2400   | 0.51/0.55                               | 38/33       |
| FP-108E (S-2)  |            |                |           |                              |             |           |             |   |             |
| FP-108EX (S-2) | 220/240    | 50/60          | 165/170   | 4.70/4.8                     | 0.18/0.17   | 27/29     | 2300/2400   | 0.51/0.55                               | 38/33       |
| FP-108E (S-2)  |            |                |           |                              |             |           |             |   |             |
| FP-108EX (S-3) | 110/120    | 50/60          | 110/106   | 3.10/3.0                     | 0.35/0.33   | 22/21     | 2100/1900   | 0.40/0.31                               | 33/30       |
| FP-108E (S-3)  |            |                |           |                              |             |           |             |   |             |
| FP-108EX (S-3) | 220/240    | 50/60          | 110/106   | 3.10/3.0                     | 0.15/0.12   | 22/19     | 1900/1800   | 0.40/0.31                               | 33/30       |
| FP-108E (S-3)  |            |                |           |                              |             |           |             |   |             |