

14" & 21" Structured Media® Center Enclosures

APPLICATION

The 14" and 21" Structured Media Center enclosures make running cable and managing media both simple and cost-effective. Designed to provide a central distribution point for home or small office technologies, the enclosures accommodate the distribution of voice, data, video, audio, security, and control applications.



SPECIFICATION

The 14" and 21" Structured Media Center enclosures shall be one-piece (excluding cover) boxes, made of 20-gauge, white powder-coated steel. They shall flush mount with four wood screws (provided) on standard 16" center wall studs prior to drywall, or surface mount after drywall installation. The enclosure shall have a cutout to accommodate a single-gang J-Box power module, AC power module, or a Mini or Universal DC power supply. The enclosure shall include multiple knockouts on the top and bottom to support conduit up to 2" in diameter and facilitate cable routing and entry. The enclosure shall meet all applicable standards: be cULus Listed, comply with TIA-568-C and TIA-570-B requirements, and meet FCC part 68. The manufacturer shall provide a two-year limited product warranty. Product and performance warranties shall be extended to 25 years if installed by a Leviton Residential Network Installer.

FEATURES

- Cutout pattern in bottom accommodates the same AC power modules and DC power supplies as the 28" and 42" enclosures
- Mounting slots on the enclosure simplify adjustment for different sheetrock depths
- Sheetrock depth marks ($\frac{1}{2}$ ", $\frac{5}{8}$ ", $\frac{3}{4}$ ") on the enclosure simplify alignment
- Lance slots provide clean cable management within the enclosure
- Product may be surface- or recess-mounted
- Flush Mount Cover overlaps $\frac{3}{4}$ " to hide possible uneven drywall cuts around the enclosure
- Ships with a cardboard insert to help prevent drywall debris or paint over-spray from entering the enclosure during the rough-in stage of installation
- Keyhole slots on the cover for easier installation
- Multiple knockouts on the top and bottom support conduit up to 2" in diameter and facilitate cable routing and entry
- Self-healing foam grommets protect cable bundles and prevents dust from entering the enclosure

IMPORTANT NOTES

- Recess-mounting should precede drywall installation
- Enclosure not intended to be mounted in firewall applications

STANDARDS COMPLIANCE

- cULus Listed
- Complies with all TIA-568-C and TIA-570-B requirements
- Meets FCC part 68

PHYSICAL SPECIFICATIONS

Dimensions: 14" Enclosure: 14.0" H x 14.38" W x 3.63" D
14" Cover: 15.32" H x 15.62" W x 0.20" D
21" Enclosure: 14.0" H x 14.38" W x 3.63" D
21" Cover: 22.35" H x 15.62" W x 0.20" D

Materials: Enclosure: 20-gauge, white powder-coated steel
Cover: 18-gauge, white powder-coated steel
Capacity: Maximum of two full-sized distribution panels

WARRANTY INFORMATION

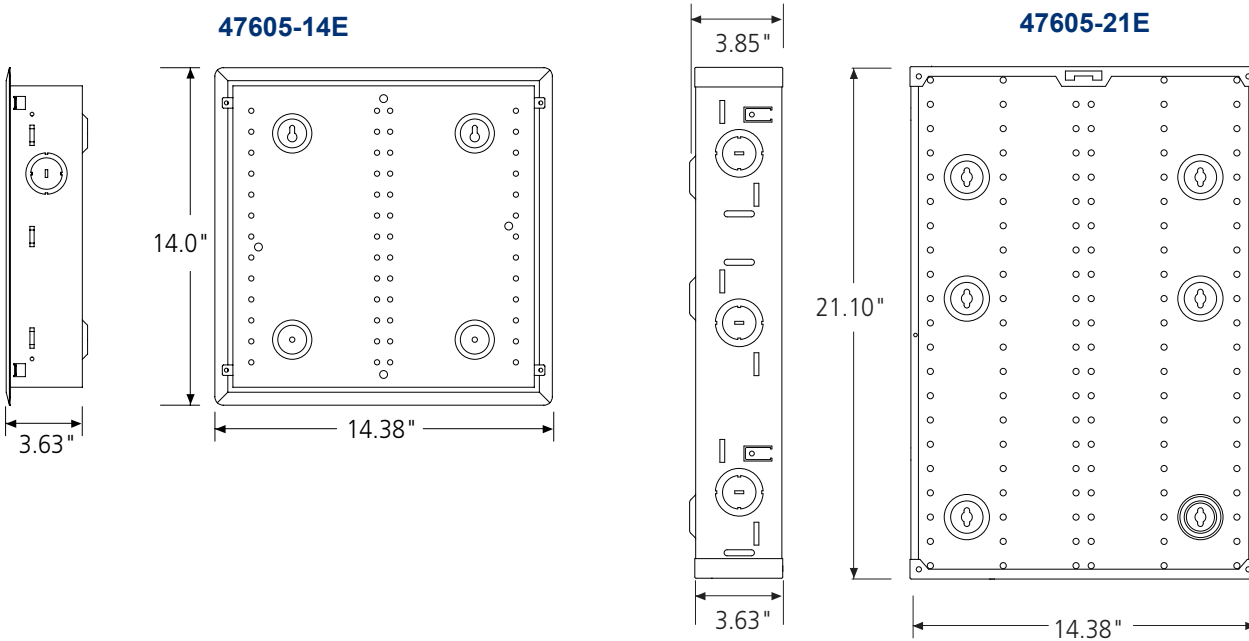
A two-year limited product warranty is available. Product and performance warranties shall be extended to 25 years if installed by a Leviton Residential Network Installer. For a copy of Leviton product warranties, visit www.leviton.com.

COUNTRY OF ORIGIN

Mexico

ELECTRONIC FILES

For CAD files, typical specs, or technical drawings (.DXF, .DWG, Visio), visit www.leviton.com.



47605-14x, 47605-21x

Leviton 14" Structured Media Enclosures & Covers

Description	Part No.
14" Enclosure and Flush Mount Cover, 15.32" (389.1 mm) H x 15.62" (396.7 mm) W x 3.68" (93.5 mm) D	47605-140
14" Enclosure only, 14.0" (355.6 mm) H x 14.38" (365.3 mm) W x 3.63" (91.4 mm) D	47605-14E
14" Multi Dwelling Unit Configuration A Enclosure and Flush Mount Cover, 15.32" (389.1 mm) H x 15.62" (396.7 mm) W x 3.68" (93.5 mm) D *	47605-1MG
14" Flush Mount Cover, 15.32" (389.1 mm) H x 15.62" (396.7 mm) W x 0.20" (5.1 mm) D	47605-14C
14" Economy Hinged Cover, 15.32" (389.1 mm) H x 15.62" (396.7 mm) W x 0.25" (6.4 mm) D	47605-14D
14" Premium Hinged Cover, 15.32" (389.1 mm) H x 15.62" (396.7 mm) W x 0.25" (6.4 mm) D	47605-14P
14" Enclosure only job packed, 6 per pack, 14.0" (355.6 mm) H x 14.38" (365.3 mm) W x 3.60" (91.4 mm) D	47605-14G
14" Flush Mount Cover only job packed, 6 per pack 15.32" (389.1 mm) H x 15.62" (396.7 mm) W x 0.20" (5.1 mm) D	47605-14B
21" Enclosure only, 21.10" (533.4 mm) H x 14.38" (365.3 mm) W x 3.63" (91.4 mm) D	47605-21E
21" Flush-Mount Cover only, 22.35" (567.7x mm) H x 15.62" (396.7 mm) W x 0.20" (5.1 mm) D	47605-21C
21" Premium Hinged Door, Vented, 22.35" (567.7x mm) H x 15.62" (396.7 mm) W x 0.25" (6.4 mm) D	47605-21S

*14" MDU enclosure Configuration A:

