

Section E Index

PBSS Series

NEMA 4X, 12 & 13 (30.5mm) Pushbutton
Wall-Mount.....E2

PBXD-SS Series

NEMA 4X, 12 & 13 (30.5mm) Pushbutton
Wall-Mount.....E4

BN4-SS Series

NEMA 4X JIC Clamp Cover Wall-Mount ..E6

BN4-CHSS Series

NEMA 4X JIC Continuous Hinge
Wall-Mount.....E8

BN4-AL Series

NEMA 4X Lift-Off Cover Wall-MountE10

BN4-CHAL Series

NEMA 4X JIC Continuous Hinge
Wall-Mount.....E12

WC-CSS Series

NEMA 12 Consolet Single Door.....E14

N412-SSC ULTIMATE Series

NEMA 4X Single Door Wall-Mount.....E16

N412-WSSC ULTIMATE Series

NEMA 4X Single Door With
Window Wall-Mount.....E19

N412-SS3PTC ULTIMATE Series

NEMA 4X Single Door Wall-Mount.....E21

N412-CSSST ULTIMATE Series

NEMA 4X Slope Top Single Door.....E24

SSN4-WF3PT Series

NEMA 4X Two Door Wall-MountE26

SSN4 Series

NEMA 4X Single Door Wall-Mount.....E28

ALN4 Series

NEMA 4X Single Door Wall-Mount.....E30

SSN4-3PT Series

NEMA 4X Single Door Wall-Mount.....E32

SSN4-3PTW Series

NEMA 4X Painted White Single Door
Wall-MountE34

SSN4D Series

NEMA 4X Two Door Floor-Mount.....E36

N4S-FSSS/FSSSA/FSDSS Series

NEMA 4X Single Door FreestandingE38

SSN4D-3PT Series

NEMA 4X Two Door Floor-Mount.....E40

WA-SSFSN43PT Series

NEMA 4X Single Door FreestandingE42

WA-SSFSDN43PT Series

NEMA 4X Two Door Freestanding.....E44

Non-Metallic

EnclosuresE50

AccessoriesE77

STAINLESS STEEL AND NON-METALLIC ENCLOSURES



**PBSS SERIES ENCLOSURES
NEMA 12, 4 & 4X (30.5MM) PUSHBUTTON WALL-MOUNT**



PBSS3

Industry Standards

UL 508, Types 4, 4X, 12 & 13
CSA Certified, Type 4, 4X & 12
NEMA/EEMAC Type 4, 4X, 12 & 13

 UL File E64791

 CSA File LL66078

FEATURES-SPECIFICATIONS

Applications

Designed to hold all standard brands of pushbuttons, switches and pilot lights. Provide protection from dust, dirt, oil and water. PBSS Series designed for areas where serious corrosion problems exist.

Construction

- Bodies and doors fabricated from 14 gauge 304 or 316L stainless steel
- Continuously welded seams ground smooth
- Closed cell oil resistant neoprene gasket

- External mounting plates, top and bottom of enclosure
- Captivated cover screws thread into sealed wells
- Standard "4-way" pushbutton holes accept all brands of oil-tight push buttons, switches and pilot lights
- Enclosures 9.50" x 6.25" x 3.00" and larger have internal detachable hinges to hold cover open during wiring, yet permit quick removal
- Grounding provisions provided

Finish

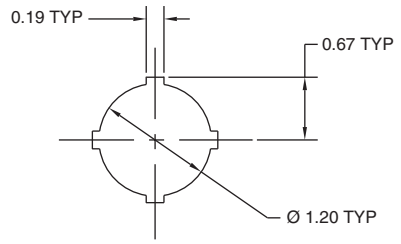
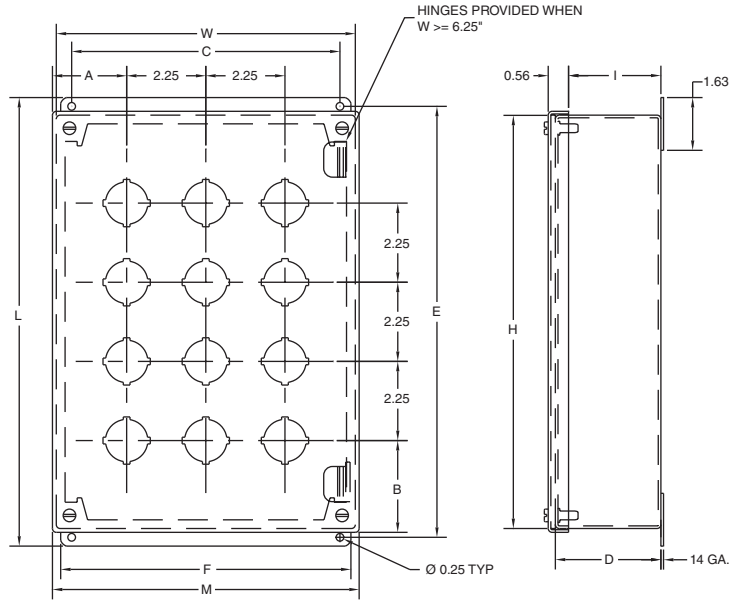
- Cover and outside of enclosure have a smooth grained finish

Accessories

- See pages H16-H27 for Painted Gray PB Series
- See page J4 for hole seals

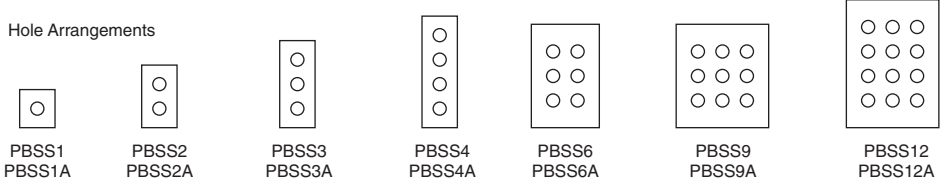
PBSS SERIES (30.5MM) PUSHBUTTON ENCLOSURES									
CATALOG NUMBER		BODY/DOOR STEEL GAUGE	ENCLOSURE SIZE H X W X D	MOUNTING C X E	OVERALL L X M	F	I	A	B
304 SS	316L SS								
PBSS1	PBSS1A	14/14	3.50x3.25x2.81 (89x83x71)	2.38x4.00 (60x102)	4.50x3.56 (114x90)	3.00 (76)	2.41 (61)	1.78 (45)	1.88 (48)
PBSS2	PBSS2A	14/14	5.75x3.25x2.81 (146x83x71)	2.38x6.25 (60x159)	6.75x3.56 (171x90)	3.00 (76)	2.41 (61)	1.78 (45)	1.88 (48)
PBSS3	PBSS3A	14/14	8.00x3.25x2.81 (203x83x71)	2.38x8.50 (60x216)	9.00x3.56 (229x90)	3.00 (76)	2.41 (61)	1.78 (45)	1.88 (48)
PBSS4	PBSS4A	14/14	10.25x3.25x2.81 (260x83x71)	2.38x10.75 (60x273)	11.25x3.56 (286x90)	3.00 (76)	2.41 (61)	1.78 (45)	1.88 (48)
PBSS6	PBSS6A	14/14	9.50x6.25x3.09 (241x159x79)	5.38x10.00 (137x254)	10.50x6.56 (267x167)	6.00 (152)	2.69 (68)	2.16 (55)	2.63 (67)
PBSS9	PBSS9A	14/14	9.50x8.50x3.09 (241x216x79)	7.63x10.00 (194x254)	10.50x8.81 (267x224)	8.25 (210)	2.69 (68)	2.16 (55)	2.63 (67)
PBSS12	PBSS12A	14/14	11.75x8.50x3.09 (298x216x79)	7.63x12.25 (194x311)	12.75x8.81 (324x224)	8.25 (210)	2.69 (68)	2.16 (55)	2.63 (67)

**PBSS SERIES ENCLOSURES
NEMA 12, 4 & 4X (30.5MM) PUSHBUTTON WALL-MOUNT**



Standard 4-Way Pushbutton

Hole Arrangements



PBXD - SS SERIES ENCLOSURES
NEMA 4, 4X, 12 & 13 (30.5MM) PUSHBUTTON WALL-MOUNT



PBXD3SS

Industry Standards

UL 508, Types 4, 4X, 12 & 13
 CSA Certified, Type 4, 4X & 12
 NEMA/EEMAC Type 4, 4X, 12 & 13
 JIC EL-1-71

 UL File E64791

 CSA File LL66078

FEATURES-SPECIFICATIONS

Applications

Designed to hold 30.5mm oil-tight pushbuttons, switches, and pilot lights. Provide protection against dirt, dust, oil, and water. Extra deep design accommodates additional contact blocks for pushbuttons.

Construction

- Bodies and doors fabricated from 14 gauge 304 stainless steel
- Continuously welded seams ground smooth
- Closed cell oil resistant neoprene gasket

- External mounting plates, top and bottom of enclosure
- Captivated cover screws thread into sealed wells
- Standard "4-way" pushbuttons holes accept all brands of oil-tight push buttons, switches and pilot lights
- 6.00" x 4.00" x 4.75" and larger have internal detachable hinges to hold cover open during wiring, yet permit quick removal
- Grounding provisions provided

Finish

- Cover and outside of enclosure have a smooth grained finish

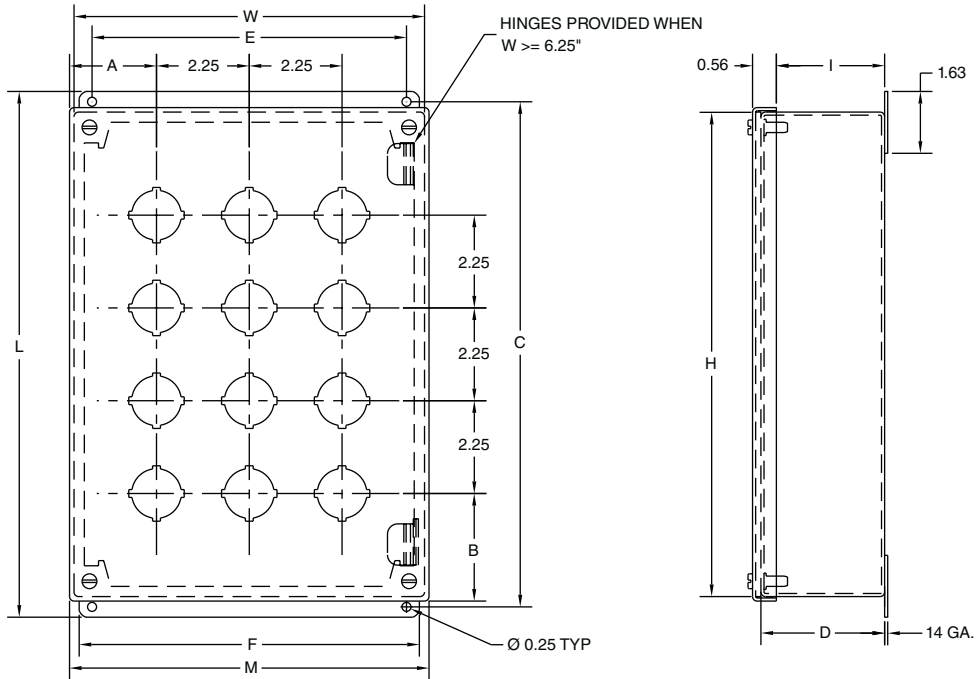
Accessories

- See pages H16-H27 for Painted Pushbutton enclosures
- See page J4 for hole seals

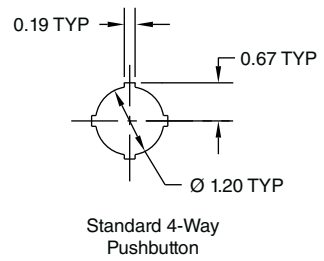
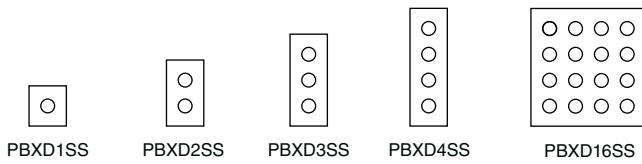
PBXD-SS SERIES STAINLESS PUSHBUTTON ENCLOSURES								
CATALOG NUMBER	BODY/DOOR STEEL GAUGE	ENCLOSURE SIZE H X W X D	MOUNTING E X C	OVERALL L X M	F	I	A	B
PBXD1SS	14/14	4.00x4.00x4.81 (102x102x122)	3.13x4.50 (79x114)	5.00x4.31 (127x110)	3.75 (95)	4.41 (112)	2.19 (56)	2.16 (55)
PBXD2SS	14/14	6.00x4.00x4.81 (152x102x122)	3.13x6.50 (79x165)	7.00x4.31 (178x110)	3.75 (95)	4.41 (112)	2.19 (56)	2.03 (52)
PBXD3SS	14/14	8.00x4.00x4.81 (203x102x122)	3.13x8.50 (79x216)	9.00x4.31 (229x110)	3.75 (95)	4.41 (112)	2.19 (56)	1.97 (50)
PBXD4SS	14/14	10.00x4.00x4.81 (254x102x122)	3.13x10.50 (79x267)	11.00x4.31 (279x110)	3.75 (95)	4.41 (112)	2.19 (56)	1.78 (45)
PBXD16SS	14/14	11.75x10.75x4.81 (298x273x122)	9.88x12.25 (251x311)	12.75x11.06 (324x281)	11.50 (292)	4.41 (112)	2.19 (56)	2.61 (66)

**PBXD - SS SERIES ENCLOSURES
NEMA 12 & 13 (30.5MM) PUSHBUTTON WALL-MOUNT**

E5



PBXD Hole Arrangements



**BN4 - SS SERIES ENCLOSURES
NEMA 4X JIC CLAMP COVER WALL-MOUNT**


BN4060604SS

Industry Standards

 UL 50, Types 4, 4X, 12 & 13
(6 X 6 X 4 & above)

 UL 508, Types 4, 4X, 12 & 13 (6 X 4 X
3 & smaller)

CSA Certified, Types 4 & 12

NEMA/EEMAC Type 4, 4X, 12 & 13

JIC EL-1-71

 UL Files E23553, E64791

 CSA File LL66078

FEATURES-SPECIFICATIONS
Applications

Provides unmatched protection for housing electrical components in highly corrosive environments. This enclosure is used in indoor and outdoor settings that are frequently wet or have constant exposure to water, other liquids, or contaminants.

Construction

- Bodies and doors fabricated from 16 gauge type 304 or 316L stainless steel
- Continuously welded seams ground smooth, less knockouts or holes

- Sealed with poured in place polyurethane gasket
- External mounting plates, top and bottom of enclosure
- Weldnuts are provided on models 6.00" x 4.00" and larger to secure optional panel
- Stainless steel screws and clamps on four sides of cover assure watertight seal
- Grounding provisions provided
- Optional panels and terminal kits must be ordered separately

Finish

- Cover and outside of enclosure have a smooth grained finish
- Optional back panels are white polyester powder or grained finish stainless steel
- Optional "G" panels have a conductive finish (See page I2)

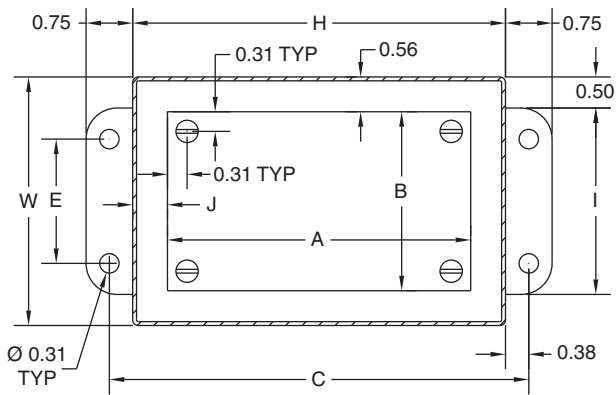
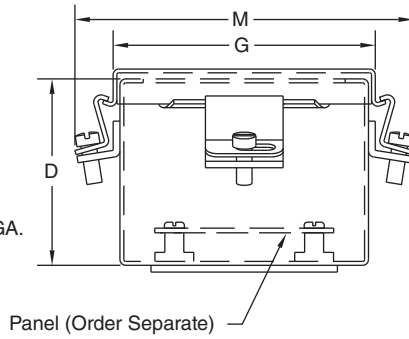
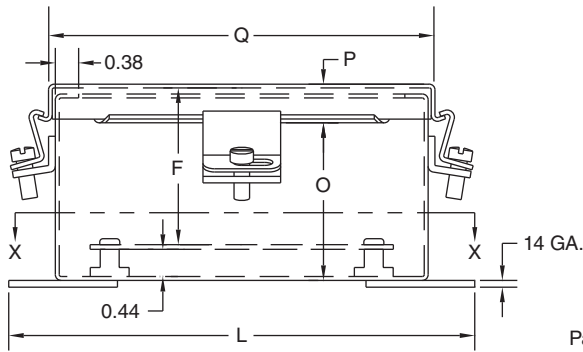
Accessories

- Back panels (reference tables)
- See pages J1-J22

BN4-SS SERIES JIC CLAMP COVER STAINLESS ENCLOSURES																	
CATALOG NUMBER		ENCLOSURE SIZE H X W X D	BACK PANEL CATALOG NUMBER*			BACK PANEL SIZE A X B	MOUNTING C X E	OVERALL L X M	F	G	I	J	K	N	O	P	Q
304 SS	316L SS		WHITE	304 SS	"G"												
BN4040403SS	BN4040403SSA	4.00x4.00x3.00 (102x102x76)	—	—	—	—	4.75x2.00 (121x51)	5.50x5.63 (140x143)	2.53 (64)	4.31 (109)	3.00 (76)	—	1.38 (35)	1.38 (35)	2.53 (64)	0.63 (16)	4.31 (110)
BN4060403SS	BN4060403SSA	6.00x4.00x3.00 (152x102x76)	P0604	P0604SS	P0604G	4.88x2.88 (124x73)	6.75x2.00 (171x51)	7.50x5.63 (191x143)	2.53 (64)	4.31 (109)	3.00 (76)	0.56 (14)	1.38 (35)	2.38 (60)	2.53 (64)	0.63 (16)	6.31 (160)
BN4060604SS	BN4060604SSA	6.00x6.00x4.00 (152x152x102)	P0606	P0606SS	P0606G	4.88x4.88 (124x124)	6.75x4.00 (171x102)	7.50x7.63 (191x194)	3.53 (90)	6.31 (160)	5.00 (127)	0.56 (14)	2.38 (60)	2.38 (60)	3.53 (90)	0.63 (16)	6.31 (160)
BN4080604SS	BN4080604SSA	8.00x6.00x4.00 (203x152x102)	P0806	P0806SS	P0806G	6.88x4.88 (175x124)	8.75x4.00 (222x102)	9.50x7.63 (241x194)	3.53 (90)	6.31 (160)	5.00 (127)	0.56 (14)	2.38 (60)	3.38 (86)	3.53 (90)	0.63 (16)	8.31 (211)
BN4100804SS	BN4100804SSA	10.00x8.00x4.00 (254x203x102)	P1008	P1008SS	P1008G	8.88x6.88 (226x175)	10.75x6.00 (273x152)	11.50x9.63 (292x244)	3.53 (90)	8.31 (211)	7.00 (178)	0.56 (14)	3.38 (86)	1.50 (38)	3.53 (90)	0.63 (16)	10.31 (262)
BN4121005SS	BN4121005SSA	12.00x10.00x5.00 (305x254x127)	P1210	P1210SS	P1210G	10.88x8.88 (276x226)	12.75x8.00 (324x203)	13.50x11.63 (343x295)	4.53 (115)	10.31 (262)	9.00 (229)	0.56 (14)	2.00 (51)	3.00 (76)	4.53 (115)	0.63 (16)	12.31 (313)
BN4141206SS	BN4141206SSA	14.00x12.00x6.00 (356x305x152)	P1412	P1412SS	P1412G	12.88x10.88 (327x276)	14.75x10.00 (375x254)	15.50x13.63 (394x346)	5.53 (141)	12.31 (313)	11.00 (279)	0.56 (14)	2.00 (51)	3.00 (76)	5.53 (141)	0.63 (16)	14.31 (364)
BN4161406SS	BN4161406SSA	16.00x14.00x6.00 (406x356x152)	P1614	P1614SS	P1614G	14.88x12.88 (378x327)	16.75x12.00 (425x305)	17.50x15.63 (445x397)	5.53 (141)	14.31 (363)	13.00 (330)	0.56 (14)	3.50 (89)	1.50 (38)	5.53 (141)	0.63 (16)	16.31 (414)

*Back panels must be ordered separately.

**BN4 - SS SERIES ENCLOSURES
NEMA 4X JIC CLAMP COVER WALL-MOUNT**

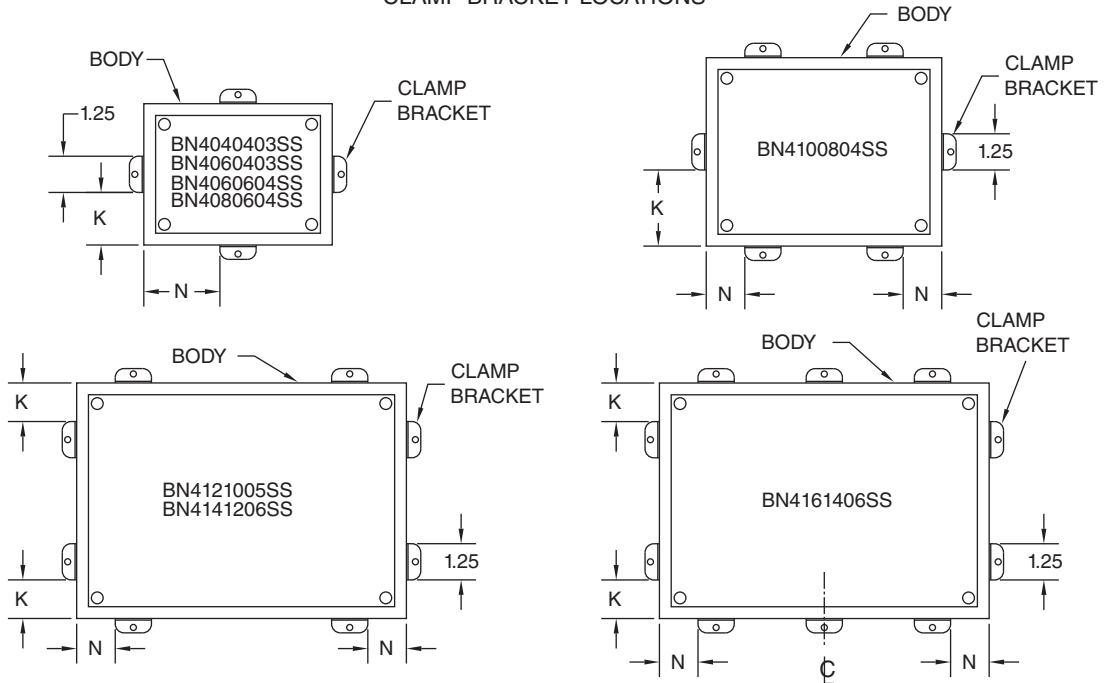


Notes:

1. Panels are 14 Ga. steel.
2. Panel Screws are #10-32 Pan Head.

SECTION X-X

CLAMP BRACKET LOCATIONS



**BN4 - CHSS SERIES ENCLOSURES
NEMA 4X JIC CONTINUOUS HINGE WALL-MOUNT**


BN414206CHSS

Industry Standards

UL 50, Types 4, 4X, 12 & 13
CSA Certified, Types 4 & 12
NEMA/EEMAC Type 4, 4X, 12 & 13
JIC EL-1-71

 UL File E6924, E64791

 CSA File LL66078

FEATURES-SPECIFICATIONS
Applications

Provides unmatched protection for housing electrical components in highly corrosive environments. This enclosure is used in indoor and outdoor settings that are frequently wet or have constant exposure to water, other liquids, or contaminants.

Construction

- Bodies and doors fabricated from 16 gauge type 304 stainless steel or 16 gauge type 316L stainless steel
- Suffix "A" = 16 gauge type 316L stainless steel
- Continuously welded seams ground smooth, less knockouts or holes

- Sealed with poured in place polyurethane gasket
- External mounting feet
- Weldnuts are provided on models 6.00" x 4.00" and larger to secure optional back panel
- Stainless steel screws and clamps, equal to enclosure construction, on three sides of cover assure watertight seal
- Door removed by pulling stainless steel continuous hinge pin
- Grounding provisions provided
- Optional panels and terminal kits must be ordered separately

Finish

- Cover and outside of enclosure have a smooth grained finish
- Optional back panels are offered in a white polyester powder, grained finish stainless steel or with a conductive finish (See page I2)
- Optional "G" panels have a conductive finish (See page I2)

Accessories

- Back panels (reference tables)
- See pages J1-J22

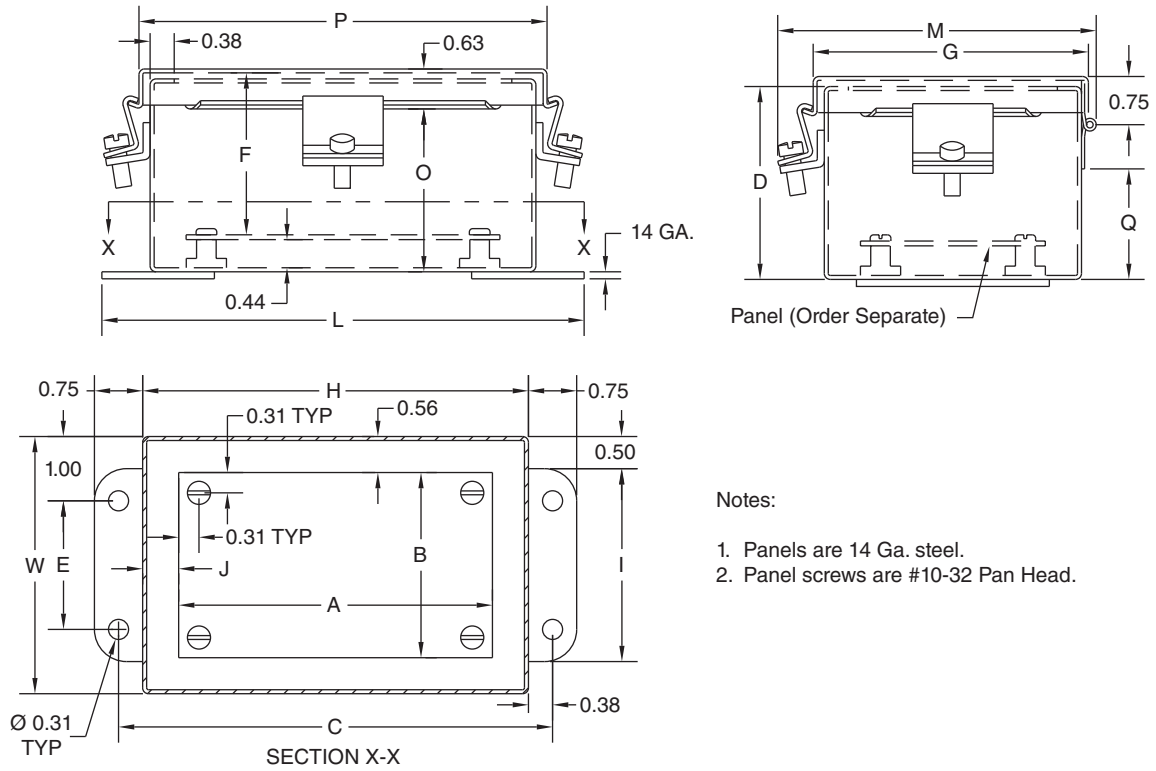
BN4-CHSS SERIES JIC CONTINUOUS HINGE STAINLESS ENCLOSURES

CATALOG NUMBER	ENCLOSURE SIZE H X W X D	BACK PANEL CATALOG NUMBER*		BACK PANEL SIZE A X B	MOUNTING C X E	OVERALL L x M	F	G	I	J	K	N	O	P	Q
		WHITE / 304 SS	"G"												
BN4060404CHSS BN4060404CHSSA	6.00x4.00x4.00 (152x102x102)	P0604 P0604SS	P0604G —	4.88x2.88 (124x73)	6.75x2.00 (171x51)	7.50x5.00 (191x127)	3.53 (90)	4.31 (109)	3.00 (76)	0.56 (14)	1.38 (35)	2.38 (60)	3.53 (90)	6.31 (160)	2.78 (71)
BN4060604CHSS BN4060604CHSSA	6.00x6.00x4.00 (152x152x102)	P0606 P0606SS	P0606G —	4.88x4.88 (124x124)	6.75x4.00 (171x102)	7.50x7.00 (191x178)	3.53 (90)	6.31 (160)	5.00 (127)	0.56 (14)	2.38 (60)	2.38 (60)	3.53 (90)	6.31 (160)	2.78 (71)
BN4080604CHSS BN4080604CHSSA	8.00x6.00x4.00 (203x152x102)	P0806 P0806SS	P0806G —	6.88x4.88 (175x124)	8.75x4.00 (222x102)	9.50x7.00 (241x178)	3.53 (90)	6.31 (160)	5.00 (127)	0.56 (14)	2.38 (60)	3.38 (86)	3.53 (90)	8.31 (211)	2.78 (71)
BN4100804CHSS BN4100804CHSSA	10.00x8.00x4.00 (254x203x102)	P1008 P1008SS	P1008G —	8.88x6.88 (226x175)	10.75x6.00 (273x152)	11.50x9.00 (292x229)	3.53 (90)	8.31 (211)	7.00 (178)	0.56 (14)	3.38 (86)	1.50 (38)	3.53 (90)	10.31 (262)	2.78 (71)
BN4121006CHSS BN4121006CHSSA	12.00x10.00x6.00 (305x254x152)	P1210 P1210SS	P1210G —	10.88x8.88 (276x226)	12.75x8.00 (324x203)	13.50x11.00 (343x279)	5.53 (141)	10.31 (262)	9.00 (229)	0.56 (14)	2.00 (51)	3.00 (76)	5.53 (141)	12.31 (313)	4.78 (121)
BN4121206CHSS BN4121206CHSSA	12.00x12.00x6.00 (305x305x152)	P1212 P1212SS	P1212G —	10.88x10.88 (276x276)	12.75x10.00 (324x254)	13.50x13.00 (343x330)	5.53 (141)	12.31 (313)	11.00 (279)	0.56 (14)	2.50 (64)	2.50 (64)	5.53 (141)	12.31 (313)	4.78 (121)
BN4141206CHSS BN4141206CHSSA	14.00x12.00x6.00 (356x305x152)	P1412 P1412SS	P1412G —	12.88x10.88 (327x276)	14.75x10.00 (375x254)	15.50x13.00 (394x330)	5.53 (141)	12.31 (313)	11.00 (279)	0.56 (14)	2.00 (51)	3.00 (76)	5.53 (141)	14.31 (364)	4.78 (121)
BN4161406CHSS BN4161406CHSSA	16.00x14.00x6.00 (406x356x152)	P1614 P1614SS	P1614G —	14.88x12.88 (378x327)	16.75x12.00 (425x305)	17.50x15.00 (445x381)	5.53 (141)	14.31 (363)	13.00 (330)	0.56 (14)	3.50 (89)	1.50 (38)	5.53 (141)	16.31 (414)	4.78 (121)

*Back panels must be ordered separately.

In order to purchase conductive panels, please add a "G" suffix to the white panel part numbers.

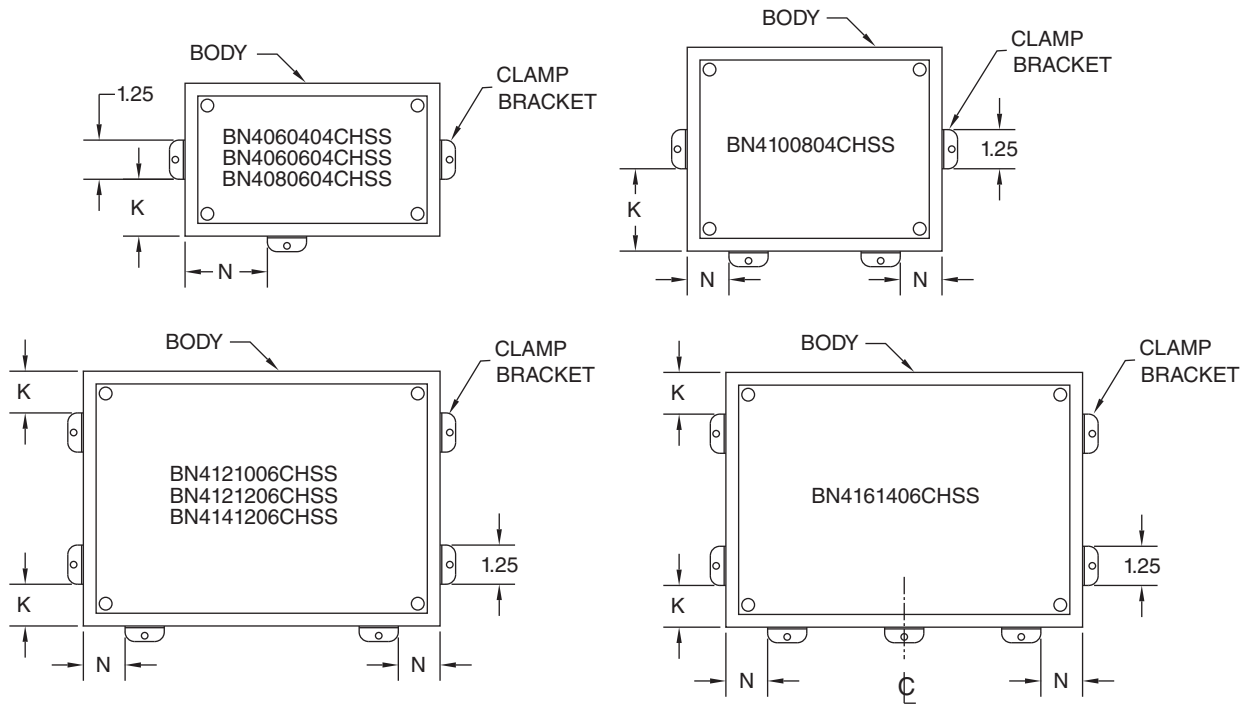
**BN4 - CHSS SERIES ENCLOSURES
NEMA 4X JIC CONTINUOUS HINGE WALL-MOUNT**



Notes:

1. Panels are 14 Ga. steel.
2. Panel screws are #10-32 Pan Head.

CLAMP BRACKET LOCATIONS



**BN4 - AL SERIES ENCLOSURES
NEMA 4 LIFT OFF COVER WALL-MOUNT**


BN4060604AL

Industry Standards

UL 50, Types 4, 4X, 12 & 13
CSA Certified, Types 4 & 12
NEMA/EEMAC Type 4, 4X, 12 & 13
JIC EL-1-71

 UL File E6924, E23553

 CSA File LL66078

FEATURES-SPECIFICATIONS
Applications

Designed as an instrument housing or junction box for electrical, electronic, or pneumatic components. It is ideal for applications where a lightweight, corrosion resistant enclosure is required.

Construction

- Bodies and doors fabricated from .080-inch thick (2 millimeters) 5052-H32 aluminum
- Continuously welded seams ground smooth, less holes or knockouts

- Closed cell oil resistant neoprene gasket
- External mounting plate, top and bottom of enclosure
- Weldnuts are provided on Models 6.00" x 4.00" and larger to secure optional panel
- Stainless steel screws and clamps on four sides of cover to assure water tight seal
- Optional panels and terminal kits must be ordered separately
- Grounding provisions provided

Finish

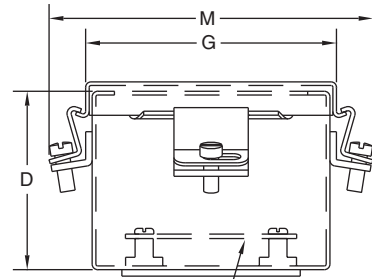
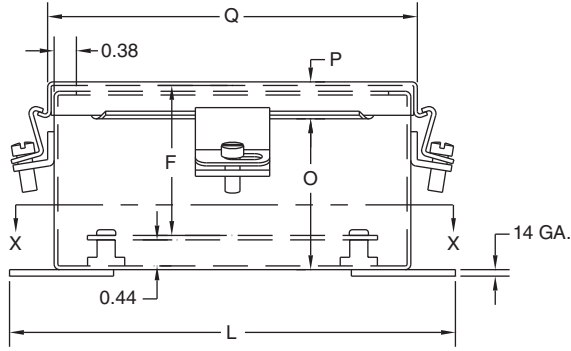
- Exterior and doors of enclosures have a smooth grained finish
- **Optional** back panels are white polyester powder

Accessories

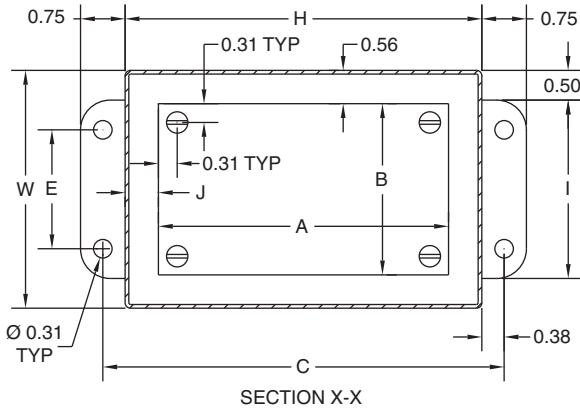
- Back panels (reference tables)
- See pages J1-J22

BN4-CH SERIES CLAMP COVER ALUMINUM ENCLOSURES															
CATALOG NUMBER	BODY/DOOR ALUMINUM GAUGE	ENCLOSURE SIZE H X W X D	BACK PANEL CATALOG NUMBER*	BACK PANEL SIZE A X B	MOUNTING C X E	OVERALL L X M	F	G	I	J	K	N	O	P	Q
BN4060604AL	14/14	6.00x6.00x4.00 (152x152x102)	P0606	4.88x4.88 (124x124)	6.75x4.00 (171x102)	7.50x7.63 (191x194)	3.53 (90)	6.31 (160)	5.00 (127)	0.56 (14)	2.38 (60)	2.38 (60)	3.53 (90)	0.63 (16)	6.31 (160)
BN4080603AL	14/14	8.00x6.00x3.50 (203x152x89)	P0806	6.88x4.88 (175x124)	8.75x4.00 (222x102)	9.50x7.63 (241x194)	3.03 (77)	6.31 (160)	5.00 (127)	0.56 (14)	2.38 (60)	3.38 (86)	3.03 (77)	0.63 (16)	8.31 (211)
BN4100804AL	14/14	10.00x8.00x4.00 (254x203x102)	P1008	8.88x6.88 (226x175)	10.75x6.00 (273x152)	11.50x9.63 (292x244)	3.53 (90)	8.31 (211)	7.00 (178)	0.56 (14)	3.38 (86)	1.50 (38)	3.53 (90)	0.63 (16)	10.31 (262)
BN4121005AL	14/14	12.00x10.00x5.00 (305x254x127)	P1210	10.88x8.88 (276x226)	12.75x8.00 (324x203)	13.50x11.63 (343x295)	4.53 (115)	10.31 (262)	9.00 (229)	0.56 (14)	2.00 (51)	3.00 (76)	4.53 (115)	0.63 (16)	12.31 (313)
BN4141206AL	14/14	14.00x12.00x6.00 (356x305x152)	P1412	12.88x10.88 (327x276)	14.75x10.00 (375x254)	15.50x13.63 (394x346)	5.53 (141)	12.31 (313)	11.00 (279)	0.56 (14)	2.00 (51)	3.00 (76)	5.53 (141)	0.63 (16)	14.31 (364)
BN4161406AL	14/14	16.00x14.00x6.00 (406x356x152)	P1614	14.88x12.88 (378x327)	16.75x12.00 (425x305)	17.50x15.63 (445x397)	5.53 (141)	14.31 (363)	13.00 (330)	0.56 (14)	3.50 (89)	1.50 (38)	5.53 (141)	0.63 (16)	16.31 (414)

*Back panels must be ordered separately



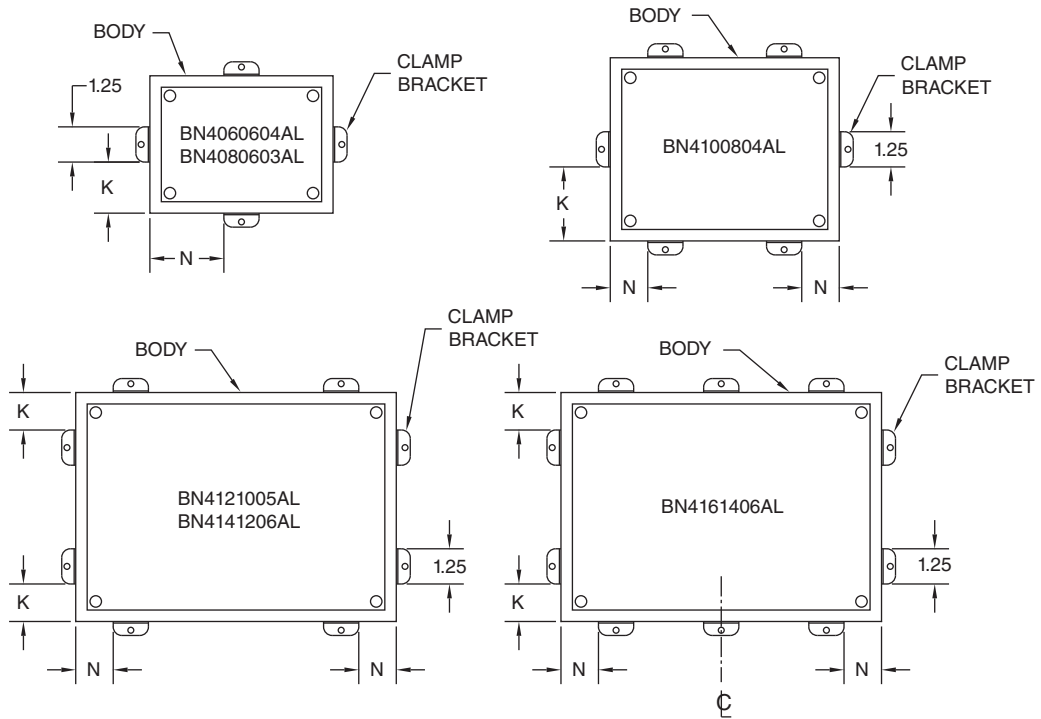
Panel (Order Separately)



Notes:

1. Panels are 14 Ga. steel.
2. Panel screws are #10-32 Pan Head.

CLAMP BRACKET LOCATIONS



**BN4 - CHAL SERIES ENCLOSURES
NEMA 4X JIC CONTINUOUS HINGE WALL-MOUNT**

BN4080603CHAL
Industry Standards

UL 50, Types 4, 4X, 12 & 13
CSA Certified, Types 4 & 12
NEMA/EEMAC Type 4, 4X, 12 & 13
JIC EL-1-71

 UL File E6924, E64791

 CSA File LL66078

FEATURES-SPECIFICATIONS
Applications

Designed as an instrument housing or junction box for electrical, electronic, or pneumatic components. It is ideal for applications where a lightweight, corrosion resistant enclosure is required.

Construction

- Bodies and doors fabricated from .080-inch thick (2 millimeters) 5052-H32 aluminum
- Continuously welded seams ground smooth, less holes or knockouts
- Closed cell oil resistant neoprene gasket

- External mounting plate, top and bottom of enclosure
- Weldnuts are provided on Models 6.00" x 4.00" and larger to secure optional panel
- Stainless steel screws and clamps on three sides of cover to assure water tight seal
- Optional panels and terminal kits must be ordered separately
- Grounding provisions provided
- Cover removed by pulling stainless steel continuous hinge pin

Finish

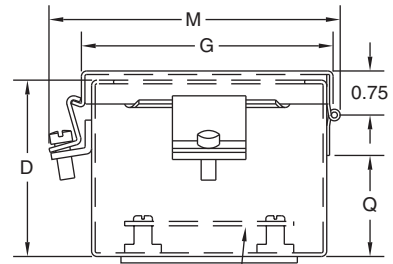
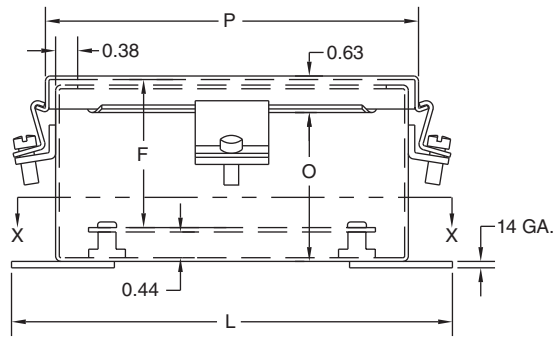
- Exterior and doors of enclosures have a smooth grained finish
- Optional back panels are white polyester powder

Accessories

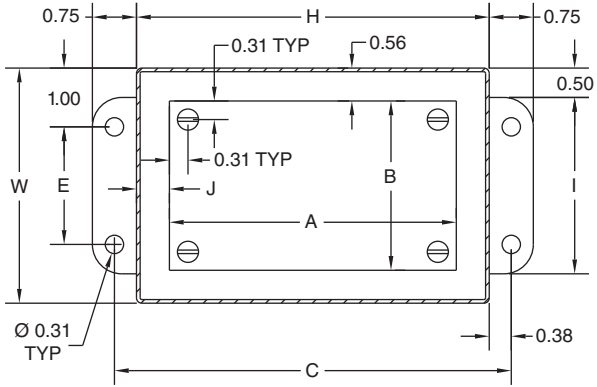
- Back panels (reference tables)
- See pages J1-J22

BN4-CHAL SERIES CONTINUOUS HINGE ALUMINUM ENCLOSURES															
CATALOG NUMBER	BODY/DOOR ALUMINUM GAUGE	ENCLOSURE SIZE H X W X D	BACK PANEL CATALOG NUMBER*	BACK PANEL SIZE A X B	MOUNTING C X E	OVERALL L X M	F	G	I	J	K	N	O	P	Q
BN4060604CHAL	14/14	6.00x6.00x4.00 (152x152x102)	P0606	4.88x4.88 (124x124)	6.75x4.00 (171x102)	7.50x7.00 (191x178)	3.53 (90)	6.31 (160)	5.00 (127)	0.56 (14)	2.38 (60)	2.38 (60)	3.53 (90)	6.31 (160)	2.78 (71)
BN4080603CHAL	14/14	8.00x6.00x3.50 (203x152x89)	P0806	6.88x4.88 (175x124)	8.75x4.00 (222x102)	9.50x7.00 (241x178)	3.03 (77)	6.31 (160)	5.00 (127)	0.56 (14)	2.38 (60)	3.38 (86)	3.03 (77)	8.31 (211)	2.28 (58)
BN4100804CHAL	14/14	10.00x8.00x4.00 (254x203x102)	P1008	8.88x6.88 (226x175)	10.75x6.00 (273x152)	11.50x9.00 (292x229)	3.53 (90)	8.31 (211)	7.00 (178)	0.56 (14)	3.38 (86)	1.50 (38)	3.53 (90)	10.31 (262)	2.78 (71)
BN4121005CHAL	14/14	12.00x10.00x5.00 (305x254x127)	P1210	10.88x8.88 (276x226)	12.75x8.00 (324x203)	13.50x11.00 (343x279)	4.53 (115)	10.31 (262)	9.00 (229)	0.56 (14)	2.00 (51)	3.00 (76)	4.53 (115)	12.31 (313)	3.78 (96)
BN4141206CHAL	14/14	14.00x12.00x6.00 (356x305x152)	P1412	12.88x10.88 (327x276)	14.75x10.00 (375x254)	15.50x13.00 (394x330)	5.53 (141)	12.31 (313)	11.00 (279)	0.56 (14)	2.00 (51)	3.00 (76)	5.53 (141)	14.31 (364)	4.78 (121)
BN4161406CHAL	14/14	16.00x14.00x6.00 (406x356x152)	P1614	14.88x12.88 (378x327)	16.75x12.00 (425x305)	17.50x15.00 (445x381)	5.53 (141)	14.31 (363)	13.00 (330)	0.56 (14)	3.50 (89)	1.50 (38)	5.53 (141)	16.31 (414)	4.78 (121)

*Back panels must be ordered separately.



Panel (Order Separately)

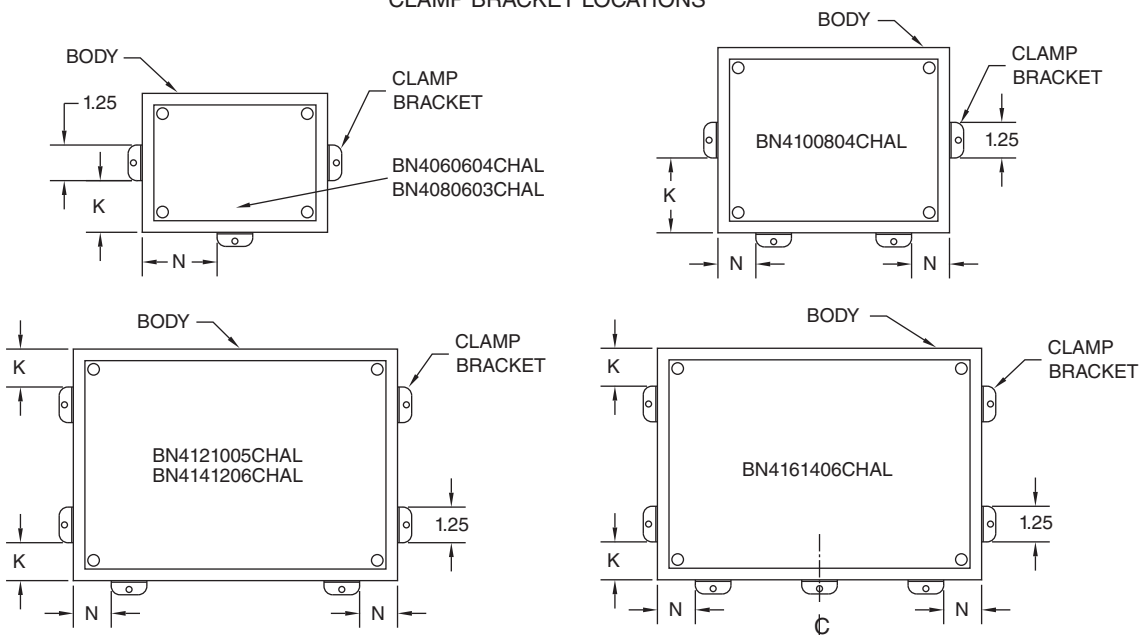


SECTION X-X

Notes:

1. Panels are 14 Ga. steel.
2. Panel screws are #10-32 Pan Head.

CLAMP BRACKET LOCATIONS



**WC - CSS SERIES ENCLOSURES
NEMA 12 CONSOLE SINGLE DOOR**

WC12C12SS
Industry Standards

UL 508, Types 12 & 13
CSA Certified, Type 12
NEMA/EEMAC Type 12 & 13
JIC EL-1-71

 UL Files E64791

 CSA File LL66078

FEATURES-SPECIFICATIONS
Applications

Designed to house a variety of electronic control or instrumentation devices. Consolets provide protection from dust, dirt, oil, and water. Flexible design allows for mounting on either or two sides, creating control surfaces of 30 degrees or 60 degrees. Consolets can be mounted on desktops, pedestals, or other flat surfaces.

Construction

- Bodies and doors fabricated from 14 gauge 304 stainless steel
- Continuously welded seams ground smooth, less knockouts or holes
- Captivated cover screws thread into sealed wells
- Control panel is continuously hinged along bottom edge

- Closed cell oil resistant neoprene gasket
- Grounding provisions provided

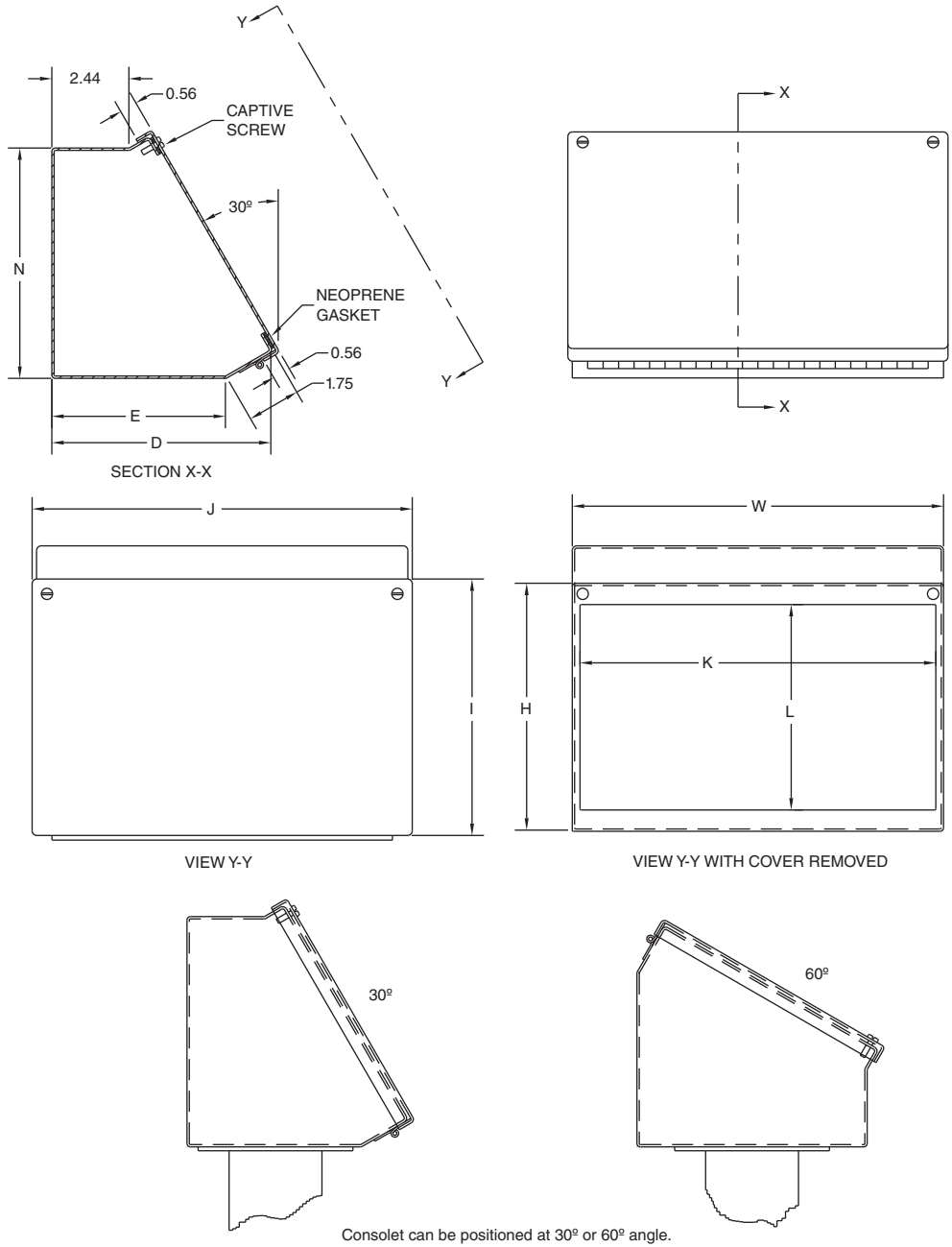
Finish

- Smooth brushed finish

Accessories

See pages J1-J22

WC-CSS SERIES CONSOLE ENCLOSURES								
CATALOG NUMBER	BODY/DOOR STEEL GAUGE	ENCLOSURE SIZE H X W X D	E	N	L	K	I	J
WC08C08SS	14/14	8.00x8.00x7.09 (203x203x180)	5.69 (144)	7.44 (189)	6.56 (167)	7.44 (189)	8.31 (211)	8.31 (211)
WC08C12SS	14/14	8.00x12.00x7.09 (203x305x180)	5.69 (144)	7.44 (189)	6.56 (167)	11.44 (291)	8.31 (211)	12.31 (313)
WC08C16SS	14/14	8.00x16.00x7.09 (203x406x180)	5.69 (144)	7.44 (189)	6.56 (167)	15.44 (392)	8.31 (211)	16.31 (414)
WC08C20SS	14/14	8.00x20.00x7.09 (203x508x180)	5.69 (144)	7.44 (189)	6.56 (167)	19.44 (494)	8.31 (211)	20.31 (516)
WC12C12SS	14/14	12.00x12.00x9.09 (305x305x231)	7.69 (195)	10.91 (277)	10.56 (268)	11.44 (291)	12.31 (313)	12.31 (313)
WC12C16SS	14/14	12.00x16.00x9.09 (305x406x231)	7.69 (195)	10.91 (277)	10.56 (268)	15.44 (392)	12.31 (313)	16.31 (414)
WC12C20SS	14/14	12.00x20.00x9.09 (305x508x231)	7.69 (195)	10.91 (277)	10.56 (268)	19.44 (494)	12.31 (313)	20.31 (516)
WC12C24SS	14/14	12.00x24.00x9.09 (305x610x231)	7.69 (195)	10.91 (277)	10.56 (268)	23.44 (595)	12.31 (313)	24.31 (618)
WC16C16SS	14/14	16.00x16.00x11.09 (406x406x282)	9.69 (246)	14.38 (365)	14.56 (370)	15.44 (392)	16.31 (414)	16.31 (414)
WC16C20SS	14/14	16.00x20.00x11.09 (406x508x282)	9.69 (246)	14.38 (365)	14.56 (370)	19.44 (494)	16.31 (414)	20.31 (516)
WC16C24SS	14/14	16.00x24.00x11.09 (406x610x282)	9.69 (246)	14.38 (365)	14.56 (370)	23.44 (595)	16.31 (414)	24.31 (618)
WC16C30SS	14/14	16.00x30.00x11.09 (406x762x282)	9.69 (246)	14.38 (365)	14.56 (370)	29.44 (748)	16.31 (414)	30.31 (770)
WC16C36SS	14/14	16.00x36.00x11.09 (406x914x282)	9.69 (246)	14.38 (365)	14.56 (370)	35.44 (900)	16.31 (414)	36.31 (922)
WC20C20SS	14/14	20.00x20.00x13.09 (508x508x333)	11.69 (297)	17.84 (453)	18.56 (471)	19.44 (494)	20.31 (516)	20.31 (516)
WC20C24SS	14/14	20.00x24.00x13.09 (508x610x333)	11.69 (297)	17.84 (453)	18.56 (471)	23.44 (595)	20.31 (516)	24.31 (618)
WC20C30SS	14/14	20.00x30.00x13.09 (508x762x333)	11.69 (297)	17.84 (453)	18.56 (471)	29.44 (748)	20.31 (516)	30.31 (770)



Console can be positioned at 30° or 60° angle.

**N412 - SSC ULTIMATE SERIES ENCLOSURES
NEMA 4X SINGLE DOOR WALL-MOUNT**



N412201606SSC

Industry Standards

UL 508, Types 4, 4X, 12 & 13
CSA Certified, Types 4, 4X, 12 & 13
NEMA/EEMAC Type 4, 4X, 12 & 13

Wall mounting brackets required to maintain UL/CSA external mounting requirements.

UL Files E64791

CSA File LL66078

FEATURES-SPECIFICATIONS

Applications

Hubbell Wiegmann N412SSC ULTIMATE Stainless Steel Series Enclosures are designed to house and protect electrical and electronic components from harsh, dirty environments. For use in installations where dirt, dust, oil, water, or other contaminants are present. It is typically used in the following areas where corrosion-resistant protection is needed: food processing plants, pharmaceutical manufacturing facilities, petrochemical plants, pulp and paper processing, and waste water treatment facilities. Streamlined styling, flush latching, and attractive Stainless Steel finish complement any high tech electronic equipment.

Construction

- Bodies and doors fabricated from 14 gauge 304 or 316L Stainless Steel

- Continuously Plasma welded seams
- Increased tub opening for better access
- Concealed hinges
- Doors are interchangeable and easily removable
- Ground stud located in door
- 1/4-turn semi-flush oil tight latches are supplied to hold door securely closed
- Print pocket is provided
- Doors are sealed with poured-in-place polyurethane gasket**
- Mounting holes in rear of enclosure
- Studs for mounting optional back panel (the Ultimate back panels have increased in size to accommodate larger foot-print installations)

Finish

- All exterior surfaces have a smooth grained finish
- Optional back panels are white polyester powder
- Optional "G" panels have a conductive finish (See page I5)

Accessories

- Back panels (see reference tables)
- Window door (see reference tables)
- See pages J1-J22. See pages J20-J22 for ULTIMATE Series Accessories
- Optional N412MFKSS mounting foot kit must be ordered separately

N412-SSC ULTIMATE SERIES SINGLE DOOR STAINLESS ENCLOSURES									
CATALOG NUMBER		BODY/DOOR STEEL GAUGE	ENCLOSURE SIZE H X W X D	BACK PANEL CATALOG NUMBER*			BACK PANEL SIZE A & B	C	E
304 SS	316L SS			WHITE	304 SS	"G"			
N412121206SSC	N412121206SSAC	14/14	12.00x12.00x6.00 (305x305x152)	NP1212C	—	NP1212CG	10.2x10.2 (259x259)	6.00 (152)	—
N412161206SSC	N412161206SSAC	14/14	16.00x12.00x6.00 (406x305x152)	NP1612C	NP1612SSC	NP1612CG	14.2x10.2 (361x259)	8.00 (203)	—
N412161606SSC	N412161606SSAC	14/14	16.00x16.00x6.00 (406x406x152)	NP1616C	NP1616SSC	NP1616CG	14.2x14.2 (361x361)	8.00 (203)	—
N412201606SSC	N412201606SSAC	14/14	20.00x16.00x6.00 (508x406x152)	NP2016C	NP2016SSC	NP2016CG	18.2x14.2 (462x361)	10.00 (254)	—
N412202006SSC	N412202006SSAC	14/14	20.00x20.00x6.00 (508x508x152)	NP2020C	NP2020SSC	NP2020CG	18.2x18.2 (462x462)	10.00 (254)	—
N412161208SSC	N412161208SSAC	14/14	16.00x12.00x8.00 (406x305x203)	NP1612C	NP1612SSC	NP1612CG	14.2x10.2 (361x259)	8.00 (203)	—
N412161608SSC	N412161608SSAC	14/14	16.00x16.00x8.00 (406x406x203)	NP1616C	NP1616SSC	NP1616CG	14.2x14.2 (361x361)	8.00 (203)	—
N412162008SSC	N412162008SSAC	14/14	16.00x20.00x8.00 (406x508x203)	NP2016C	NP2016SSC	NP2016CG	14.2x18.2 (361x462)	8.00 (203)	—
N412201608SSC	N412201608SSAC	14/14	20.00x16.00x8.00 (508x406x203)	NP2016C	NP2016SSC	NP2016CG	18.2x14.2 (462x361)	10.00 (254)	—
N412202008SSC	N412202008SSAC	14/14	20.00x20.00x8.00 (508x508x203)	NP2020C	NP2020SSC	NP2020CG	18.2x18.2 (462x462)	10.00 (254)	—
N412241608SSC	N412241608SSAC	14/14	24.00x16.00x8.00 (610x406x203)	NP2416C	NP2416SSC	NP2416CG	22.2x14.2 (564x361)	10.00 (254)	—

Continued on page E17

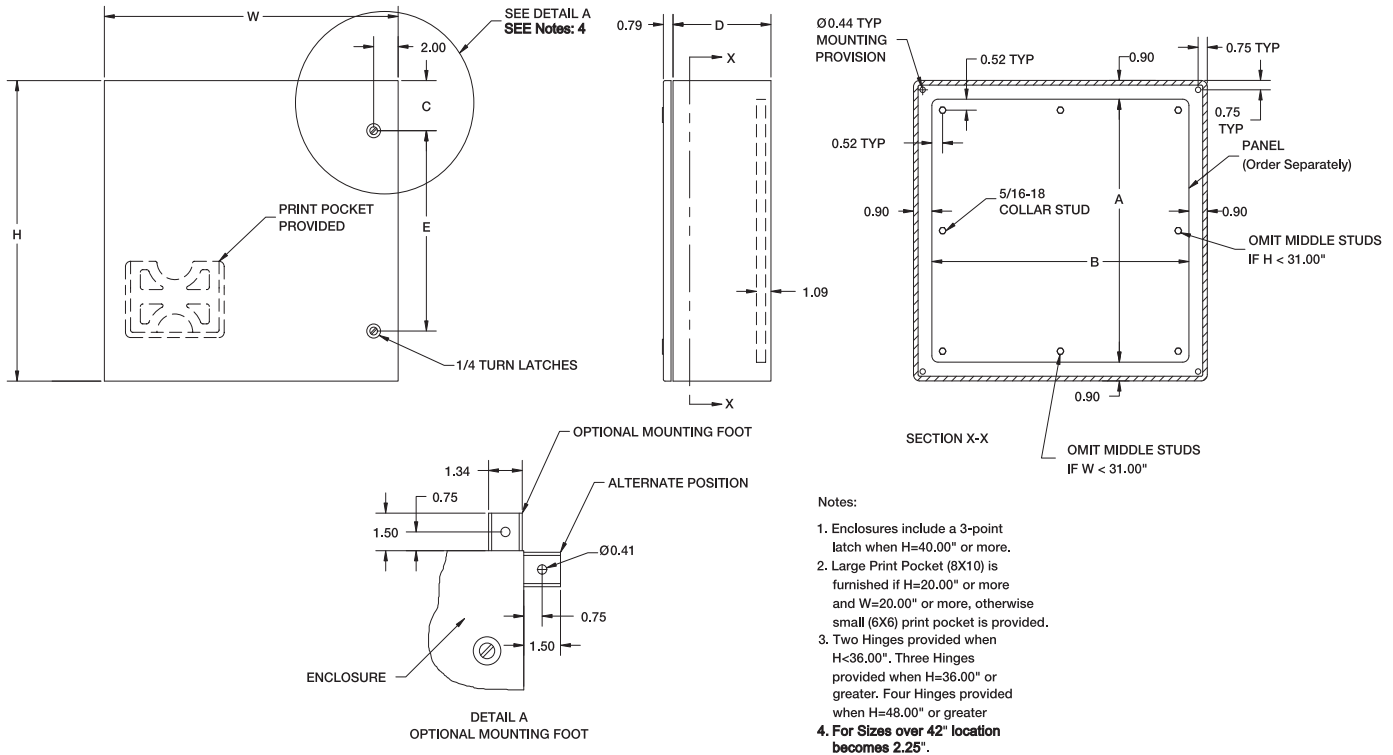
**N412 - SSC ULTIMATE SERIES ENCLOSURES
NEMA 4X SINGLE DOOR WALL-MOUNT**

E17

N412-SSC ULTIMATE SERIES SINGLE DOOR STAINLESS ENCLOSURES (CONT.)									
CATALOG NUMBER		BODY/DOOR STEEL GAUGE	ENCLOSURE SIZE H X W X D	BACK PANEL CATALOG NUMBER*			BACK PANEL SIZE A & B	C	E
304 SS	316L SS			WHITE	304 SS	"G"			
N412242008SSC	N412242008SSAC	14/14	24.00x20.00x8.00 (610x508x203)	NP2420C	NP2420SSC	NP2420CG	22.2x18.2 (564x462)	12.00 (305)	—
N412242408SSC	N412242408SSAC	14/14	24.00x24.00x8.00 (610x610x203)	NP2424C	NP2424SSC	NP2424CG	22.2x22.2 (564x564)	4.00 (102)	16.00 (406)
N412302408SSC	N412302408SSAC	14/14	30.00x24.00x8.00 (762x610x203)	NP3024C	NP3024SSC	NP3024CG	28.2x22.2 (716x564)	4.00 (102)	22.00 (559)
N412303008SSC	N412303008SSAC	14/14	30.00x30.00x8.00 (762x610x203)	NP3030C	NP3030SSC	NP3030CG	28.2x28.2 (716x716)	4.00 (102)	22.00 (559)
N412362408SSC	N412362408SSAC	14/14	36.00x24.00x8.00 (914x610x203)	NP3624C	NP3624SSC	NP3624CG	34.2x22.2 (869x564)	4.00 (102)	28.00 (711)
N412363008SSC	N412363008SSAC	14/14	36.00x30.00x8.00 (914x762x203)	NP3630C	NP3630SSC	NP3630CG	34.2x28.2 (869x716)	4.00 (102)	28.00 (711)
N412161210SSC	N412161210SSAC	14/14	16.00x12.00x10.00 (406x305x254)	NP1612C	NP1612SSC	NP1612CG	14.2x10.2 (361x259)	8.00 (203)	—
N412161610SSC	N412161610SSAC	14/14	16.00x16.00x10.00 (406x406x254)	NP1616C	NP1616SSC	NP1616CG	14.2x14.2 (361x361)	8.00 (203)	—
N412162010SSC	N412162010SSAC	14/14	16.00x20.00x10.00 (406x508x203)	NP1620C	NP1620SSC	NP1620CG	14.2x18.2 (361x467)	8.00 (203)	—
N412201610SSC	N412201610SSAC	14/14	20.00x16.00x10.00 (508x406x254)	NP2016C	NP2016SSC	NP2016CG	18.2x14.2 (467x361)	10.00 (254)	—
N412202010SSC	N412202010SSAC	14/14	20.00x20.00x10.00 (508x508x254)	NP2020C	NP2020SSC	NP2020CG	18.2x18.2 (467x467)	10.00 (254)	—
N412241610SSC	N412241610SSAC	14/14	24.00x16.00x10.00 (610x406x254)	NP2416C	NP2416SSC	NP2416CG	22.2x14.2 (564x361)	10.00 (254)	—
N412242010SSC	N412242010SSAC	14/14	24.00x20.00x10.00 (610x508x254)	NP2020C	NP2020SSC	NP2020CG	18.2x18.2 (467x467)	10.00 (254)	—
N412242410SSC	N412242410SSAC	14/14	24.00x24.00x10.00 (610x610x254)	NP2424C	NP2424SSC	NP2424CG	22.2x22.2 (569x569)	4.00 (102)	16.00 (406)
N412302410SSC	N412302410SSAC	14/14	30.00x24.00x10.00 (762x610x254)	NP3024C	NP3024SSC	NP3024CG	28.2x22.2 (716x564)	4.00 (102)	22.00 (559)
N412303010SSC	N412303010SSAC	14/14	30.00x30.00x10.00 (762x762x254)	NP3030C	NP3030SSC	NP3030CG	28.2x28.2 (716x716)	4.00 (102)	22.00 (559)
N412362410SSC	N412362410SSAC	14/14	36.00x24.00x10.00 (914x610x254)	NP3624C	NP3624SSC	NP3624CG	34.2x22.2 (869x564)	4.00 (102)	28.00 (711)
N412363010SSC	N412363010SSAC	14/14	36.00x30.00x10.00 (914x762x254)	NP3630C	NP3630SSC	NP3630CG	34.2x28.2 (869x716)	4.00 (102)	28.00 (711)
N412363610SSC	N412363610SSAC	14/14	36.00x36.00x10.00 (914x914x254)	NP3636C	NP3636SSC	NP3636CG	34.2x34.2 (869x869)	4.00 (102)	28.00 (711)
N412423610SSC	N412423610SSAC	14/14	42.00x36.00x10.00 (1067x914x254)	NP4236C	NP4236SSC	NP4236CG	40.2x34.2 (1021x869)	21.00 (533)	—
N412483610SSC	N412483610SSAC	14/14	48.00x36.00x10.00 (1219x914x254)	NP4836C	NP4836SSC	NP4836CG	46.2x34.2 (1173x869)	24.00 (610)	—
N412603610SSC	N412603610SSAC	14/14	60.00x36.00x10.00 (1524x914x254)	NP6036C	NP6036SSC	NP6036CG	58.2x34.2 (1478x869)	30.00 (762)	—
N412202012SSC	N412202012SSAC	14/14	20.00x20.00x12.00 (508x508x305)	NP2020C	NP2020SSC	NP2020CG	18.2x18.2 (462x462)	10.00 (254)	—
N412242412SSC	N412242412SSAC	14/14	24.00x24.00x12.00 (610x610x305)	NP2424C	NP2424SSC	NP2424CG	22.2x22.2 (564x564)	4.00 (102)	16.00 (406)
N412302412SSC	N412302412SSAC	14/14	30.00x24.00x12.00 (762x610x305)	NP3024C	NP3024SSC	NP3024CG	28.2x22.2 (716x564)	4.00 (102)	22.00 (559)
N412362412SSC	N412362412SSAC	14/14	36.00x24.00x12.00 (914x610x305)	NP3624C	NP3624SSC	NP3624CG	34.2x22.2 (869x564)	4.00 (102)	28.00 (711)
N412363012SSC	N412363012SSAC	14/14	36.00x30.00x12.00 (914x762x305)	NP3630C	NP3630SSC	NP3630CG	34.2x28.2 (869x716)	4.00 (102)	28.00 (711)
N412363612SSC	N412363612SSAC	14/14	36.00x36.00x12.00 (914x914x305)	NP3636C	NP3636SSC	NP3636CG	34.2x34.2 (869x869)	4.00 (102)	28.00 (711)
N412423612SSC	N412423612SSAC	14/14	42.00x36.00x12.00 (1067x914x305)	NP4236C	NP4236SSC	NP4236CG	40.2x34.2 (1021x869)	21.00 (533)	—
N412483612SSC**	N412483612SSAC	14/14	48.00x36.00x12.00 (1219x914x305)	NP4836C	NP4836SSC	NP4836CG	46.2x34.2 (1173x869)	24.00 (610)	—
N412603612SSC**	N412603612SSAC**	14/14	60.00x36.00x12.00 (1524x914x305)	NP6036C	NP6036SSC	NP6036CG	58.2x34.2 (1478x869)	30.00 (762)	—

* Back panels must be ordered separately.

** Enclosures are supplied with closed cell neoprene gasket (not foam-in-place).



- Notes:
1. Enclosures include a 3-point latch when H=40.00" or more.
 2. Large Print Pocket (8X10) is furnished if H=20.00" or more and W=20.00" or more, otherwise small (6X6) print pocket is provided.
 3. Two Hinges provided when H<36.00". Three Hinges provided when H=36.00" or greater. Four Hinges provided when H=48.00" or greater
 4. For Sizes over 42" location becomes 2.25".

**N412 - WSSC ULTIMATE SERIES ENCLOSURES
NEMA 4X SINGLE DOOR WALL-MOUNT WITH WINDOW**



N412202006WSSC

Industry Standards

UL 508, Types 4, 4X, 12 & 13
CSA Certified, Types 4, 4X, 12 & 13
NEMA/EEMAC Type 4, 4X, 12 & 13

Wall mounting brackets required to maintain UL/CSA external mounting requirements.

UL Files E64791

CSA File LL66078

FEATURES-SPECIFICATIONS

Applications

Hubbell Wiegmann N412WSSC ULTIMATE Stainless Steel Series Enclosures are designed to house and protect electrical and electronic components from harsh, dirty environments. For use in installations where dirt, dust, oil, water, or other contaminants are present. It is typically used in the following areas where corrosion-resistant protection is needed: food processing plants, pharmaceutical manufacturing facilities, petrochemical plants, pulp and paper processing, and waste water treatment facilities. Streamlined styling, flush latching, and attractive Stainless Steel finish complement any high tech electronic equipment.

Construction

- Bodies and doors fabricated from 14 gauge 304 Stainless Steel
- Continuously Plasma welded seams
- Increased tub opening for better access
- Concealed hinges
- Plexiglass viewing window
- Doors are interchangeable and easily removable
- Grounding provisions provided (tub only)
- 1/4-turn semi-flush oil tight latches are supplied to hold door securely closed
- Print pocket is provided
- Doors are sealed with poured-in-place polyurethane gasket**

- Mounting holes in rear of enclosure
- Studs for mounting optional back panel (the Ultimate back panels have increased in size to accommodate larger foot-print installations)

Finish

- All exterior surfaces have a smooth grained finish
- Optional back panels are white polyester powder
- Optional "G" panels have a conductive finish (See page I5)

Accessories

- Back panels (see reference tables)
- See pages J1-J22. See pages J20-J22 for ULTIMATE Series Accessories
- Optional N412MFKSS mounting foot kit must be ordered separately

N412WSSC ULTIMATE SERIES SINGLE DOOR WITH WINDOW STAINLESS ENCLOSURES								
CATALOG NUMBER	BODY/DOOR STEEL GAUGE	ENCLOSURE SIZE H X W X D	VIEWABLE WINDOW AREA	BACK PANEL CATALOG NUMBER*		BACK PANEL SIZE A & B	C	E
				WHITE	"G"			
N412121206WSSC	14/14	12.00x12.00x6.00 (305x305x152)	7.50 x 6.25 (191 x 159)	NP1212C	NP1212CG	10.2x10.2 (259x259)	6.00 (152)	—
N412161206WSSC	14/14	16.00x12.00x6.00 (406x305x152)	11.50 x 6.25 (292 x 159)	NP1612C	NP1612CG	14.2x10.2 (361x259)	8.00 (203)	—
N412201606WSSC	14/14	20.00x16.00x6.00 (508x406x152)	15.50 x 10.25 (394 x 260)	NP2016C	NP2016CG	18.2x14.2 (462x361)	10.00 (254)	—
N412202006WSSC	14/14	20.00x20.00x6.00 (508x508x152)	15.50 x 14.25 (394 x 362)	NP2020C	NP2020CG	18.2x18.2 (462x462)	10.00 (254)	—
N412242006WSSC	14/14	24.00x20.00x6.00 (610x508x152)	19.50 x 14.25 (495 x 362)	NP2420C	NP2420CG	22.2x18.2 (564x462)	12.00 (305)	—
N412242406WSSC	14/14	24.00x24.00x6.00 (610x610x152)	19.50 x 18.25 (495 x 464)	NP2424C	NP2424CG	22.2x22.2 (564x564)	4.00 (102)	16.00 (406)
N412302406WSSC	14/14	30.00x24.00x6.00 (762x610x152)	25.50 x 18.25 (648 x 464)	NP3024C	NP3024CG	28.2x22.2 (716x564)	4.00 (102)	22.00 (559)
N412121208WSSC	14/14	12.00x12.00x8.00 (305x305x203)	7.50 x 6.25 (191 x 159)	NP1212C	NP1212CG	10.2x10.2 (259x259)	6.00 (152)	—
N412161208WSSC	14/14	16.00x12.00x8.00 (406x305x203)	11.50 x 6.25 (292 x 159)	NP1612C	NP1612CG	14.2x10.2 (361x259)	8.00 (203)	—
N412201608WSSC	14/14	20.00x16.00x8.00 (508x406x203)	15.50 x 10.25 (394 x 260)	NP2016C	NP2016CG	18.2x14.2 (462x361)	10.00 (254)	—
N412202008WSSC	14/14	20.00x20.00x8.00 (508x508x203)	15.50 x 14.25 (394 x 362)	NP2020C	NP2020CG	18.2x18.2 (462x462)	10.00 (254)	—
N412242008WSSC	14/14	24.00x20.00x8.00 (610x508x203)	19.50 x 14.25 (495 x 362)	NP2420C	NP2420CG	22.2x18.2 (564x462)	12.00 (305)	—

*Back panels must be ordered separately. **Enclosures are supplied with closed cell neoprene gasket (not foam-in-place).

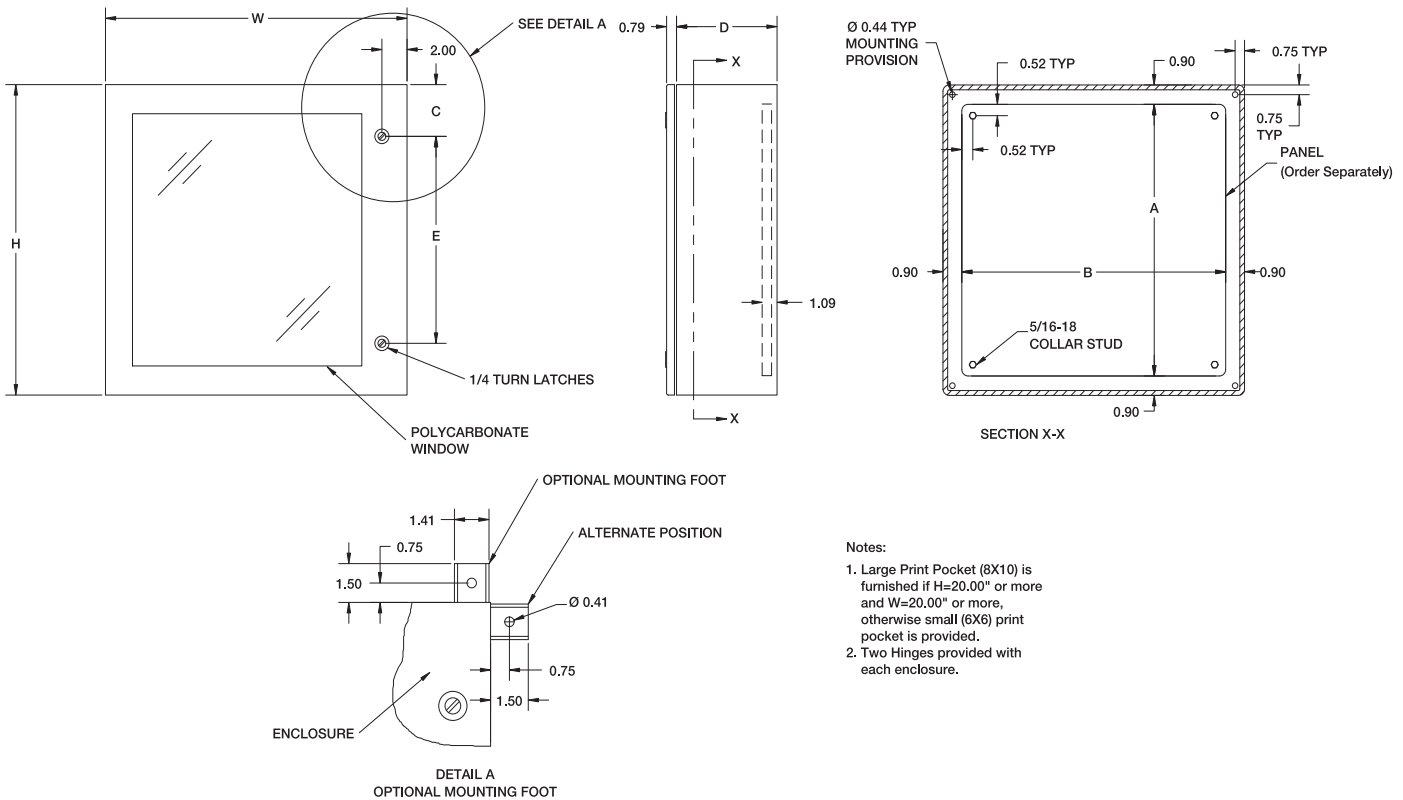
Continued on page E20

**N412 - WSSC ULTIMATE SERIES ENCLOSURES
NEMA 4X SINGLE DOOR WALL-MOUNT WITH WINDOW**

N412WSSC ULTIMATE SERIES SINGLE DOOR WITH WINDOW STAINLESS ENCLOSURES (CONT.)								
CATALOG NUMBER	BODY/DOOR STEEL GAUGE	ENCLOSURE SIZE H X W X D (610x610x203)	VIEWABLE WINDOW AREA	BACK PANEL CATALOG NUMBER*		BACK PANEL SIZE A & B	C	E
				WHITE	"G"			
N412242408WSSC	14/14	24.00x24.00x8.00 (610x610x203)	19.50 x 18.25 (495 x 464)	NP2424C	NP2424CG	22.2x22.2 (564x564)	4.00 (102)	16.00 (406)
N412302408WSSC	14/14	30.00x24.00x8.00 (762x610x203)	25.50 x 18.25 (648 x 464)	NP3024C	NP3024CG	28.2x22.2 (716x564)	4.00 (102)	22.00 (559)
N412161210WSSC	14/14	16.00x12.00x10.00 (406x305x254)	11.50 x 6.25 (292 x 159)	NP1612C	NP1612CG	14.2x10.2 (361x259)	8.00 (203)	—
N412201610WSSC	14/14	20.00x16.00x10.00 (508x406x254)	15.50 x 10.25 (394 x 260)	NP2016C	NP2016CG	18.2x14.2 (462x361)	10.00 (254)	—
N412202010WSSC	14/14	20.00x20.00x10.00 (508x508x254)	15.50 x 14.25 (394 x 362)	NP2020C	NP2020CG	18.2x18.2 (462x462)	10.00 (254)	—
N412242010WSSC	14/14	24.00x20.00x10.00 (610x508x254)	19.50 x 14.25 (495 x 362)	NP2420C	NP2420CG	22.2x18.2 (564x462)	12.00 (305)	—
N412242410WSSC	14/14	24.00x24.00x10.00 (610x610x254)	19.50 x 18.25 (495 x 464)	NP2424C	NP2424CG	22.2x22.2 (564x564)	4.00 (102)	16.00 (406)
N412302410WSSC	14/14	30.00x24.00x10.00 (762x610x254)	25.50 x 18.25 (648 x 464)	NP3024C	NP3024CG	28.2x22.2 (716x564)	4.00 (102)	22.00 (559)
N412202012WSSC	14/14	20.00x20.00x12.00 (508x508x305)	15.50 x 14.25 (394 x 362)	NP2020C	NP2020CG	18.2x18.2 (462x462)	10.00 (254)	—
N412242012WSSC	14/14	24.00x20.00x12.00 (610x508x305)	19.50 x 14.25 (495 x 362)	NP2420C	NP2420CG	22.2x18.2 (564x462)	12.00 (305)	—
N412242412WSSC	14/14	24.00x24.00x12.00 (610x610x305)	19.50 x 18.25 (495 x 464)	NP2424C	NP2424CG	22.2x22.2 (564x564)	4.00 (102)	16.00 (406)
N412302412WSSC	14/14	30.00x24.00x12.00 (762x610x305)	25.50 x 18.25 (648 x 464)	NP3024C	NP3024CG	28.2x22.2 (716x564)	4.00 (102)	22.00 (559)
N412242416WSSC**	14/14	24.00x24.00x12.00 (610x610x406)	19.50 x 18.25 (495 x 464)	NP2424C	NP2424CG	22.2x22.2 (564x564)	4.00 (102)	16.00 (406)
N412242420WSSC**	14/14	24.00x24.00x12.00 (610x610x508)	19.50 x 18.25 (495 x 464)	NP2424C	NP2424CG	22.2x22.2 (564x564)	4.00 (102)	16.00 (406)
N412302420WSSC**	14/14	30.00x24.00x20.00 (762x610x508)	25.50 x 18.25 (648 x 464)	NP3024C	NP3024CG	28.2x22.2 (716x564)	4.00 (102)	22.00 (559)

*Back panels must be ordered separately.

**Enclosures are supplied with closed cell neoprene gasket (not foam-in-place).



- Notes:
1. Large Print Pocket (8X10) is furnished if H=20.00" or more and W=20.00" or more, otherwise small (6X6) print pocket is provided.
 2. Two Hinges provided with each enclosure.

**N412 - SS3PTC & SSA3PTC ULTIMATE SERIES ENCLOSURES
NEMA 12, 4 & 4X SINGLE DOOR WALL-MOUNT**

E21



N412201606SS3PTC

Industry Standards

UL 508 Listed, Types 4X, 12 & 13
CSA Certified, Types 12 & 13
NEMA/EEMAC Type 4X, 12 & 13

 UL Files E64791

 CSA File LL66078

FEATURES-SPECIFICATIONS

Applications

Hubbell Wiegmann N412SS3PTC ULTIMATE Series Enclosures are designed to house and protect electrical and electronic components from harsh, dirty environments. For use in installations where dirt, dust, oil, water, or other contaminants are present. Streamlined styling, flush latching, and attractive durable finish complement any high tech electronic equipment.

Construction

- Bodies and doors fabricated from 14 gauge 304 stainless steel.
- Continuously welded seams ground smooth, less holes or knockouts.

- Body stiffeners are included in larger enclosures for added rigidity.
- Doors are interchangeable and easily removable.
- Grounding studs are welded to door and body assuring a positive ground.
- 1/4-turn semi-flush oil tight latches are supplied to hold door securely closed.
- Print pocket is provided.
- Foam in place door gasket.
- Mounting holes in rear of enclosure.**
- Collar studs for mounting optional back panel.
- With a 3pt 316L SS Padlocking Handle.

Finish

- All exterior surfaces have a smooth grained finish, interior has a standard commercial finish
- Optional back panels are white polyester powder
- Optional "G" panels have a conductive finish (See page 15)

Accessories

- Optional N412MFKSS mounting foot kit must be ordered separately**
- Back panels (see reference tables)
- Window door (reference tables)
- See pages J1-J22.

N412 SS3PT SERIES SINGLE DOOR WALL MOUNT STAINLESS ENCLOSURES

CATALOG NUMBER	ENCLOSURE SIZE H X W X D	BACK PANEL CATALOG NUMBER*			BACK PANEL SIZE A X B
		WHITE	304 SS	"G"	
N412121206SS3PTC	12.00x12.00x6.00 (305x305x152)	NP1212C	NP1212SSC	NP1212CG	10.2x10.2 (259x259)
N412161206SS3PTC	16.00x12.00x6.00 (406x305x152)	NP1612C	NP1612SSC	NP1612CG	14.2x10.2 (361x259)
N412161606SS3PTC	16.00x16.00x6.00 (406x406x152)	NP1616C	NP1616SSC	NP1616CG	14.2x14.2 (361x361)
N412201606SS3PTC	20.00x16.00x6.00 (508x406x152)	NP2016C	NP2016SSC	NP2016CG	18.2x14.2 (462x361)
N412202006SS3PTC	20.00x20.00x6.00 (508x508x152)	NP2020C	NP2020SSC	NP2020CG	18.2x18.2 (462x462)
N412161208SS3PTC	16.00x12.00x8.00 (406x305x203)	NP1612C	NP1612SSC	NP1612CG	14.2x10.2 (361x259)
N412161608SS3PTC	16.00x16.00x8.00 (406x406x203)	NP1616C	NP1616SSC	NP1616CG	14.2x14.2 (361x361)
N412162008SS3PTC	16.00x20.00x8.00 (406x508x203)	NP1620C	NP1620SSC	NP1620CG	14.2x18.2 (361x462)
N412201608SS3PTC	20.00x16.00x8.00 (508x406x203)	NP2016C	NP2016SSC	NP2016CG	18.2x14.2 (462x361)
N412202008SS3PTC	20.00x20.00x8.00 (508x508x203)	NP2020C	NP2020SSC	NP2020CG	18.2x18.2 (462x462)
N412241608SS3PTC	24.00x16.00x8.00 (610x406x203)	NP2416C	NP2416SSC	NP2416CG	22.2x14.2 (564x361)
N412242008SS3PTC	24.00x20.00x8.00 (610x508x203)	NP2420C	NP2420SSC	NP2420CG	22.2x18.2 (564x462)
N412242408SS3PTC	24.00x24.00x8.00 (610x610x203)	NP2424C	NP2424SSC	NP2424CG	22.2x22.2 (564x564)
N412302408SS3PTC	30.00x24.00x8.00 (762x610x203)	NP3024C	NP3024SSC	NP3024CG	28.2x22.2 (716x564)
N412303008SS3PTC	30.00x30.00x8.00 (762x762x203)	NP3030C	NP3030SSC	NP3030CG	28.2x28.2 (716x716)
N412362408SS3PTC	36.00x24.00x8.00 (914x610x203)	NP3624C	NP3624SSC	NP3624CG	34.2x22.2 (869x564)

*Back panels must be ordered separately.

**Enclosures are supplied with closed cell neoprene gasket (not foam-in-place).

Continued on page E22

N412 - SS3PTC & SSA3PTC ULTIMATE SERIES ENCLOSURES NEMA 4X SINGLE DOOR WALL-MOUNT

N412 SS3PTC SERIES SINGLE DOOR WALL MOUNT STAINLESS ENCLOSURES CONT'D.

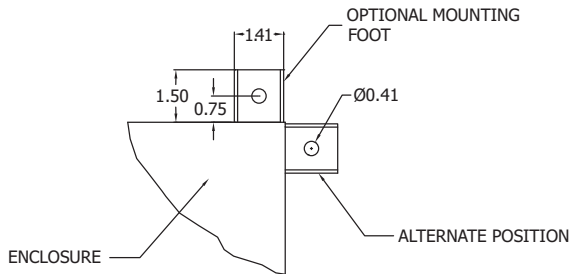
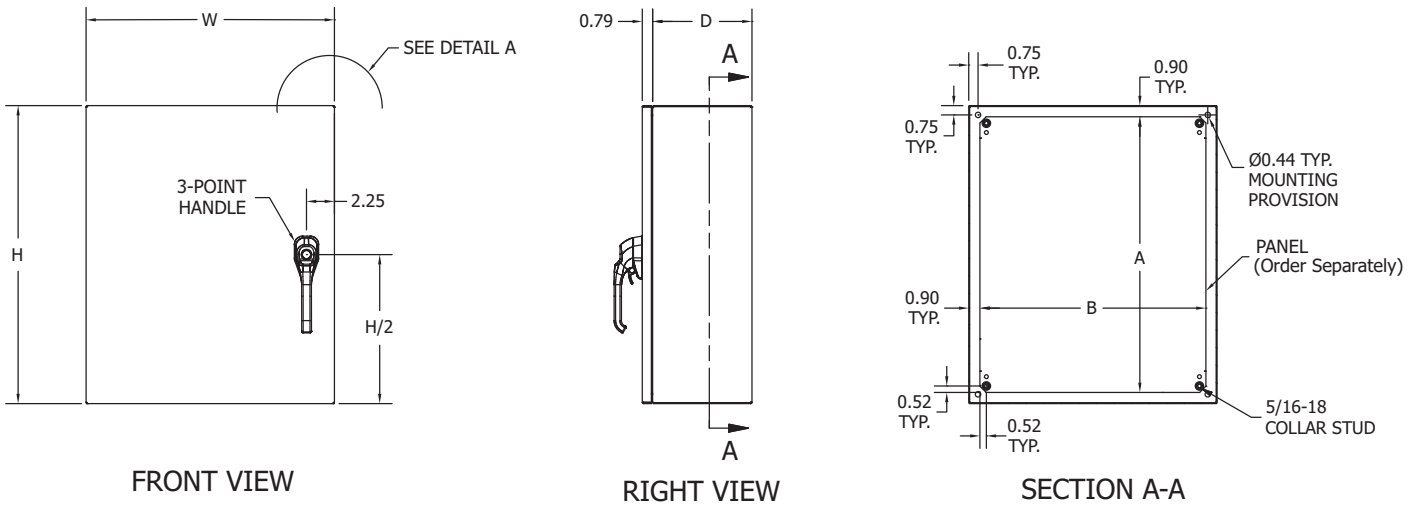
CATALOG NUMBER	ENCLOSURE SIZE H X W X D	BACK PANEL CATALOG NUMBER*			BACK PANEL SIZE A X B
		WHITE	304 SS	"G"	
N412363008SS3PTC	36.00x30.00x8.00 (914x762x203)	NP3630C	NP3630SSC	NP3630CG	34.2x28.2 (869x716)
N412202012SS3PTC	20.00x20.00x12.00 (508x508x305)	NP2020C	NP2020SSC	NP2020CG	18.2x18.2 (462x462)
N412242412SS3PTC	24.00x24.00x12.00 (610x610x305)	NP2424C	NP2424SSC	NP2424CG	22.2x22.2 (564x564)
N412302412SS3PTC	30.00x24.00x12.00 (762x610x305)	NP3024C	NP3024SSC	NP3024CG	28.2x22.2 (716x564)
N412362412SS3PTC	36.00x24.00x12.00 (914x610x305)	NP3624C	NP3624SSC	NP3624CG	34.2x22.2 (869x564)
N412363012SS3PTC	36.00x30.00x12.00 (914x762x305)	NP3630C	NP3630SSC	NP3630CG	34.2x28.2 (869x716)
N412363612SS3PTC	36.00x36.00x12.00 (914x914x305)	NP3636C	NP3636SSC	NP3636CG	34.2x34.2 (869x869)
N412423612SS3PTC	42.00x36.00x12.00 (1067x914x305)	NP4236C	NP4236SSC	NP4236CG	40.2x34.2 (1021x869)
N412483612SS3PTC**	48.00x36.00x12.00 (1219x914x305)	NP4836C	NP4836SSC	NP4836CG	46.2x34.2 (1173x869)
N412603612SS3PTC**	60.00x36.00x12.00 (1524x914x305)	NP6036C	NP6036SSC	NP6036CG	58.2x34.2 (1478x869)

N412 SSA3PTC SERIES SINGLE DOOR WALL MOUNT STAINLESS ENCLOSURES

CATALOG NUMBER	ENCLOSURE SIZE H X W X D	BACK PANEL CATALOG NUMBER*			BACK PANEL SIZE A X B
		WHITE	304 SS	"G"	
N412121206SSA3PTC	12.00x12.00x6.00 (305x305x152)	NP1212C	NP1212SSC	NP1212CG	10.2x10.2 (259x259)
N412161206SSA3PTC	16.00x12.00x6.00 (406x305x152)	NP1612C	NP1612SSC	NP1612CG	14.2x10.2 (361x259)
N412161606SSA3PTC	16.00x16.00x6.00 (406x406x152)	NP1616C	NP1616SSC	NP1616CG	14.2x14.2 (361x361)
N412201606SSA3PTC	20.00x16.00x6.00 (508x406x152)	NP2016C	NP2016SSC	NP2016CG	18.2x14.2 (462x361)
N412202006SSA3PTC	20.00x20.00x6.00 (508x508x152)	NP2020C	NP2020SSC	NP2020CG	18.2x18.2 (462x462)
N412161208SSA3PTC	16.00x12.00x8.00 (406x305x203)	NP1612C	NP1612SSC	NP1612CG	14.2x10.2 (361x259)
N412161608SSA3PTC	16.00x16.00x8.00 (406x406x203)	NP1616C	NP1616SSC	NP1616CG	14.2x14.2 (361x361)
N412162008SSA3PTC	16.00x20.00x8.00 (406x508x203)	NP1620C	NP1620SSC	NP1620CG	14.2x18.2 (361x462)
N412201608SSA3PTC	20.00x16.00x8.00 (508x406x203)	NP2016C	NP2016SSC	NP2016CG	18.2x14.2 (462x361)
N412202008SSA3PTC	20.00x20.00x8.00 (508x508x203)	NP2020C	NP2020SSC	NP2020CG	18.2x18.2 (462x462)
N412241608SSA3PTC	24.00x16.00x8.00 (610x406x203)	NP2416C	NP2416SSC	NP2416CG	22.2x14.2 (564x361)
N412242008SSA3PTC	24.00x20.00x8.00 (610x508x203)	NP2420C	NP2420SSC	NP2420CG	22.2x18.2 (564x462)
N412242408SSA3PTC	24.00x24.00x8.00 (610x610x203)	NP2424C	NP2424SSC	NP2424CG	22.2x22.2 (564x564)
N412302408SSA3PTC	30.00x24.00x8.00 (762x610x203)	NP3024C	NP3024SSC	NP3024CG	28.2x22.2 (716x564)
N412303008SSA3PTC	30.00x30.00x8.00 (762x762x203)	NP3030C	NP3030SSC	NP3030CG	28.2x28.2 (716x716)
N412362408SSA3PTC	36.00x24.00x8.00 (914x610x203)	NP3624C	NP3624SSC	NP3624CG	34.2x22.2 (869x564)
N412363008SSA3PTC	36.00x30.00x8.00 (914x762x203)	NP3630C	NP3630SSC	NP3630CG	34.2x28.2 (869x716)
N412202012SSA3PTC	20.00x20.00x12.00 (508x508x305)	NP2020C	NP2020SSC	NP2020CG	18.2x18.2 (462x462)
N412242412SSA3PTC	24.00x24.00x12.00 (610x610x305)	NP2424C	NP2424SSC	NP2424CG	22.2x22.2 (564x564)
N412302412SSA3PTC	30.00x24.00x12.00 (762x610x305)	NP3024C	NP3024SSC	NP3024CG	28.2x22.2 (716x564)
N412362412SSA3PTC	36.00x24.00x12.00 (914x610x305)	NP3624C	NP3624SSC	NP3624CG	34.2x22.2 (869x564)
N412363012SSA3PTC	36.00x30.00x12.00 (914x762x305)	NP3630C	NP3630SSC	NP3630CG	34.2x28.2 (869x716)
N412363612SSA3PTC	36.00x36.00x12.00 (914x914x305)	NP3636C	NP3636SSC	NP3636CG	34.2x34.2 (869x869)
N412423612SSA3PTC	42.00x36.00x12.00 (1067x914x305)	NP4236C	NP4236SSC	NP4236CG	40.2x34.2 (1021x869)
N412483612SSA3PTC**	48.00x36.00x12.00 (1219x914x305)	NP4836C	NP4836SSC	NP4836CG	46.2x34.2 (1173x869)
N412603612SSA3PTC**	60.00x36.00x12.00 (1524x914x305)	NP6036C	NP6036SSC	NP6036CG	58.2x34.2 (1478x869)

*Back panels must be ordered separately.

**Enclosures are supplied with closed cell neoprene gasket (not foam-in-place).



Notes:

1. Large Print Pocket (8 X 10) is furnished if H=20.00" or more and W=20.00" or more. Otherwise, small (6 X 6) print pocket is provided.
2. Two Hinges provided when H<36.00".
Three Hinges provided when H=36.00" or greater.
Four Hinges provided when H=48.00" or greater.

**N412 - CSSST ULTIMATE SERIES SLOPE-TOP ENCLOSURES
NEMA 12, 13, 4 & 4X STAINLESS SINGLE DOOR**



N412201612CSSST

Industry Standards

UL 508 Listed, Types 4, 4X, 12 & 13
CSA Certified, Types 4, 4X & 12 & 13
NEMA/EEMAC Type 4, 4X, 12 & 13

 UL Files E64791

 CSA File LL66078

FEATURES-SPECIFICATIONS

Applications

Hubbell Wiegmann N412CSSST ULTIMATE Series Enclosures are designed to house and protect electrical and electronic components from harsh, dirty environments. For use in installations where dirt, dust, oil, water, or other contaminants are present. Streamlined styling, flush latching, and attractive durable finish complement any high tech electronic equipment.

Construction

- Bodies and doors fabricated from 14 gauge 304 stainless steel.
- Continuously Plasma welded seams
- Increased tub opening for better access

- 20° sloped top
- Sloped “Top tub flange”
- Concealed hinges
- Doors are interchangeable and easily removable
- Grounding provisions provided
- 1/4-turn semi-flush oil tight latches are supplied to hold door securely closed
- Print pocket is provided
- Doors are sealed with poured-in-place polyurethane gasket**
- Mounting holes in rear of enclosure
- Studs for mounting optional back panel (the Ultimate back panels

have increased in size to accommodate larger foot-print installations)

- Ultimate Accessory Driven

Finish

- All exterior surfaces have a smooth grained finish
- Optional back panels are white polyester powder
- Optional “G” panels have a conductive finish (See page I5)

Accessories

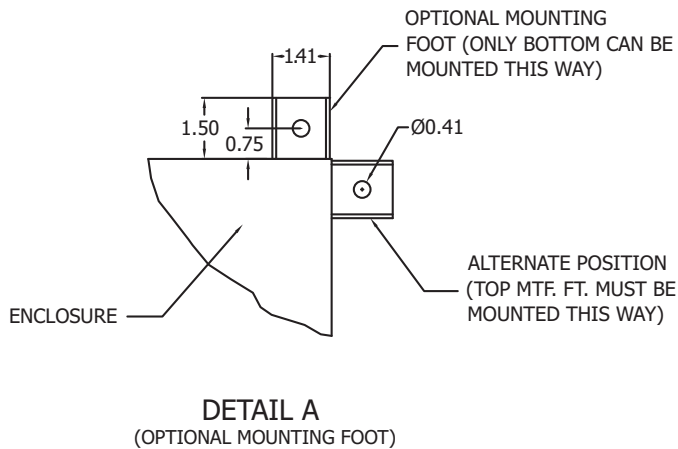
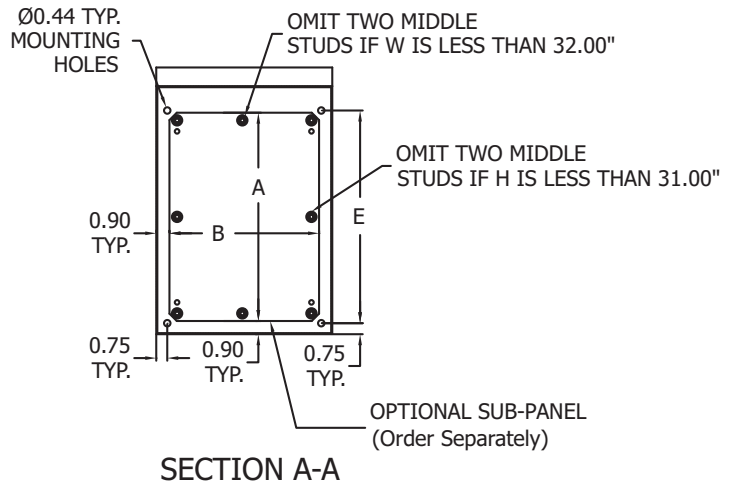
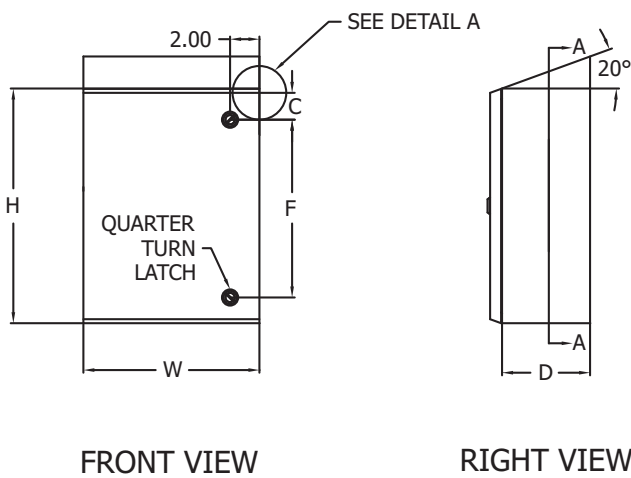
- Optional N412MFKSS mounting foot kit must be ordered separately**
- Back panels (see reference tables)
- See pages J1-J22.

N412 CSSST ULTIMATE SERIES ENCLOSURES NEMA 4X STAINLESS SLOPE TOP SINGLE DOOR					
CATALOG NUMBER	ENCLOSURE SIZE H X W X D	BACK PANEL CATALOG NUMBER*			BACK PANEL SIZE A X B
		WHITE	304 SS	“G”	
N412161208CSSST	16.00x12.00x 8.00 (406x305x203)	NP1612	NP1612SSC	NP1612G	14.2x10.2 (361x259)
N412161608CSSST	16.00x16.00x 8.00 (406x406x203)	NP1616	NP1616SSC	NP1616G	14.2x14.2 (361x361)
N412201608CSSST	20.00x16.00x 8.00 (508x406x203)	NP2016	NP2016SSC	NP2016G	18.2x14.2 (462x361)
N412201612CSSST	20.00x16.00x12.00 (508x406x305)	NP2016	NP2016SSC	NP2016G	18.2x14.2 (462x361)
N412202008CSSST	20.00x20.00x 8.00 (508x508x203)	NP2020	NP2020SSC	NP2020G	18.2x18.2 (462x462)
N412202012CSSST	20.00x20.00x12.00 (508x508x305)	NP2020	NP2020SSC	NP2020G	18.2x18.2 (462x462)
N412242008CSSST	24.00x20.00x 8.00 (610x508x203)	NP2420	NP2420SSC	NP2420G	22.2x18.2 (564x462)
N412242408CSSST	24.00x24.00x 8.00 (610x610x203)	NP2424	NP2424SSC	NP2424G	22.2x22.2 (564x564)
N412242412CSSST	24.00x24.00x12.00 (610x610x305)	NP2424	NP2424SSC	NP2424G	22.2x22.2 (564x564)
N412302408CSSST	30.00x24.00x 8.00 (762x610x203)	NP3024	NP3024SSC	NP3024G	28.2x22.2 (716x564)
N412302412CSSST	30.00x24.00x12.00 (762x610x305)	NP3024	NP3024SSC	NP3024G	28.2x22.2 (716x564)
N412303008CSSST	30.00x30.00x 8.00 (762x762x203)	NP3030	NP3030SSC	NP3030G	28.2x28.2 (716x716)
N412363008CSSST	36.00x30.00x 8.00 (914x762x203)	NP3630	NP3630SSC	NP3630G	34.2x28.2 (869x716)
N412363012CSSST	36.00x30.00x12.00 (914x762x305)	NP3630	NP3630SSC	NP3630G	34.2x28.2 (869x716)
N412363016CSSST	36.00x30.00x16.00 (914x762x406)	NP3630	NP3630SSC	NP3630G	34.2x28.2 (869x716)
N412363612CSSST	36.00x36.00x12.00 (914x914x305)	NP3636	NP3636SSC	NP3636G	34.2x34.2 (869x869)
N412483616CSSST**	48.00x36.00x16.00 (1219x914x406)	NP4836	NP4836SSC	NP4836G	46.2x34.2 (1173x869)
N412603616CSSST**	60.00x36.00x16.00 (1524x914x406)	NP6036	NP6036SSC	NP6036G	58.2x34.2 (1478x869)

*Back panels must be ordered separately.

**Enclosures are supplied with closed cell neoprene gasket (not foam-in-place).

Continued on page E24



Notes:

1. Large Print Pocket (8 X 10) is furnished if H=20.00" or more and W=20.00" or more. Otherwise, small (6 X 6) print pocket is provided.
2. Two Hinges provided with H<36.00". Three Hinges provided when H=36.00" or greater. Four Hinges provided when H=48.00" or greater.

SSN4 - WF3PT SERIES ENCLOSURES NEMA 4X STAINLESS STEEL WALL MOUNT



SSN4244208WF3PT

Industry Standards

UL 508 Listed, Types 12, (4, 4X pending)
CSA Certified, Types 12, (4, 4X pending)
NEMA/EEMAC Type 12

 UL Files E64791

 CSA File LL66078

FEATURES-SPECIFICATIONS

Applications

SSN4WF Series are intended for use in housing electrical and electronic controls, instruments, components, and associated wiring, these enclosures incorporate double-hinged doors which provide convenient access. Designed for outdoor use in protecting components from dust, dirt, oil, and water..

Construction

- Bodies and doors fabricated from 14 gauge steel.
- Continuously welded seams ground smooth, less knockouts or holes.
- Body stiffeners are added in larger enclosures for extra rigidity.
- Rolled lip around all side of enclosure opening is provided to exclude liquids and contaminants.

- Two independent doors with removable center post.
- 3 PT 316L SS padlocking handles
- Doors are removable by pulling heavy gauge stainless continuous hinge pin.
- Doors are sealed with a poured in place polyurethane gasket.
- Collar studs are provided for mounting optional sub panels.
- External mounting feet are provided for mounting.
- Grounding provisions provided.
- Removable print pocket is provided

Finish

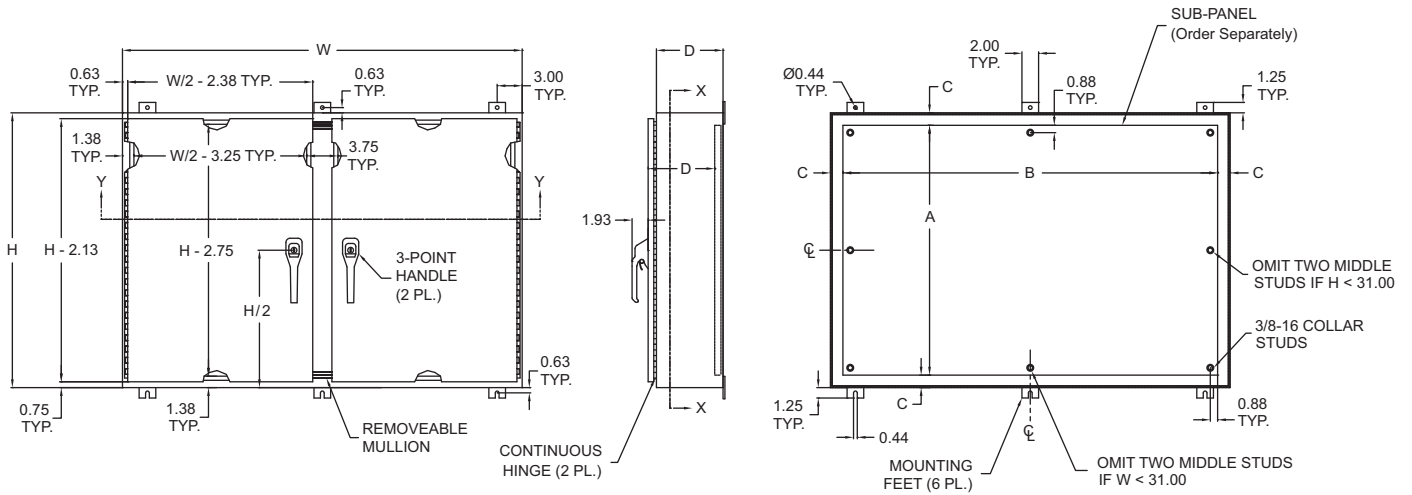
- Doors, sides, top, bottom have a grained smooth service.
- Optional back panels are white polyester powder
- Optional "G" panels have a conductive finish (See pages I5)

Accessories

- See pages I4 for Sub Panels
- Back panels (see reference tables)
- See pages J1-J22.

SSN4-WF3PT SERIES ENCLOSURES NEMA 4X STAINLESS STEEL WALL MOUNT							
CATALOG NUMBER	ENCLOSURE SIZE H X W X D	BACK PANEL CATALOG NUMBER*		BACK PANEL SIZE A X B	STIFFENER		
		WHITE	"G".		DOOR	BODY	
SSN4244208WF3PT	24.00x42.00x 8.00 (610x1067x203)	NP4224	NP4224G	21.00x39.00 (991x533)	No	No	
SSN4244808WF3PT	24.00x48.00x 8.00 (610x1219x203)	NP4824	NP4824G	21.00x45.00 (533x1143)	No	No	
SSN4304210WF3PT	30.00x42.00x10.00 (762x1067x254)	NP4230	NP4230G	27.00x39.00 (686x991)	No	No	
SSN4304810WF3PT	30.00x48.00x10.00 (762x1219x254)	NP4830	NP4830G	27.00x45.00 (1143x686)	No	No	
SSN4306010WF3PT	30.00x60.00x10.00 (762x1524x254)	NP6030	NP6030G	27.00x57.00 (686x1448)	No	No	
SSN4364212WF3PT	36.00x42.00x12.00 (914x1067x305)	NP4236	NP4236G	33.00x39.00 (838x991)	No	No	
SSN4364812WF3PT	36.00x48.00x12.00 (914x1219x305)	NP4836	NP4836G	33.00x45.00 (838x1143)	No	No	
SSN4366012WF3PT	36.00x60.00x12.00 (914x1524x305)	NP6036	NP6036G	33.00x57.00 (838x1448)	No	No	
SSN4424212WF3PT	42.00x42.00x12.00 (1067x1067x305)	NPDD4242	NPDD4242G	39.00x39.00 (991x991)	No	Yes	
SSN4424812WF3PT	42.00x48.00x12.00 (1067x1219x305)	NPDD4842	NPDD4842G	39.00x45.00 (991x1143)	No	Yes	
SSN4426012WF3PT	42.00x60.00x12.00 (1067x1524x305)	NPDD4260	NPDD4260G	38.00x56.00 (965x1422)	No	Yes	
SSN4484812WF3PT	48.00x48.00x12.00 (1219x1219x305)	NPDD4848	NPDD4848G	44.00x44.00 (1118x1118)	No	Yes	

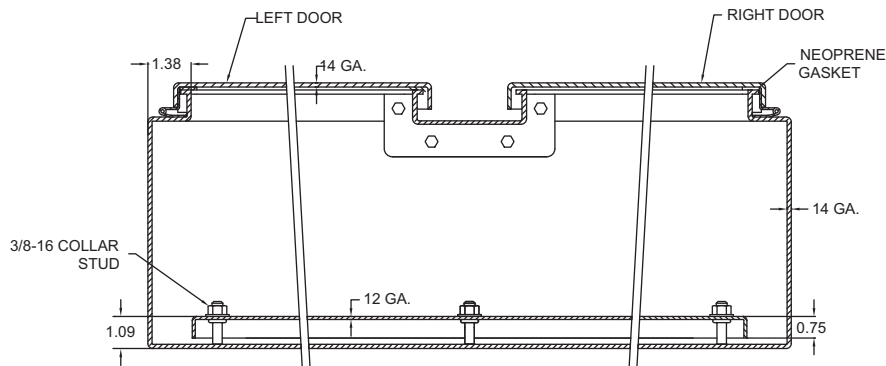
*Back panels must be ordered separately.



FRONT VIEW

SIDE VIEW

SECTION X-X



SECTION Y-Y
NOT TO SCALE

SSN4 SERIES ENCLOSURES NEMA 4X SINGLE DOOR WALL-MOUNT



SSN4161206

Industry Standards

UL 508, Types 4, 4X, 12 & 13
CSA Certified, Types 4 & 12
NEMA/EEMAC Type 4, 4X, 12 & 13

 UL Files E64791

 CSA File LL66078

FEATURES-SPECIFICATIONS

Applications

Provides unmatched protection for housing electrical components in highly corrosive environments. This enclosure is used in indoor and outdoor settings that are frequently wet or have constant exposure to water, other liquids, or contaminants.

A wide variety of type 316L stainless steel enclosures are available specifically for applications in food processing plants and offshore oil exploration.

Construction

- Bodies and doors fabricated from 14 gauge type 304 or 316L stainless steel. 316L stainless steel has the best corrosion resistance of the standard types of stainless steel available

- Continuously plasma welded seams
- Door and body stiffeners are included in larger enclosures for added rigidity
- A rolled lip around three sides of door and all sides of enclosure opening provided to exclude liquids and contaminants
- Quick and easy to operate stainless steel door clamps are provided
- Hasp and staple is provided for padlocking
- Doors are sealed with poured-in-place polyurethane gasket
- Collar studs for mounting optional back panels
- Print pocket is provided
- External mounting feet are provided for mounting enclosures
- Grounding provisions provided

Finish

- All exterior surfaces of enclosures have a smooth grained finish
- Optional back panels are white polyester powder (See page I4)
- Optional "G" panels have a conductive finish (See page I4)

Accessories

- Back panels (reference tables)
- See pages J1-J22

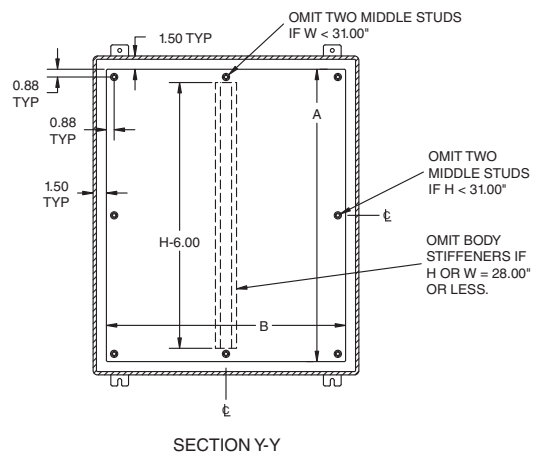
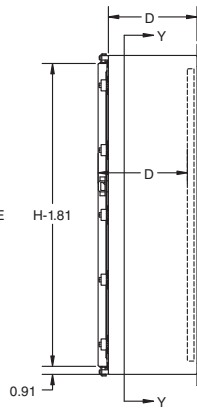
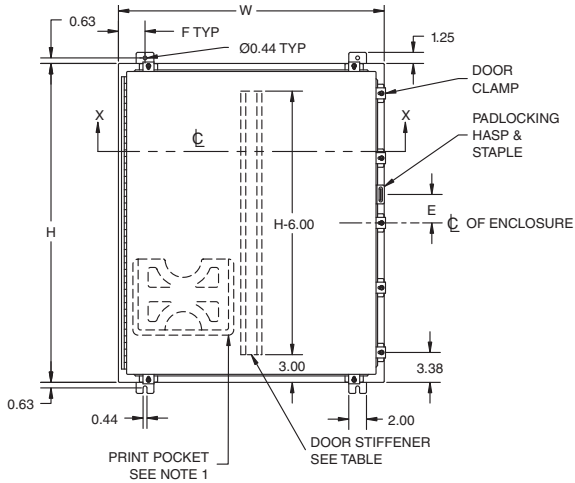
SSN4 SERIES SINGLE DOOR STAINLESS ENCLOSURES									
CATALOG NUMBER		ENCLOSURE SIZE H X W X D	BACK PANEL CATALOG NUMBER*			BACK PANEL SIZE A X B	STIFFENER		E
304 SS	316L SS		WHITE	304 SS	"G"		DOOR	BODY	
SSN4161206	SSN4161206A	16.00x12.00x6.00 (406x305x152)	NP1612	NP1612SS	NP1612G	13.00x 9.00 (330x229)	No	No	—
SSN4161606	SSN4161606A	16.00x16.00x6.00 (406x406x152)	NP1616	NP1616SS	NP1616G	13.00x13.00 (330x330)	No	No	—
SSN4162006	SSN4162006A	16.00x20.00x6.00 (406x508x152)	NP2016	NP2016SS	NP2016G	13.00x17.00 (330x432)	No	No	—
SSN4201606	SSN4201606A	20.00x16.00x6.00 (508x406x152)	NP2016	NP2016SS	NP2016G	17.00x13.00 (432x330)	No	No	—
SSN4202006	SSN4202006A	20.00x20.00x6.00 (508x508x152)	NP2020	NP2020SS	NP2020G	17.00x17.00 (432x432)	No	No	—
SSN4242006	SSN4242006A	24.00x20.00x6.00 (610x508x152)	NP2420	NP2420SS	NP2420G	21.00x17.00 (533x432)	No	No	4.313 (110)
—	SSN4242406A	24.00x24.00x6.00 (610x610x152)	NP2424	NP2424SS	NP2424G	21.00x21.00 (533x533)	No	No	4.313 (110)
SSN4161208	SSN4161208A	16.00x12.00x8.00 (406x305x203)	NP1612	NP1612SS	NP1612G	13.00x 9.00 (330x229)	No	No	—
SSN4201608	SSN4201608A	20.00x16.00x8.00 (508x406x203)	NP2016	NP2016SS	NP2016G	17.00x13.00 (432x330)	No	No	—
—	SSN4202008A	20.00x20.00x8.00 (508x508x203)	NP2020	NP2020SS	NP2020G	17.00x17.00 (432x432)	No	No	—
SSN4202408	SSN4202408A	20.00x24.00x8.00 (508x610x203)	NP2420	NP2420SS	NP2420G	17.00x21.00 (432x533)	No	No	—
SSN4241608	SSN4241608A	24.00x16.00x8.00 (610x406x203)	NP2416	NP2416SS	NP2416G	21.00x13.00 (533x330)	No	No	4.313 (110)
SSN4242008	SSN4242008A	24.00x20.00x8.00 (610x508x203)	NP2420	NP2420SS	NP2420G	21.00x17.00 (533x432)	No	No	4.313 (110)
SSN4242408	SSN4242408A	24.00x24.00x8.00 (610x610x203)	NP2424	NP2424SS	NP2424G	21.00x21.00 (533x533)	No	No	4.313 (110)
SSN4243008	SSN4243008A	24.00x30.00x8.00 (610x762x203)	NP3024	NP3024SS	NP3024G	21.00x27.00 (533x686)	No	No	4.313 (110)
SSN4302008	SSN4302008A	30.00x20.00x8.00 (762x508x203)	NP3020	NP3020SS	NP3020G	27.00x17.00 (686x432)	No	No	5.813 (148)

*Back panels must be ordered separately.

Continued on page E28

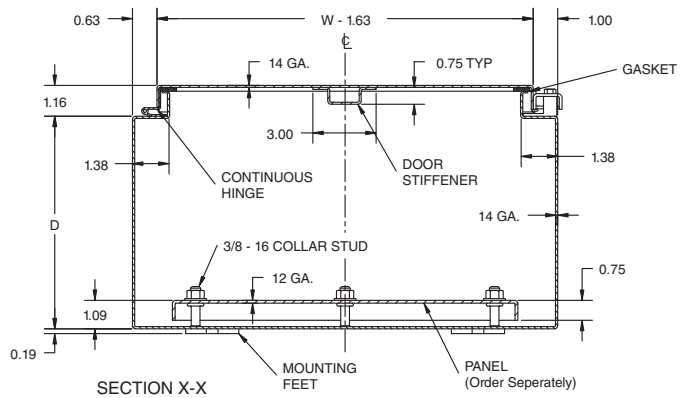
SSN4 SERIES SINGLE DOOR STAINLESS ENCLOSURES (CONT.)									
CATALOG NUMBER		ENCLOSURE SIZE H X W X D	BACK PANEL CATALOG NUMBER*			BACK PANEL SIZE A X B	STIFFENER		E
304 SS	316L SS		WHITE	304 SS	"G"		DOOR	BODY	
SSN4302408	SSN4302408A	30.00x24.00x8.00 (762x610x203)	NP3024	NP3024SS	NP3024G	27.00x21.00 (686x533)	No	No	5.813 (148)
SSN4303008	SSN4303008A	30.00x30.00x8.00 (762x762x203)	NP3030	NP3030SS	NP3030G	27.00x27.00 (686x686)	No	Yes	5.813 (148)
SSN4362408	SSN4362408A	36.00x24.00x8.00 (914x610x203)	NP3624	NP3624SS	NP3624G	33.00x21.00 (838x533)	No	No	7.313 (186)
SSN4363008	SSN4363008A	36.00x30.00x8.00 (914x762x203)	NP3630	NP3630SS	NP3630G	33.00x27.00 (838x686)	No	Yes	7.313 (186)
SSN4423608	SSN4423608A	42.00x36.00x8.00 (1067x914x203)	NP4236	NP4236SS	NP4236G	39.00x33.00 (991x838)	Yes	Yes	—
SSN4483608	SSN4483608A	48.00x36.00x8.00 (1219x914x203)	NP4836	NP4836SS	NP4836G	45.00x33.00 (1143x838)	Yes	Yes	—
SSN4201610	SSN4201610A	20.00x16.00x10.00 (508x406x254)	NP2016	NP2016SS	NP2016G	17.00x13.00 (432x330)	No	No	—
SSN4242010	SSN4242010A	24.00x20.00x10.00 (610x508x254)	NP2420	NP2420SS	NP2420G	21.00x17.00 (533x432)	No	No	4.313 (110)
SSN4302410	SSN4302410A	30.00x24.00x10.00 (762x610x254)	NP3024	NP3024SS	NP3024G	27.00x21.00 (686x533)	No	No	5.813 (148)
SSN4362410	SSN4362410A	36.00x24.00x10.00 (914x610x254)	NP3624	NP3624SS	NP3624G	33.00x21.00 (838x533)	No	No	7.313 (186)
SSN4363010	SSN4363010A	36.00x30.00x10.00 (914x762x254)	NP3630	NP3630SS	NP3630G	33.00x27.00 (838x686)	No	Yes	7.313 (186)
SSN4423010	SSN4423010A	42.00x30.00x10.00 (1067x762x254)	NP4230	NP4230SS	NP4230G	39.00x27.00 (991x686)	Yes	Yes	—
SSN4483610	SSN4483610A	48.00x36.00x10.00 (1219x914x254)	NP4836	NP4836SS	NP4836G	45.00x33.00 (1143x838)	Yes	Yes	—
SSN424212	SSN424212A	24.00x24.00x12.00 (610x610x305)	NP2424	NP2424SS	NP2424G	21.00x21.00 (533x533)	No	No	4.313 (110)
SSN4302412	SSN4302412A	30.00x24.00x12.00 (762x610x305)	NP3024	NP3024SS	NP3024G	27.00x21.00 (686x533)	No	No	5.813 (148)
SSN4363012	SSN4363012A	36.00x30.00x12.00 (914x762x305)	NP3630	NP3630SS	NP3630G	33.00x27.00 (838x686)	No	Yes	7.313 (186)
SSN4363612	SSN4363612A	36.00x36.00x12.00 (914x914x305)	NP3636	NP3636SS	NP3636G	33.00x33.00 (838x838)	Yes	Yes	7.313 (186)
SSN4483612**	SSN4483612A	48.00x36.00x12.00 (1219x914x305)	NP4836	NP4836SS	NP4836G	45.00x33.00 (1143x838)	Yes	Yes	—
SSN4603612**	SSN4603612A	60.00x36.00x12.00 (1524x914x305)	NP6036	NP6036SS	NP6036G	57.00x33.00 (1448x838)	Yes	Yes	6.656 (169)
SSN4302416**	SSN4302416A	30.00x24.00x16.00 (762x610x406)	NP3024	NP3024SS	NP3024G	27.00x21.00 (686x533)	No	No	5.813 (148)
SSN4363016**	SSN4363016A	36.00x30.00x16.00 (914x762x406)	NP3630	NP3630SS	NP3630G	33.00x27.00 (838x686)	No	Yes	7.313 (186)
SSN4483616**	SSN4483616A	48.00x36.00x16.00 (1219x914x406)	NP4836	NP4836SS	NP4836G	45.00x33.00 (1143x838)	Yes	Yes	—
SSN4603616**	SSN4603616A	60.00x36.00x16.00 (1524x914x406)	NP6036	NP6036SS	NP6036G	57.00x33.00 (1448x838)	Yes	Yes	6.656 (169)

*Back panels must be ordered separately **Enclosures are supplied with closed cell neoprene gasket (not foam-in-place).



NOTES:

1. Large print pocket (8x10) is furnished if H = 20.00" or more and W = 20.00" or more. Otherwise small (6x6) print pocket is provided.
2. Panels are made from 12 Ga. steel.
3. Panels have flanges along all sides when either dimension exceeds 17".
4. The number of door clamps is dependent on size of enclosure. Clamps are furnished along three sides of door.
5. F = 3" when W is 16" or greater and 1-1/4" when W is 12" or less.





ALN4161206

Industry Standards

UL 508, Types 4, 4X, 12 & 13

CSA Certified, Types 4 & 12

NEMA/EEMAC Types 4, 12 & 13

 UL File E64791

 CSA File LL66078

FEATURES-SPECIFICATIONS
Applications

This lightweight enclosure provides long-lasting protection for housing electrical components in highly corrosive environments. It is used in both indoor and outdoor settings that are frequently wet or have constant exposure to water, other liquids, or contaminants. Suitable for use in petro-chemical plants, sewage plants, marine environments, and similar installations.

Construction

- Bodies and doors fabricated from .080-inch thick (2 millimeters) 5052-H32 aluminum
- Continuously welded seams ground smooth, no holes or knockouts

- Door and body stiffeners are provided in larger enclosures for extra rigidity
- Rolled lip on three sides of door and all sides of enclosure opening is provided to exclude liquids and contaminants
- Quick and easy to operate stainless steel door clamps are provided
- Doors are removable by pulling stainless steel continuous hinge pin
- Hasp and staple for padlocking
- Print pocket is provided
- Closed cell oil resistant neoprene gasket
- Collar studs provided for mounting optional sub panels
- External mounting feet for mounting enclosure

- Grounding provisions provided
- **Optional** back panels must be ordered separately

Finish

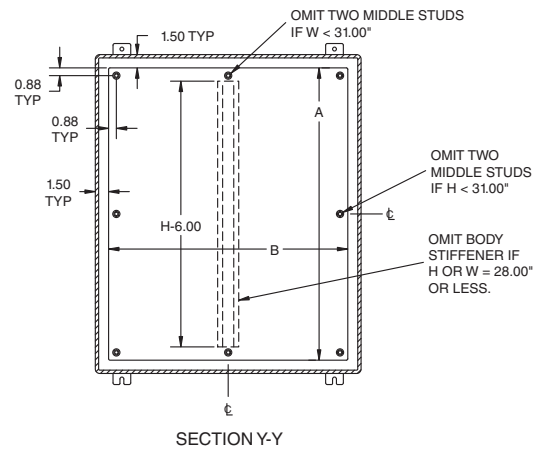
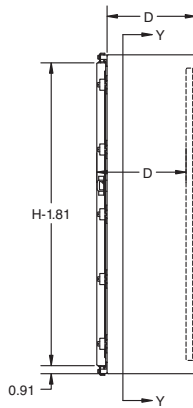
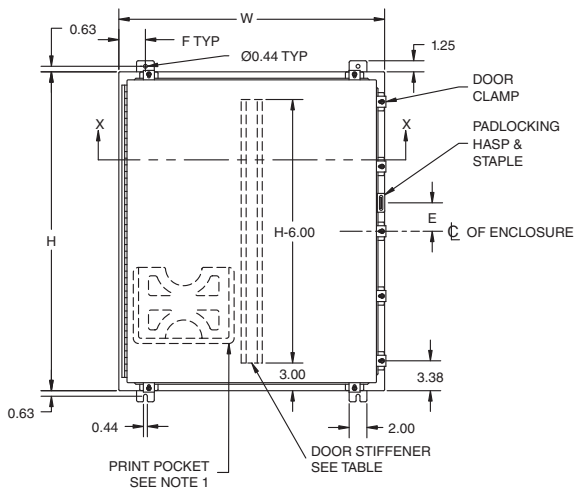
- All exterior surfaces of enclosures have a smooth grained finish
- **Optional** aluminum back panels are unpainted (See page 14)
- **Optional** steel back panels are white polyester powder (See page 14)

Accessories

- Back panels (reference tables)
- See pages J1-J22

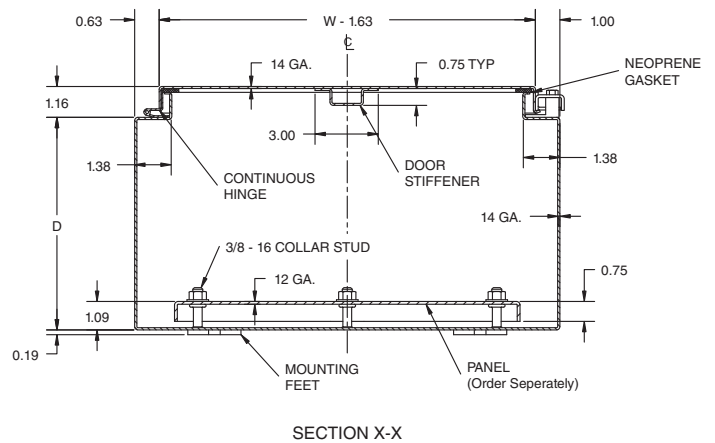
ALN4 SERIES SINGLE DOOR ALUMINUM ENCLOSURES									
CATALOG NUMBER	ENCLOSURE SIZE H X W X D	BACK PANEL CATALOG NUMBER*		BACK PANEL SIZE A X B	F	STIFFENER		E	
		WHITE	ALUM.			DOOR	BODY		
ALN4161206	16.00x12.00x6.00 (406x305x152)	NP1612	ALNP1612	13.00x 9.00 (330x229)	1.25 (32)	No	No	—	
ALN4201606	20.00x16.00x 6.00 (508x406x152)	NP2016	ALNP2016	17.00x13.00 (432x330)	3.00 (76)	No	No	—	
ALN4202006	20.00x20.00x 6.00 (508x508x152)	NP2020	ALNP2020	17.00x17.00 (432x432)	3.00 (76)	No	No	—	
ALN4242006	24.00x20.00x 6.00 (610x508x152)	NP2420	ALNP2420	21.00x17.00 (533x432)	3.00 (76)	No	No	4.313 (110)	
ALN4161608	16.00x16.00x 8.00 (406x406x203)	NP1616	ALNP1616	13.00x13.00 (330x330)	3.00 (76)	No	No	—	
ALN4242408	24.00x24.00x 8.00 (610x610x203)	NP2424	ALNP2424	21.00x21.00 (533x533)	3.00 (76)	No	No	4.313 (110)	
ALN4302408	30.00x24.00x 8.00 (762x610x203)	NP3024	ALNP3024	27.00x21.00 (686x533)	3.00 (76)	No	No	5.813 (148)	
ALN4362408	36.00x24.00x 8.00 (914x610x203)	NP3624	ALNP3624	33.00x21.00 (838x533)	3.00 (76)	No	No	7.313 (186)	
ALN4363008	36.00x30.00x 8.00 (914x762x203)	NP3630	ALNP3630	33.00x27.00 (838x686)	3.00 (76)	No	Yes	7.313 (186)	
ALN4483608	48.00x36.00x 8.00 (1219x914x203)	NP4836	ALNP4836	45.00x33.00 (1143x838)	3.00 (76)	Yes	Yes	—	
ALN4201610	20.00x16.00x10.00 (508x406x254)	NP2016	ALNP2016	17.00x13.00 (432x330)	3.00 (76)	No	No	—	
ALN4242010	24.00x20.00x10.00 (610x508x254)	NP2420	ALNP2420	21.00x17.00 (533x432)	3.00 (76)	No	No	4.313 (110)	
ALN4242410	24.00x24.00x10.00 (610x610x254)	NP2424	ALNP2424	21.00x21.00 (533x533)	3.00 (76)	No	No	4.313 (110)	
ALN4302412	30.00x24.00x12.00 (762x610x305)	NP3024	ALNP3024	27.00x21.00 (686x533)	3.00 (76)	No	No	5.813 (148)	
ALN4363012	36.00x30.00x12.00 (914x762x305)	NP3630	ALNP3630	33.00x27.00 (838x686)	3.00 (76)	No	Yes	7.313 (186)	
ALN4603612	60.00x36.00x12.00 (1524x914x305)	NP6036	ALNP6036	57.00x33.00 (1448x838)	3.00 (76)	Yes	Yes	6.656 (169)	

*Back panels must be ordered separately.



NOTES:

1. Large print pocket (8X10) is furnished if H = 20.00" or more and W = 20.00" or more. Otherwise small (6X6) print pocket is provided.
2. Panels made from 12 Ga. steel or 10 Ga. Aluminum.
3. Panels have flanges along all sides when either dimension exceeds 17".
4. The number of door clamps is dependent on size of enclosure. Clamps are furnished along three sides of door.
5. F = 3" when W is 16" or greater and 1-1/4" when W is 12" or less.



SSN4 - 3PT SERIES ENCLOSURES NEMA 4X 304 & 316L SS SINGLE DOOR WALL-MOUNT



SSN42420063PT

Industry Standards

UL 508, Types 4, 4X, 12 & 13
CSA Certified, Types 4 & 12
NEMA/EEMAC Types 4, 12 & 13

 UL File E64791

 CSA File LL66078

FEATURES-SPECIFICATIONS

Applications

Provides unmatched protection for housing electrical components in highly corrosive environments. This enclosure is used in indoor and outdoor settings that are frequently wet or have constant exposure to water, other liquids, or contaminants.

A wide variety of type 316L stainless steel enclosures are available specifically for applications in food processing plants and offshore oil exploration.

Construction

- Bodies and doors fabricated from 14 gauge type 304 or 316L stainless steel. 316L stainless steel has the best corrosion resistance of the standard types of stainless steel available

- Continuously plasma welded seams
- Door and body stiffeners are included in larger enclosures for added rigidity
- A rolled lip around three sides of door and all sides of enclosure opening provided to exclude liquids and contaminants
- Quick and easy to operate stainless steel door clamps are provided
- Doors are sealed with poured-in-place polyurethane gasket
- Collar studs for mounting optional back panels
- With a 3PT 316L SS padlocking handle
- Print pocket is provided
- External mounting feet are provided for mounting enclosures
- Grounding provisions provided

Finish

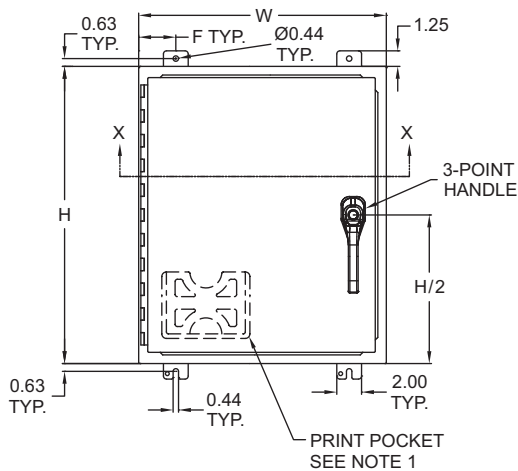
- All exterior surfaces of enclosures have a smooth grained finish
- Optional back panels are white polyester powder
- Optional "G" panels have a conductive finish (See page I4)

Accessories

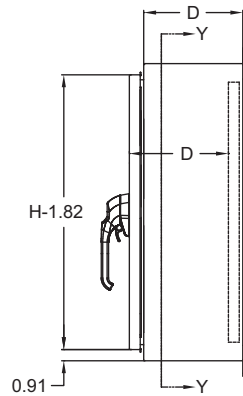
- Back panels (reference tables)
- See pages J1-J22

SSN4 3PT SERIES SINGLE DOOR STAINLESS ENCLOSURES									
CATALOG NUMBER		ENCLOSURE SIZE H X W X D	BACK PANEL CATALOG NUMBER*			BACK PANEL SIZE A X B	STIFFENER		
304 SS	316L SS		WHITE	304 SS	"G"		DOOR	BODY	
SSN42420063PT	—	24.00x20.00x 6.00 (610x508x152)	NP2420	NP2420SS	NP2420G	21.00x17.00 (533x432)	No	No	
SSN42420083PT	SSN42420083PTA	24.00x20.00x 8.00 (610x508x203)	NP2420	NP2420SS	NP2420G	21.00x17.00 (533x432)	No	No	
SSN42420103PT	SSN42420103PTA	24.00x20.00x10.00 (610x610x254)	NP2420	NP2420SS	NP2420G	21.00x17.00 (533x432)	No	No	
SSN42424083PT	SSN42424083PTA	24.00x24.00x 8.00 (610x610x203)	NP2424	NP2424SS	NP2424G	21.00x21.00 (533x533)	No	No	
SSN42424123PT	SSN42424123PTA	24.00x24.00x12.00 (610x610x305)	NP2424	NP2424SS	NP2424G	21.00x21.00 (533x533)	No	No	
SSN43024083PT	SSN43024083PTA	30.00x24.00x 8.00 (762x610x203)	NP3024	NP3024SS	NP3024G	27.00x21.00 (686x533)	No	No	
SSN43024123PT	SSN43024123PTA	30.00x24.00x12.00 (762x610x305)	NP3024	NP3024SS	NP3024G	27.00x21.00 (686x533)	No	No	
SSN43030083PT	SSN43030083PTA	30.00x30.00x 8.00 (762x762x203)	NP3030	NP3030SS	NP3030G	27.00x27.00 (686x686)	No	Yes	
SSN43624083PT	SSN43624083PTA	36.00x24.00x 8.00 (914x610x203)	NP3624	NP3624SS	NP3624G	33.00x21.00 (838x533)	No	No	
SSN43630083PT	SSN43630083PTA	36.00x30.00x 8.00 (914x762x203)	NP3630	NP3630SS	NP3630G	33.00x27.00 (838x686)	No	Yes	
SSN43630103PT	SSN43630103PTA	36.00x30.00x10.00 (914x762x254)	NP3630	NP3630SS	NP3630G	33.00x27.00 (838x686)	No	No	
SSN43630123PT	SSN43630123PTA	36.00x30.00x12.00 (914x762x305)	NP3630	NP3630SS	NP3630G	33.00x27.00 (838x686)	No	No	
SSN43636123PT	SSN43636123PTA	36.00x36.00x12.00 (914x914x305)	NP3636	NP3636SS	NP3636G	33.00x33.00 (838x838)	No	No	

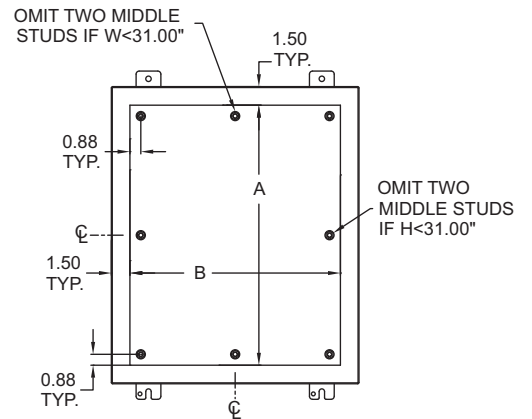
*Back panels must be ordered separately.



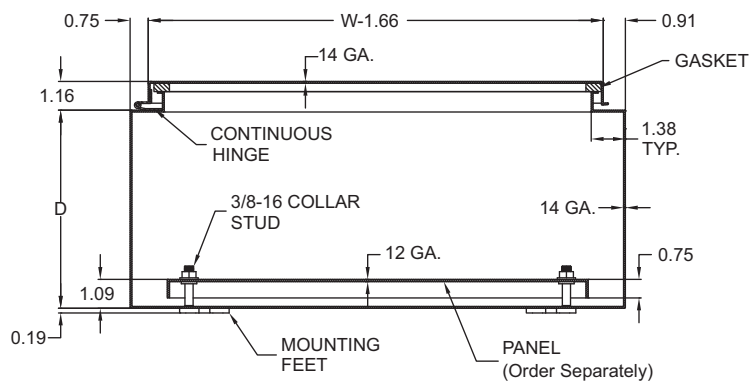
FRONT VIEW



SIDE VIEW



SECTION Y-Y



SECTION X-X

Notes:

1. Large Print Pocket (8 X 10) is furnished if H=20.00" or more and W=20.00" or more. Otherwise, small (6 X 6) print pocket is provided.
2. Panels are made from 12 Ga. steel.
3. Panels have flanges along all sides when either dimension exceeds 17.00".
4. F = 3.00" when W is 16.00" or greater and 1-1/4" when W is 12.00" or less.

**SSN4-3PTW SERIES ENCLOSURES
(PAINTED WHITE) NEMA 4X SINGLE DOOR WALL-MOUNT**


SSN43024083PTW

Industry Standards

UL 508, Types 12 & 13
(Types 4 & 4X pending)
CSA Certified, Types 12 & 13
(Types 4 & 4X pending)
NEMA/EEMAC Types 12 & 13

 UL File E64791

 CSA File LL66078

FEATURES-SPECIFICATIONS
Applications

SSN43PTW Series provides unmatched protection for housing electrical components in highly corrosive environments. This enclosure is used in indoor and outdoor settings that are frequently wet or have constant exposure to water, other liquids, or contaminants.

A wide variety of type 316L stainless steel enclosures are available specifically for applications in food processing plants and offshore oil exploration.

Construction

- Bodies and doors fabricated from 14 gauge type 304 or 316L stainless steel. 316L stainless steel has the best corrosion resistance of the standard types of stainless steel available

- Continuously welded seams ground smooth, less holes or knockouts
- Door and body stiffeners are included in larger enclosures for added rigidity
- A rolled lip around three sides of door and all sides of enclosure opening provided to exclude liquids and contaminants
- Quick and easy to operate 3PT padlocking handle installed
- Doors are removable by pulling stainless steel continuous hinge pin
- Doors are sealed with poured-in-place polyurethane gasket
- Collar studs for mounting optional back panels
- Removable print pocket is included
- External mounting feet are provided for mounting enclosures
- Grounding provisions provided

Finish

- White polyester powder inside and out over stainless
- Optional back panels are white polyester powder over phosphatized surfaces
- Optional "G" panels have a conductive finish (See page I4)

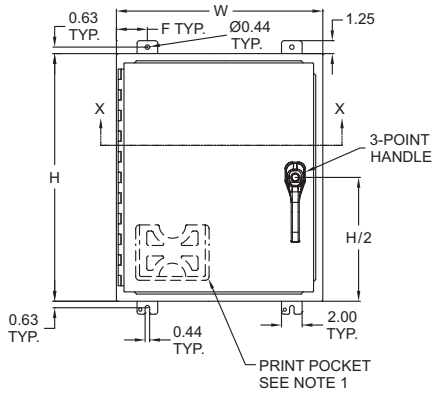
Accessories

- Back panels (reference tables)
- See pages I4

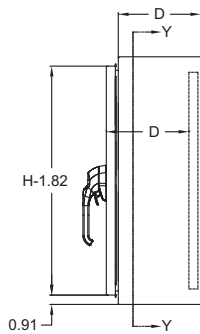
SSN4-3PTW SERIES WHITE SINGLE DOOR N4X ENCLOSURES

CATALOG NUMBER	ENCLOSURE SIZE H X W X D	BACK PANEL CATALOG NUMBER*			BACK PANEL SIZE A X B	STIFFENER	
		WHITE	304 SS	"G"		DOOR	BODY
SSN42424083PTW	24.00x24.00x 8.00 (610x610x203)	NP2424	NP2424SS	NP2424G	21.00x21.00 (533x533)	No	No
SSN42424123PTW	24.00x24.00x12.00 (610x610x305)	NP2424	NP2424SS	NP2424G	21.00x21.00 (533x533)	No	No
SSN43024083PTW	30.00x24.00x 8.00 (762x610x203)	NP3024	NP3024SS	NP3024G	27.00x21.00 (686x533)	No	No
SSN43630123PTW	36.00x30.00x12.00 (914x762x305)	NP3630	NP3630SS	NP3630G	33.00x27.00 (838x686)	No	Yes
SSN43636123PTW	36.00x36.00x12.00 (914x914x305)	NP3636	NP3636SS	NP3636G	33.00x33.00 (838x838)	Yes	Yes
SSN44236123PTW	42.00x36.00x12.00 (1067x914x305)	NP4236	NP4236SS	NP4236G	33.00x33.00 (838x838)	Yes	Yes
SSN44836123PTW	48.00x36.00x12.00 (1219x914x305)	NP4836	NP4836SS	NP4836G	39.00x33.00 (991x838)	Yes	Yes
SSN44836163PTW	48.00x36.00x16.00 (1219x914x406)	NP4836	NP4836SS	NP4836G	39.00x33.00 (991x838)	Yes	Yes
SSN46036123PTW	60.00x36.00x12.00 (1524x914x305)	NP6036	NP6036SS	NP6036G	57.00x33.00 (1448x838)	Yes	Yes

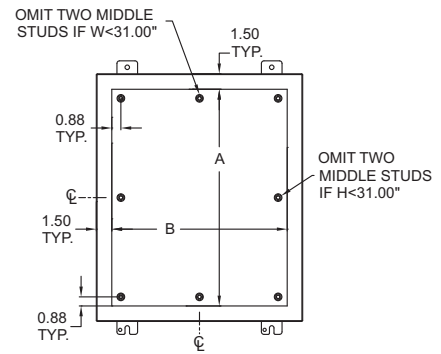
*Back panels must be ordered separately.



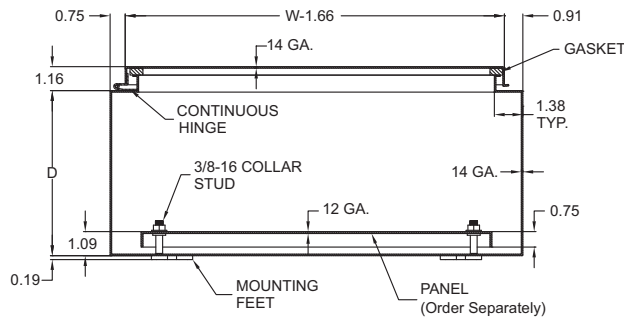
FRONT VIEW



SIDE VIEW



SECTION Y-Y



SECTION X-X

Notes:

1. Large Print Pocket (8 X 10) is furnished if H=20.00" or more and W=20.00" or more. Otherwise, small (6 X 6) print pocket is provided.
2. Panels are made from 12 Ga. steel.
3. Panels have flanges along all sides when either dimension exceeds 17.00".
4. F = 3.00" when W is 16.00" or greater and 1-1/4" when W is 12.00" or less.

SSN4D SERIES ENCLOSURES NEMA 4X TWO DOOR FLOOR-MOUNT



SSN4D624812

Industry Standards

UL 508, Types 4, 4X & 12

CSA Certified, Type 4 & 12

NEMA/EEMAC Types 4, 4X & 12



UL File E64791



CSA File LL66078

FEATURES-SPECIFICATIONS

Applications

This two door enclosure provides industry leading protection for systems incorporating large components or complex mounting configurations in highly corrosive environments. It is typically used in the following areas: food processing plants, pharmaceutical manufacturing facilities, petrochemical plants, pulp and paper processing, and waste water treatment facilities.

Construction

- Bodies and doors fabricated from 12 gauge 304 stainless steel
- Continuously welded seams ground smooth, less knockouts or holes
- X-type body stiffeners are added for extra strength

- Rolled lip around three sides of door and along top of enclosures opening excludes liquids and contaminants from entering
- Quick and easy to operate stainless steel door clamps around three sides of doors are provided
- Heavy gauge stainless steel continuous hinges are provided
- Doors are removable by pulling stainless steel continuous hinge pin
- Hasp and staple are provided for padlocking
- Print pocket is provided
- Standard 12" high floor kits are welded to bottom of enclosure
- Heavy duty removable lifting eyes
- Collar studs for mounting optional panels

- Easily removable center post permits easy panel installations
- Doors are sealed with poured in place polyurethane gasket
- Grounding provisions provided

Finish

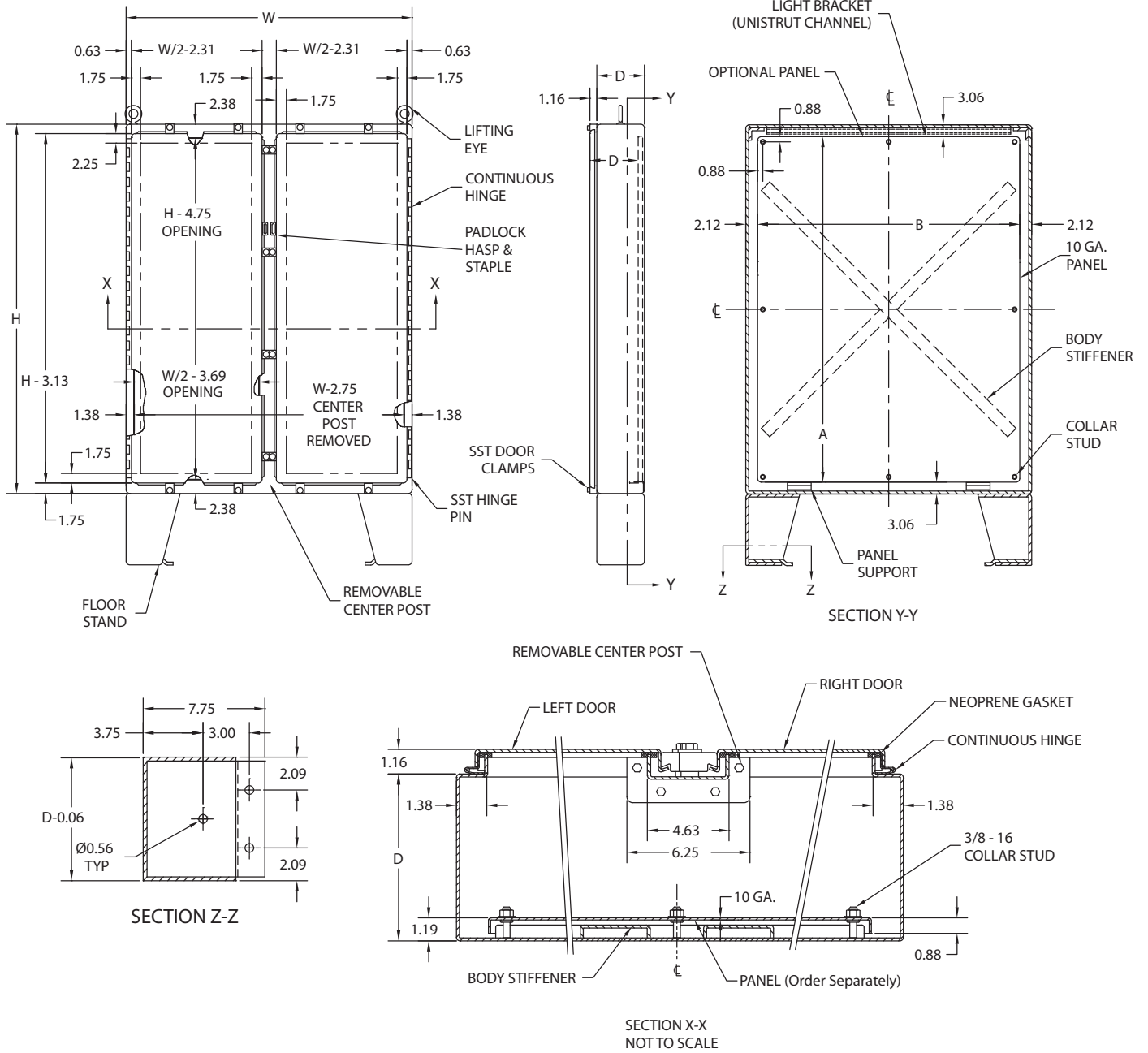
- Enclosures have a smooth grained finish on all exterior surfaces
- Optional back panels are white polyester powder (See page I7)
- Optional "G" panels have a conductive finish (See page I7)

Accessories

- Back panels (reference tables)
- See pages J1-J22

SSN4D SERIES TWO DOOR STAINLESS ENCLOSURES					
CATALOG NUMBER	BODY/DOOR STEEL GAUGE	ENCLOSURE SIZE H X W X D	BACK PANEL CATALOG NUMBER*		BACK PANEL SIZE A X B
			WHITE	"G"	
SSN4D624812	12/12	62.12x48.12x12.12 (1578x1222x308)	NPDD6048	NPDD6048G	56.00x44.00 (1422x1118)
SSN4D626012	12/12	62.12x60.12x12.12 (1578x1527x308)	NPDD6060	NPDD6060G	56.00x56.00 (1422x1422)
SSN4D746012	12/12	74.12x60.12x12.12 (1883x1527x308)	NPDD7260	NPDD7260G	68.00x56.00 (1727x1422)
SSN4D747212	12/12	74.12x72.12x12.12 (1883x1832x308)	NPDD7272	NPDD7272G	68.00x68.00 (1727x1727)
SSN4D747224	12/12	74.12x72.12x24.12 (1883x1832x613)	NPDD7272	NPDD7272G	68.00x68.00 (1727x1727)

*Back panels must be ordered separately.




Industry Standards

UL 508, Types 3, 4, 4X & 12
CSA Certified, Type 3, 4 & 12
NEMA/EEMAC Types 3, 4, 4X & 12

 UL File E64791

 CSA File LL66078

FEATURES-SPECIFICATIONS
Applications

Designed to house electrical and electronic controls, terminals, and instruments in areas that are regularly hosed down or are otherwise very wet. Also suitable for outdoor applications.

Construction

- Bodies and doors fabricated from 12 gauge 304 and 316L stainless steel
- Continuously welded seams ground smooth, less knockouts or holes
- "Uni-strut" mounting channels are welded horizontally to interior body sides, top, bottom and center
- **Optional** swing, half, full and rack panels can be mounted anywhere along "uni-strut" channel

- Rolled lip around three sides of door and along top of enclosures opening excludes liquids and contaminants from entering
- Quick and easy to operate stainless steel door clamps around three sides of doors
- Heavy gauge continuous hinge with stainless steel hinge pin
- Doors are removable by pulling stainless steel continuous hinge pin
- Hasp and staple are provided for padlocking
- Print pocket is provided
- Heavy duty removable lifting eyes

- Doors are sealed with poured in place polyurethane gasket
- Grounding provisions provided

Finish

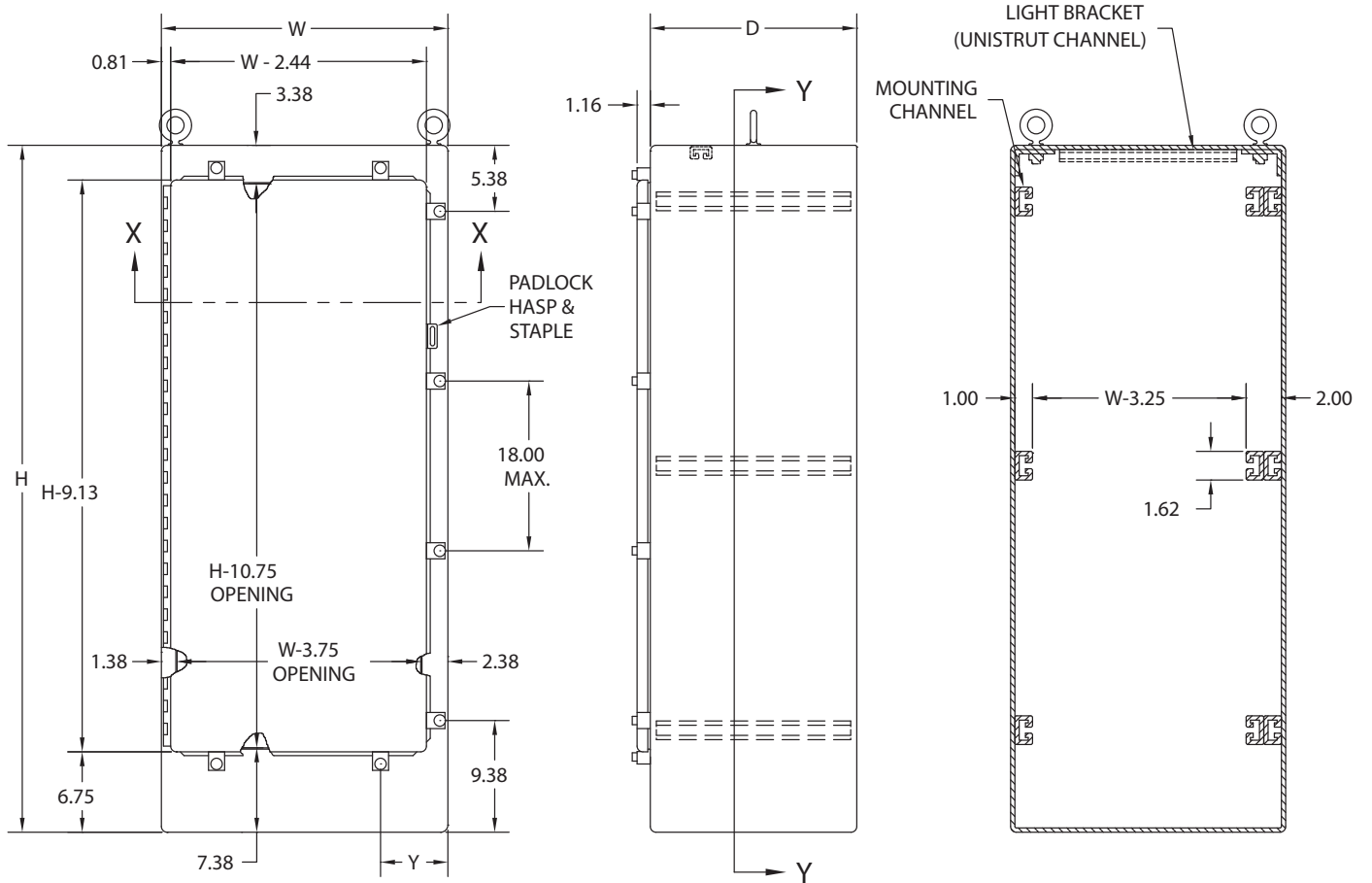
- Standard grain finish
- **Optional** back panels are white polyester powder (See page I8)

Accessories

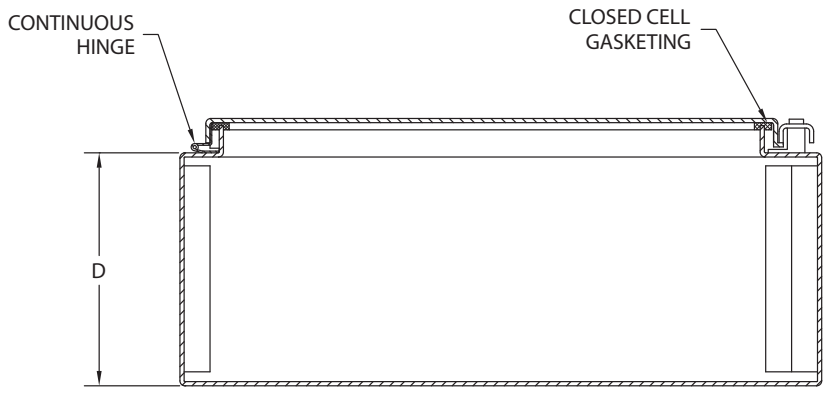
- Back panels (reference tables)
- See pages J1-J22

N4S-FSSS SERIES SINGLE DOOR ENCLOSURES					
CATALOG NUMBER		BODY/DOOR STEEL GAUGE	ENCLOSURE SIZE H X W X D	Y	BACK PANELS*
304 SS	316L SS				
N4S722518FSSS	N4S722518FSSSA	12/12	72.12x25.12x18.12 (1832x638x460)	6.38 (162)	See page I9
N4S723124FSSS	N4S723124FSSSA	12/12	72.12x31.12x24.12 (1832x790x613)	8.38 (213)	
N4S723724FSSS	N4S723724FSSSA	12/12	72.12x37.12x24.12 (1832x943x613)	10.38 (264)	

*Back panels must be ordered separately.



SECTION Y-Y



**SECTION X-X
NOT TO SCALE**

**SSN4D - 3PT SERIES ENCLOSURES
NEMA 4X 304/316L STAINLESS TWO DOOR FLOOR MOUNT**



SSN4D6248123PTA

Industry Standards

UL 508, Types 3, 4, 4X, 12 & 13
CSA Certified, Types 4, 4X & 12
NEMA/EEMAC Types 3, 4, 4X, 12 & 13

UL Files E64791

CSA File LL66078

FEATURES-SPECIFICATIONS

Applications

Designed to house electrical and electronic controls, components and instruments in wet corrosive environments. Typical applications for these enclosures include dairies, breweries, waste water, coastal, food processing and /or activities that may require hose down. Enclosures are designed for outdoor applications.

Construction

- Bodies, doors and floor stand feet are fabricated from 12/10 gauge 304 or 316L SS
- Continuously welded seams ground smooth, less knockouts or holes
- Body stiffeners added for extra strength
- Rolled lip around three sides of door and along top of enclosures opening excludes liquids and contaminants from entering

- 3PT 316L SS Padlocking Handles
- Heavy gauge continuous hinges are orivuded ti secyre doors
- Doors are removable by pulling stainless steel continuous hinge pin
- Removable print pocket is provided
- Standard 12" high floor kits are welded to bottom of enclosure
- Heavy duty removable lifting eyes
- Collar studs for mounting optional panels
- Easily removable center post permits easy panel installations
- Doors are sealed with poured in place gasket
- Grounding provisions provided

Finish

- Interior: commercial finish, Exterior: standard Wiegmann grained finish
- **Optional** back panels are white polyester powder
- **Optional** "G" panels have a conductive finish (See page 17)

Accessories

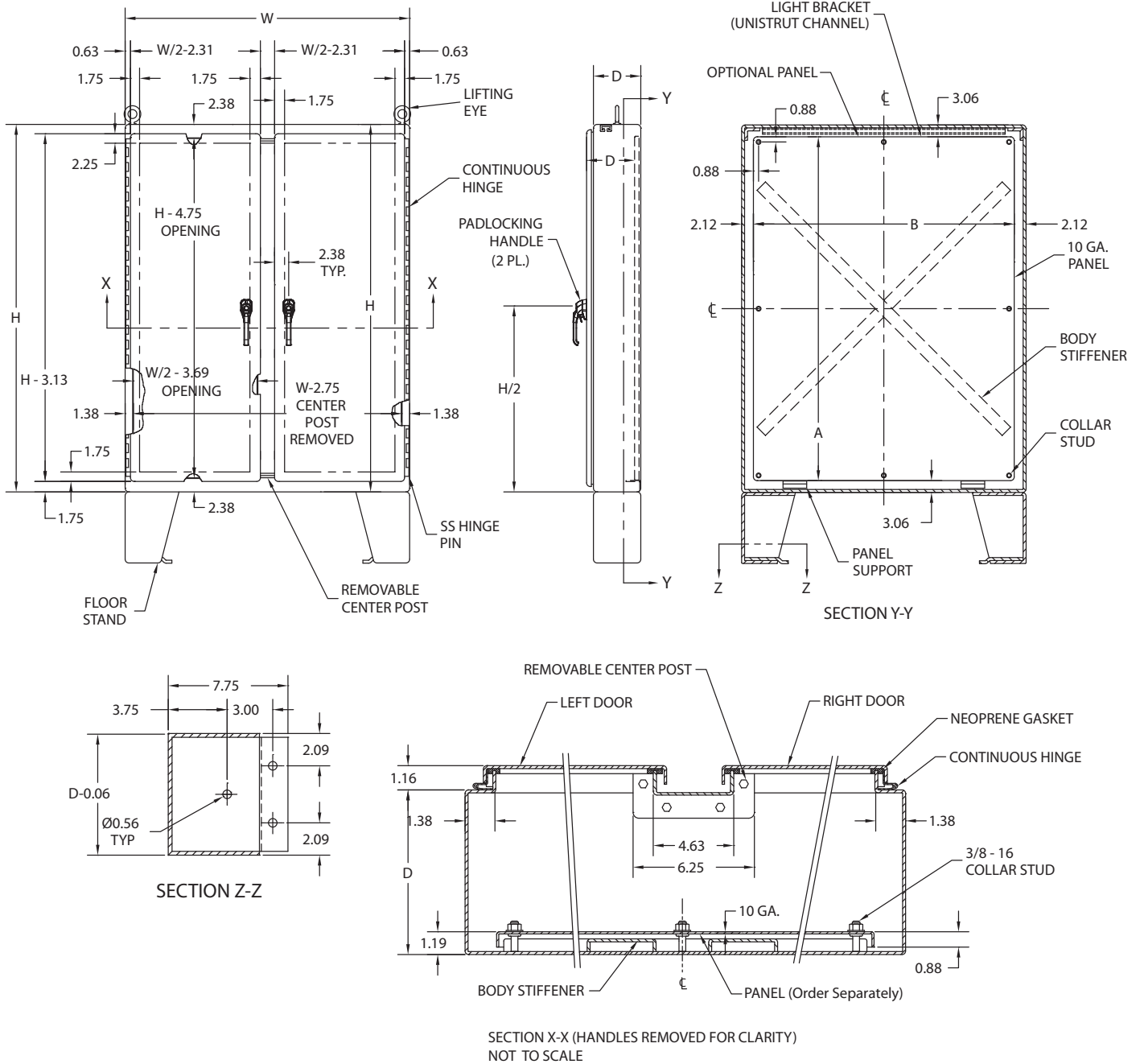
- Back panels (reference tables)
- See pages J1-J22

SSN4D 3PT SERIES TWO DOOR 3PT HANDLE STAINLESS ENCLOSURES					
CATALOG NUMBER		ENCLOSURE SIZE H X W X D	BACK PANEL CATALOG NUMBER*		BACK PANEL SIZE A X B
304 SS	316L SS		WHITE	"G"	
SSN4D6248123PT	SSN4D6248123PTA	62.06x48.06x12.06 (1576x1221x306)	NPDD6048	NPDD6048G	56.00x44.00 (1422x1118)
SSN4D6248183PT	SSN4D6248183PTA	62.06x48.06x18.06 (1576x1221x459)	NPDD6048	NPDD6048G	56.00x44.00 (1422x1118)
SSN4D6260123PT	SSN4D6260123PTA	62.06x60.06x12.06 (1576x1526x306)	NPDD6060	NPDD6060G	56.00x56.00 (1422x1422)
SSN4D7460123PT	SSN4D7460123PTA	74.06x60.06x12.06 (1881x1526x306)	NPDD7260	NPDD7260G	68.00x56.00 (1422x1422)
SSN4D7472123PT	SSN4D7472123PTA	74.06x72.06x12.06 (1881x1830x306)	NPDD7272	NPDD7272G	68.00x68.00 (1727x1727)
SSN4D7472243PT	SSN4D7472243PTA	74.06x72.06x24.06 (1881x1830x611)	NPDD7272	NPDD7272G	68.00x68.00 (1727x1727)

*Back panels must be ordered separately.

SSN4D - 3PT SERIES ENCLOSURES
NEMA 4X 304/316L STAINLESS TWO DOOR FLOOR MOUNT

E41



WA - SSFSN43PT SERIES ENCLOSURES NEMA 4X 304 STAINLESS FREESTANDING SINGLE DOOR



Industry Standards

UL 508, Types 3, 4, 4X & 12
CSA Certified, Type 4, 4X & 12
NEMA/EEMAC Types 3, 4, 4X & 12

 UL File E64791

 CSA File LL66078

FEATURES-SPECIFICATIONS

Applications

Designed to house electrical and electronic controls, terminals, and instruments in areas that are regularly hosed down or are otherwise very wet. Enclosures are also suitable for outdoor applications.

Construction

- Bodies and doors fabricated from 12 gauge 304 stainless steel
- Continuously welded seams ground smooth, less knockouts or holes
- "Uni-strut" mounting channels are welded horizontally to interior body sides, top, bottom and center
- Optional swing, half, full and rack

panels can be mounted anywhere along "uni-strut" channel

- Rolled lip around three sides of door and along top of enclosures opening excludes liquids and contaminants from entering
- 3 PT 316L SS Padlocking Vault Handle
- Heavy gauge continuous hinge
- Doors are removable by pulling stainless steel continuous hinge pin
- Removable print pocket is provided
- Heavy duty removable lifting eyes
- Doors are sealed with poured in place polyurethane gasket
- Grounding provisions provided

Finish

- Top, sides and door have a smooth grained finish, interior has a standard commercial finish
- Optional back panels are white polyester powder (See pages I8-I13)
- Optional "G" panels have a conductive finish (See pages I8-I13)

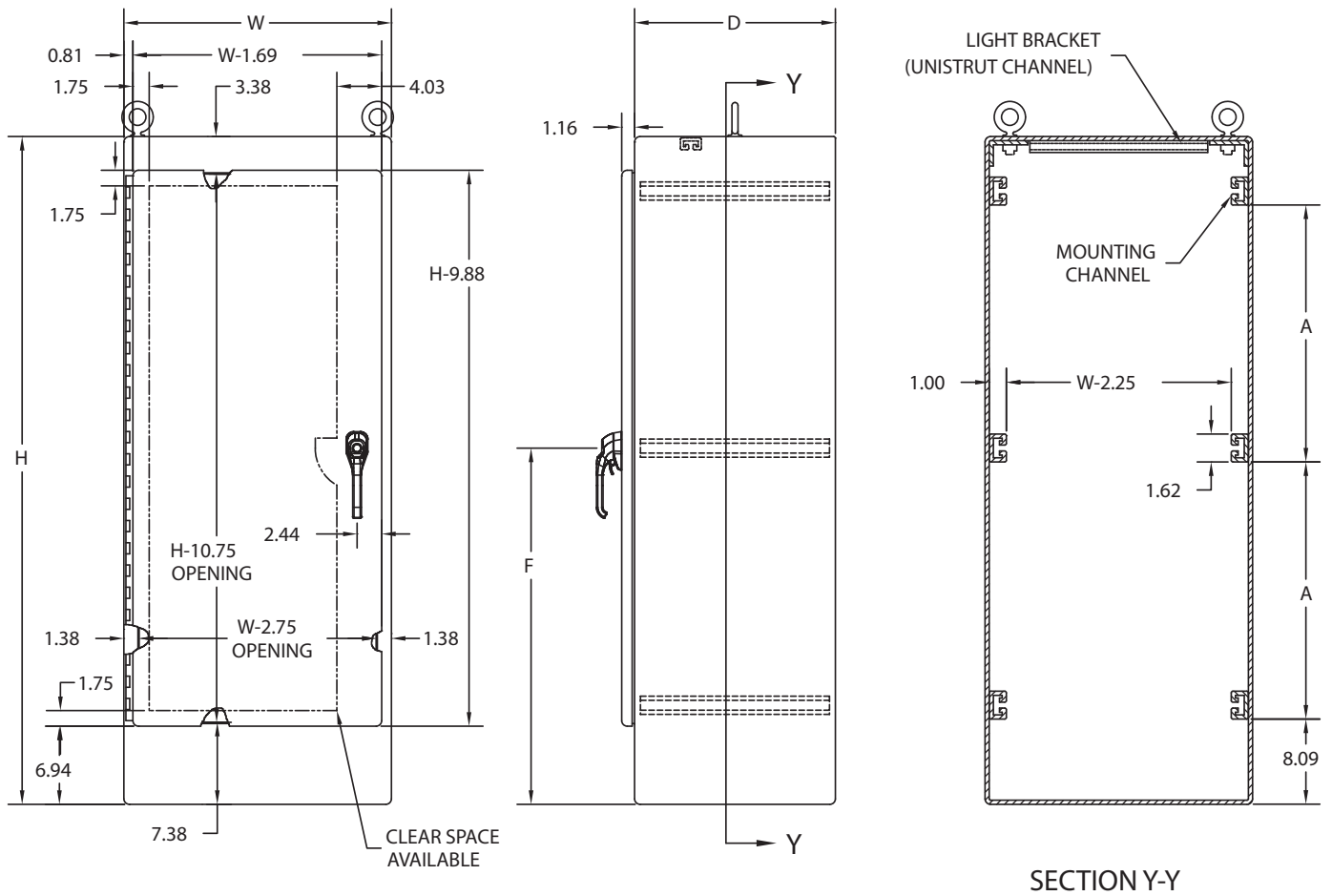
Accessories

- Back panels (reference tables)
- See pages J1-J22

WA-SSFSN43PT SERIES SINGLE DOOR 3PT HANDLE STAINLESS ENCLOSURES								
CATALOG NUMBER	ENCLOSURE SIZE H X W X D	BACK PANEL CATALOG NUMBER*		BACK PANEL SIZE A X B	STIFFENER		A	F
		WHITE	"G"		DOOR	BODY		
WA602418SSFSN43PT	60.06x24.06x18.06 (1526x611x459)	WA60P24F1	WA60P24F1G	48.00X20.00 (1219x508)	No	No	23.13 (588)	32.06 (814)
WA603624SSFSN43PT	60.06x36.06x24.06 (1526x916x611)	WA60P36F1	WA60P36F1G	48.00X32.00 (1219x813)	No	No	23.13 (588)	32.06 (814)
WA722418SSFSN43PT	72.06x24.06x18.06 (1830x611x459)	WA72P24F1	WA72P24F1G	60.00X20.00 (1524x508)	No	No	29.13 (740)	38.06 (967)
WA722424SSFSN43PT	72.06x24.06x24.06 (1830x611x611)	WA72P24F1	WA72P24F1G	60.00X20.00 (1524x508)	No	No	29.13 (740)	38.06 (967)
WA723018SSFSN43PT	72.06x30.06x18.06 (1830x764x459)	WA72P30F1	WA72P30F1G	60.00X26.00 (1524x660)	No	No	29.13 (740)	38.06 (967)
WA723024SSFSN43PT	72.06x30.06x24.06 (1830x764x611)	WA72P30F1	WA72P30F1G	60.00X26.00 (1524x660)	No	No	29.13 (740)	38.06 (967)
WA723618SSFSN43PT	72.06x36.06x18.06 (1830x916x459)	WA72P36F1	WA72P36F1G	60.00X32.00 (1524x813)	No	No	29.13 (740)	38.06 (967)
WA723624SSFSN43PT	72.06x36.06x24.06 (1830x916x611)	WA72P36F1	WA72P36F1G	60.00X32.00 (1524x813)	No	No	29.13 (740)	38.06 (967)
WA723630SSFSN43PT	72.06x36.06x30.06 (1830x916x764)	WA72P36F1	WA72P36F1G	60.00X32.00 (1524x813)	No	No	29.13 (740)	38.06 (967)
WA723636SSFSN43PT	72.06x36.06x36.06 (1830x916x916)	WA72P36F1	WA72P36F1G	60.00X32.00 (1524x813)	No	No	29.13 (740)	38.06 (967)
WA902420SSFSN43PT**	90.06x24.06x20.06 (2288x611x510)	WA90P24F1	WA90P24F1G	78.00x20.00 (1981x508)	No	No	38.13 (969)	47.06 (1195)
WA903620SSFSN43PT**	90.06x36.06x20.06 (2288x916x510)	WA90P36F1	WA90P36F1G	78.00x32.00 (1981x813)	No	No	38.13 (969)	47.06 (1195)
WA903624SSFSN43PT**	90.06x36.06x24.06 (2288x916x611)	WA90P36F1	WA90P36F1G	78.00x32.00 (1981x813)	No	No	38.13 (969)	47.06 (1195)
WA903636SSFSN43PT**	90.06x36.06x36.06 (2288x916x916)	WA90P36F1	WA90P36F1G	78.00x32.00 (1981x813)	No	No	38.13 (969)	47.06 (1195)

*Back panels must be ordered separately.

**UL pending on 90" tall cabinet.



**WA - SSFSDN43PT SERIES ENCLOSURES
NEMA 4X 304 STAINLESS FREESTANDING TWO DOOR**

Industry Standards

UL 508, Type 12
CSA Certified, Type 12
NEMA/EEMAC Type 12
(Types 4 & 4X pending)

 UL File E64791

 CSA File LL66078

FEATURES-SPECIFICATIONS
Applications

Designed to house electrical and electronic controls, terminals, and instruments in areas that are regularly hosed down or are otherwise very wet. Enclosures are also suitable for outdoor applications.

Construction

- Body and doors fabricated from 12 gauge 304 stainless steel
- Continuously welded seams ground smooth, less knockouts or holes
- “Uni-strut” mounting channels are welded horizontally to interior body sides, top, bottom and center
- Optional swing, half, full and rack panels can be mounted anywhere along “uni-strut” channel

- Rolled lip around three sides of door and along top of enclosures opening excludes liquids and contaminants from entering
- 3 PT 316L SS Padlocking Vault Handles
- Heavy gauge continuous hinge
- Doors are removable by pulling stainless steel continuous hinge pin
- Removable print pocket is provided
- Heavy duty removable lifting eyes
- Doors are sealed with poured in place polyurethane gasket
- Grounding provisions provided

Finish

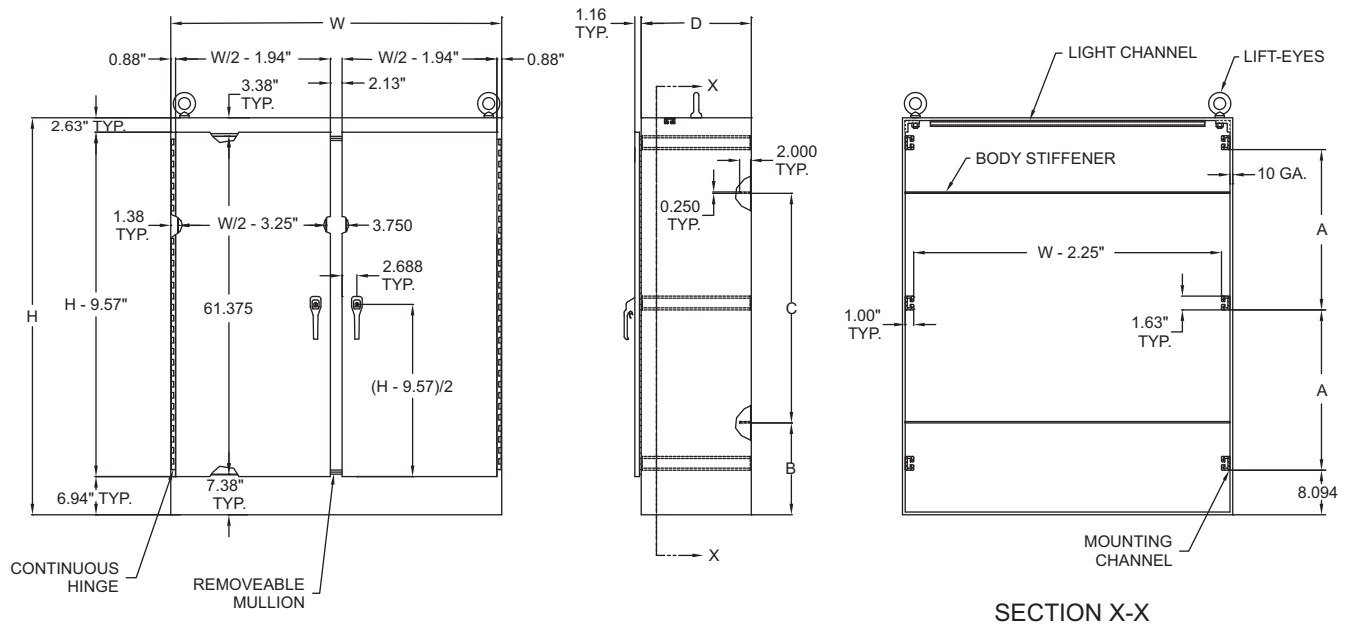
- Top, sides and doors have a smooth grained finish, interior has a standard commercial finish
- Optional back panels are white polyester powder (See pages I8-I13)
- Optional “G” panels have a conductive finish (See pages I8-I13)

Accessories

- Back panels (reference tables)
- See pages J1-J22

WA-SSFSDN43PT SERIES TWO DOOR 3PT HANDLE STAINLESS ENCLOSURES						
CATALOG NUMBER	ENCLOSURE SIZE H X W X D	BACK PANEL CATALOG NUMBER*		BACK PANEL SIZE A X B	A	F
		WHITE	“G”			
304 SS						
WA604818SSFSDN43PT	60.06x48.06x18.06 (1526x1221x459)	WA60P48F1	WA60P48F1G	56.00x44.00 (1422x1118)	23.13 (588)	32.06 (814)
WA724818SSFSDN43PT	72.06x48.06x18.06 (1830x1221x459)	WA72P48F1	WA72P48F1G	68.00x44.00 (1727x1118)	23.13 (588)	32.06 (814)
WA724824SSFSDN43PT	72.06x48.06x24.06 (1830x1221x611)	WA72P48F1	WA72P48F1G	68.00x44.00 (1727x1118)	29.13 (740)	38.06 (967)
WA726018SSFSDN43PT	72.06x60.06x18.06 (1830x1526x459)	WA72P60F1	WA72P60F1G	68.00x56.00 (1727x1422)	29.13 (740)	38.06 (967)
WA726024SSFSDN43PT	72.06x60.06x24.06 (1830x1526x611)	WA72P60F1	WA72P60F1G	68.00x56.00 (1727x1422)	29.13 (740)	38.06 (967)
WA726036SSFSDN43PT	72.06x60.06x36.06 (1830x1526x916)	WA72P60F1	WA72P60F1G	68.00x56.00 (1727x1422)	29.13 (740)	38.06 (967)
WA727218SSFSDN43PT	72.06x72.06x18.06 (1830x1830x459)	WA72P72F1	WA72P72F1G	68.00x68.00 (1727x1727)	29.13 (740)	38.06 (967)
WA727224SSFSDN43PT	72.06x72.06x24.06 (1830x1830x611)	WA72P72F1	WA72P72F1G	68.00x68.00 (1727x1727)	29.13 (740)	38.06 (967)
WA904820SSFSDN43PT	90.06x48.06x20.06 (2288x1221x510)	WA90P48F1	WA90P48F1G	86.00x44.00 (2184x1118)	38.13 (969)	47.06 (1195)
WA907220SSFSDN43PT	90.06x72.06x20.06 (2288x1830x510)	WA90P72F1	WA90P72F1G	86.00x68.00 (2184x1727)	38.13 (969)	47.06 (1195)
WA907224SSFSDN43PT	90.06x72.06x24.06 (2288x1830x611)	WA90P72F1	WA90P72F1G	86.00x68.00 (2184x1727)	38.13 (969)	47.06 (1195)
WA907236SSFSDN43PT	90.06x72.06x36.06 (2288x1830x916)	WA90P72F1	WA90P72F1G	86.00x68.00 (2184x1727)	38.13 (969)	47.06 (1195)

*Back panels must be ordered separately.




WA604818FSDSS
Industry Standards

UL 508, Type 12

CSA Certified, Type 12

NEMA/EEMAC Type 12



UL Files E64791



CSA File LL66078

FEATURES-SPECIFICATIONS
Applications

Designed to protect electrical and electronic controls, components, and instruments in typical industrial environments. Enclosures protect enclosure equipment from dust, dirt, oil, and dripping water. These enclosures are used in machine tool applications for housing motor starters, drives, contactors, PLC's, as well as a wide variety of other electrical and electronic equipment. The addition of 19-inch rack mounting accessories make these enclosures ideal for providing rugged protection for sensitive rack mounted components in harsh industrial environments. The enclosures are found extensively in automotive, pulp and paper, wood products, textile, and similar industries.

Two styles are available to provide maximum flexibility:

- a) Single Door Single Access
(single door on front)
- b) Two Door Single Access
(two door on front)

Construction

- Fabricated from 12 or 10 gauge steel 304 stainless steel
- Continuously welded seams ground smooth, less holes or knockouts
- Body stiffeners for added rigidity
- Heavy duty lifting eyes for easy handling
- Heavy gauge continuous hinges support each door
- 3 point latching mechanism with an oil-tight key locking handle is provided
- Print pocket is provided
- "Uni-strut" mounting channels are welded horizontally to interior body sides and top, bottom and center to allow optional back panels to be positioned in enclosure. Optional swing, half, full and rack panels can be mounted anywhere along unistrut channel
- Doors are sealed with poured in place polyurethane gasket

- Stiffeners are welded to back of two door enclosures to maintain flatness and increase rigidity
- Grounding provisions provided

Finish

- All external surfaces have a smooth brushed finish, interior has a standard commercial finish
- **Optional** back panels are white polyester powder (See pages I8-I13)
- **Optional** "G" panels have a conductive finish (See pages I8-I13)

Accessories

- Sub panels (see pages I8-I13)
- Accessories (see pages J1-J22)

WA-FSSS SERIES SINGLE DOOR FREESTANDING ENCLOSURES

CATALOG NUMBER	BODY/DOOR STEEL GAUGE	ENCLOSURE SIZE H X W X D	BACK PANEL CATALOG NUMBER*		A	F
			WHITE	"G"		
WA602418FSSS	12/12	60.12x24.12x18.12 (1527x613x460)	WA60P24F1	WA60P24F1G	23.13 (587)	32.06 (814)
WA722418FSSS	12/12	72.12x24.12x18.12 (1832x613x460)	WA72P24F1	WA72P24F1G	29.13 (740)	38.06 (967)
WA723018FSSS	12/12	72.12x30.12x18.12 (1832x765x460)	WA72P30F1	WA72P30F1G	29.13 (740)	38.06 (967)
WA723618FSSS	12/12	72.12x36.12x18.12 (1832x917x460)	WA72P36F1	WA72P36F1G	29.13 (740)	38.06 (967)
WA902420FSSS	12/12	90.12x24.12x20.12 (2289x613x511)	WA90P24F1	WA90P24F1G	38.13 (968)	47.06 (1195)
WA903620FSSS	12/12	90.12x36.12x20.12 (2289x917x511)	WA90P36F1	WA90P36F1G	38.13 (968)	47.06 (1195)
WA603624FSSS	12/12	60.12x36.12x24.12 (1527x917x613)	WA60P36F1	WA60P36F1G	23.13 (587)	32.06 (814)
WA722424FSSS	12/12	72.12x24.12x24.12 (1832x613x613)	WA72P24F1	WA72P24F1G	29.13 (740)	38.06 (967)
WA723024FSSS	12/12	72.12x30.12x24.12 (1832x765x613)	WA72P30F1	WA72P30F1G	29.13 (740)	38.06 (967)
WA723624FSSS	12/12	72.12x36.12x24.12 (1832x917x613)	WA72P36F1	WA72P36F1G	29.13 (740)	38.06 (967)
WA903624FSSS	12/12	90.12x36.12x24.12 (2289x917x613)	WA90P36F1	WA90P36F1G	38.13 (968)	47.06 (1195)
WA723630FSSS	12/12	72.12x36.12x30.12 (1832x917x765)	WA72P36F1	WA72P36F1G	29.13 (740)	38.06 (967)
WA723636FSSS	12/12	72.12x36.12x36.12 (1832x917x917)	WA72P36F1	WA72P36F1G	29.13 (740)	38.06 (967)
WA903636FSSS	12/12	90.12x36.12x36.12 (2289x917x917)	WA90P36F1	WA90P36F1G	38.13 (968)	47.06 (1195)

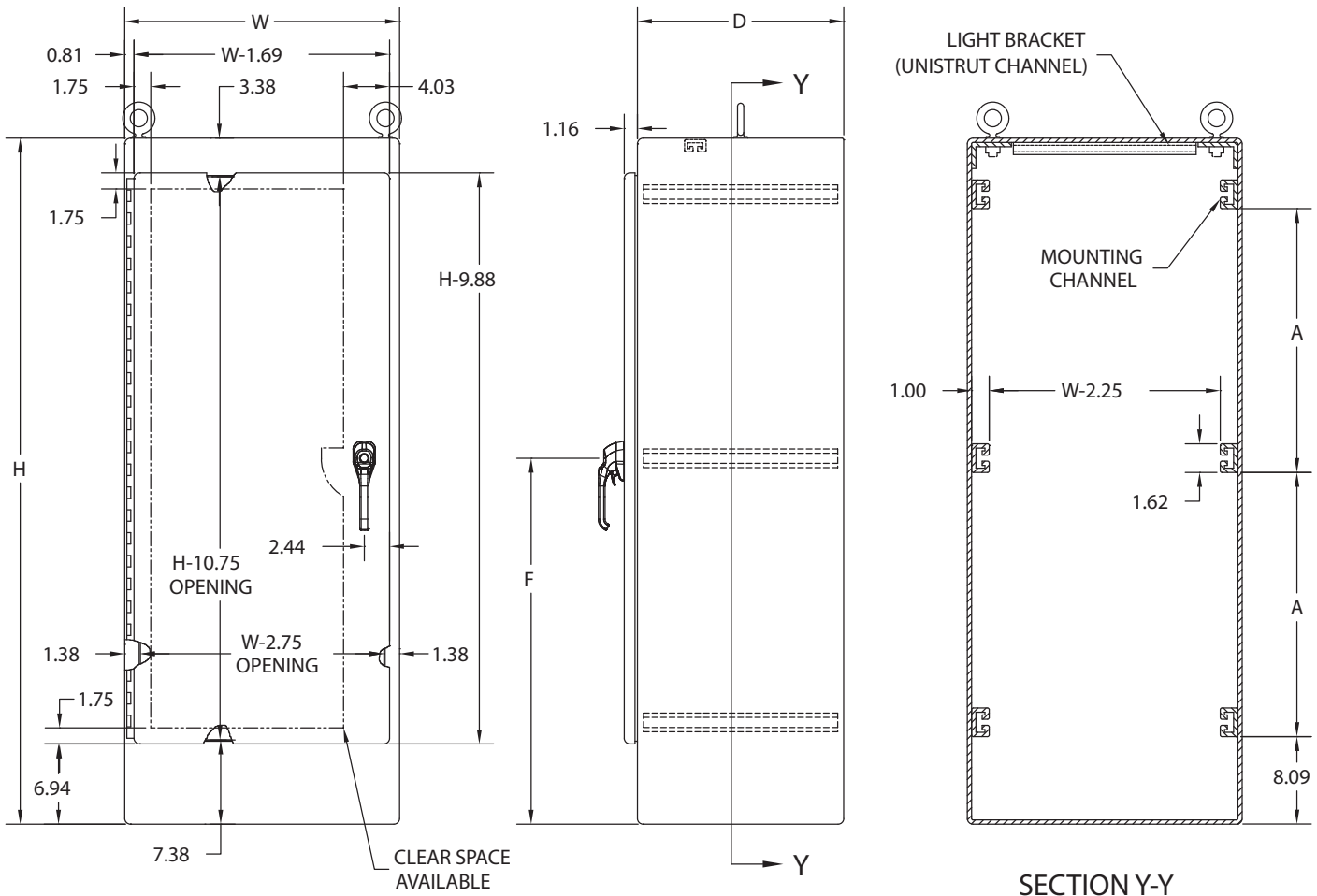
*Back panels must be ordered separately.

WA-FSDSS SERIES TWO DOOR FREESTANDING ENCLOSURES

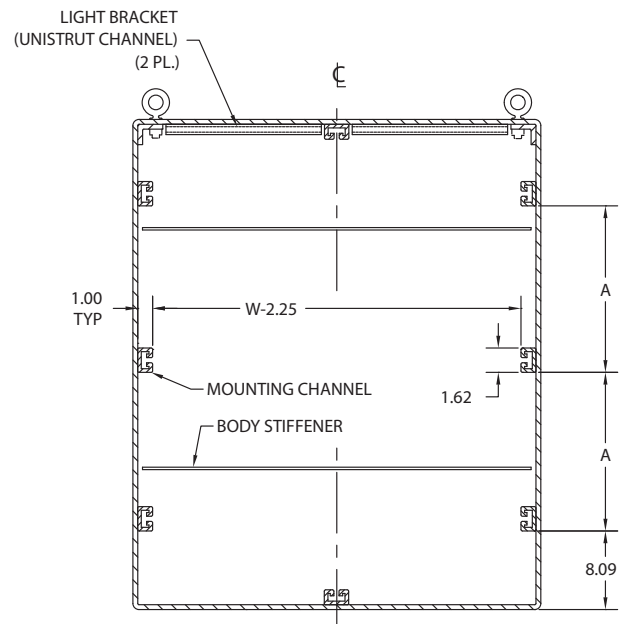
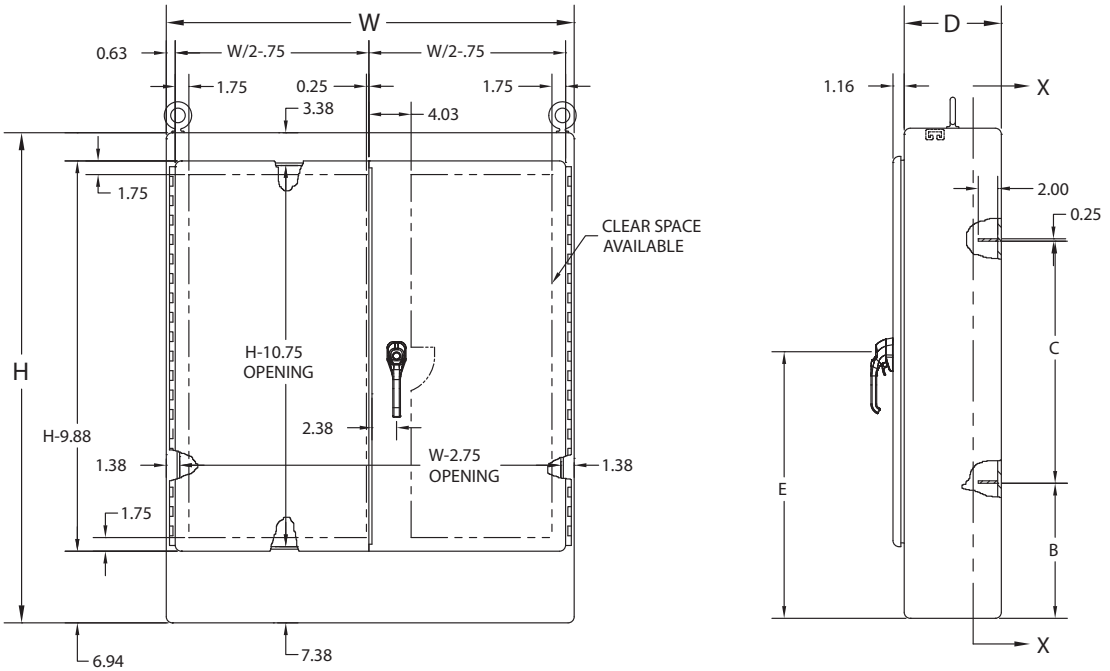
CATALOG NUMBER	BODY/DOOR STEEL GAUGE	ENCLOSURE SIZE H X W X D	BACK PANEL CATALOG NUMBER*		A	B	C	E
			WHITE	"G"				
WA604818FSDSS	10/10	60.12x48.12x18.12 (1527x1222x460)	WA60P48F1	WA60P48F1G	23.13 (587)	19.88 (505)	20.03 (509)	32.06 (814)
WA724818FSDSS	10/10	72.12x48.12x18.12 (1832x1222x460)	WA72P48F1	WA72P48F1G	29.13 (740)	23.88 (607)	24.03 (610)	38.06 (967)
WA726018FSDSS	10/10	72.12x60.12x18.12 (1832x1527x460)	WA72P60F1	WA72P60F1G	29.13 (740)	23.88 (607)	24.03 (610)	38.06 (967)
WA727218FSDSS	10/10	72.12x72.12x18.12 (1832x1832x460)	WA72P72F1	WA72P72F1G	29.13 (740)	23.88 (607)	24.03 (610)	38.06 (967)
WA904820FSDSS	10/10	90.12x48.12x20.12 (2289x1222x511)	WA90P48F1	WA90P48F1G	38.13 (968)	29.88 (759)	30.03 (763)	47.06 (1195)
WA907220FSDSS	10/10	90.12x72.12x20.12 (2289x1832x511)	WA90P72F1	WA90P72F1G	38.13 (968)	29.88 (759)	30.03 (763)	47.06 (1195)
WA724824FSDSS	10/10	72.12x48.12x24.12 (1832x1222x613)	WA72P48F1	WA72P48F1G	29.13 (740)	23.88 (607)	24.03 (610)	38.06 (967)
WA726024FSDSS	10/10	72.12x60.12x24.12 (1832x1527x613)	WA72P60F1	WA72P60F1G	29.13 (740)	23.88 (607)	24.03 (610)	38.06 (967)
WA727224FSDSS	10/10	72.12x72.12x24.12 (1832x1832x613)	WA72P72F1	WA72P72F1G	29.13 (740)	23.88 (607)	24.03 (610)	38.06 (967)
WA907224FSDSS	10/10	90.12x72.12x24.12 (2289x1832x613)	WA90P72F1	WA90P72F1G	38.13 (968)	29.88 (759)	30.03 (763)	47.06 (1195)
WA726036FSDSS	10/10	72.12x60.12x36.12 (1832x1527x917)	WA72P60F1	WA72P60F1G	29.13 (740)	23.88 (607)	24.03 (610)	38.06 (967)
WA907236FSDSS	10/10	90.12x72.12x36.12 (2289x1832x917)	WA90P72F1	WA90P72F1G	38.13 (968)	29.88 (759)	30.03 (763)	47.06 (1195)

*Back panels must be ordered separately.

WA-FSSS



WA-FSDSS



SECTION X-X

**PREMIUM SERIES NON-METALLIC ENCLOSURES
OPAQUE, HINGED COVER WITH TWO COVER SCREWS**



HW-141206CHSC

Industry Standards

- UL/cUL 50/508, Types 1, 3, 3S, 12, 13, 4x
- CSA Standard C22.2 Types 1, 3, 3S, 12, 13, 4x
- NEMA Standard 250 Types 1, 3, 3S, 12, 13, 4x
- IEC 60529 IP66
- UL94 V-0, 5V flammability rating
- Non-flame propagating
- Flame Spread classification per NFPA No. 101, Class A (1)
- Temperature Range: -40°F to 250°F (-40°C to 120°C)



FEATURES-SPECIFICATIONS

Construction

- Fiberglass construction
- Poured polyurethane seamless gasket provides watertight, dust-tight environmental seal
- Excellent chemical and corrosion resistance
- Rounded edges, minimal protrusions or exposed pocket area for accumulation of dust or debris
- 300 Series stainless steel used on all external hardware

- Optional mounting foot kit available
- Opaque, hinged cover with two screws.
- Raised bosses with brass inserts accepting 10-32 screws for optional panel mounting
- Impact resistance and physical strength greater than that of ABS and PVC
- Full 180° door opening
- Color: Gray

Accessories

- See pages E77-E79

OPAQUE COVER, HINGED WITH TWO COVER SCREWS PREMIER SERIES NON-METALLIC ENCLOSURES							
PART NUMBER	ENCLOSURE OVERALL SIZE HxWxD	ENCLOSURE INSIDE AxBxC	WT.	CARBON STEEL SUBPANEL*	FIBERGLASS SUBPANEL*	STAINLESS STEEL SUBPANEL*	ALUMINUM SUBPANEL*
HW-60604CHSC	7.41 x 7.79 x 4.31 (188.3 x 197.9 x 109.5)	6.77 x 6.77 x 4.06 (171.9 x 171.9 x 103.2)	2.5 lbs	HW-MP606CS	HW-MP606FG	HW-MP606SS	HW-MP606A
HW-80604CHSC	9.41 x 7.79 x 4.31 (239.1x197.9x109.5)	8.77 x 6.77 x 4.06 (222.7 x 171.9 x 103.2)	3.0 lbs	HW-MP806CS	HW-MP806FG	HW-MP806SS	HW-MP806A
HW-80804CHSC	9.39 x 9.76 x 4.31 (238.5 x 248.0 x 109.5)	8.74 x 8.74 x 4.06 (222.1 x 222.1 x 103.2)	3.5 lbs	HW-MP808CS	HW-MP808FG	HW-MP808SS	HW-MP808A
HW-100806CHSC	11.42 x 9.79 x 6.31 (290.1 x 248.6 x 160.3)	10.73 x 8.73 x 6.06 (272.5 x 221.7 x 153.9)	4.5 lbs	HW-MP1008CS	HW-MP1008FG	HW-MP1008SS	HW-MP1008A
HW-121006CHSC	13.45 x 11.83 x 6.31 (341.6 x 300.5 x 160.3)	12.69 x 10.69 x 6.06 (322.3 x 271.5 x 153.9)	6.0 lbs	HW-MP1210CS	HW-MP1210FG	HW-MP1210SS	HW-MP1210A
HW-141206CHSC	15.49 x 13.86 x 6.31 (393.4 x 352.0 x 160.3)	14.72 x 12.72 x 6.06 (373.9 x 323.1 x 153.9)	8.0 lbs	HW-MP1412CS	HW-MP1412FG	HW-MP1412SS	HW-MP1412A
HW-141208CHSC	15.49 x 13.86 x 8.34 (393.4 x 352.0 x 211.8)	14.66 x 12.66 x 8.06 (372.4 x 321.6 x 204.7)	9.5 lbs	HW-MP1412CS	HW-MP1412FG	HW-MP1412SS	HW-MP1412A
HW-161408CHSC	17.58 x 15.96 x 8.34 (446.6 x 405.4 x 211.8)	16.69 x 14.69 x 8.06 (424.0 x 373.1 x 204.7)	11.5 lbs	HW-MP1614CS	HW-MP1614FG	HW-MP1614SS	HW-MP1614A
HW-181610CHSC	19.77 x 18.15 x 10.34 (502.2 x 461.0 x 262.6)	18.63 x 16.63 x 10.06 (473.2 x 422.4 x 255.5)	16.0 lbs	HW-MP1816CS	HW-MP1816FG	HW-MP1816SS	HW-MP1816A
HW-201610CHSC	21.79 x 18.16 x 10.34 (553.5 x 461.2 x 262.6)	20.63 x 16.63 x 10.06 (524.0 x 422.4 x 255.5)	17.5 lbs	HW-MP2016CS	HW-MP2016FG	HW-MP2016SS	HW-MP2016A

Dimensions in inches (millimeters). (See dimensional drawings on page E55 of this section.)

*Note: Subpanels must be ordered separately. See pages E74-E76 for more information.

**PREMIUM SERIES NON-METALLIC ENCLOSURES
OPAQUE, HINGED COVER WITH TWO PULL LATCHES**



HW-141208CHQR

Industry Standards

- UL/cUL 50/508, Types 1, 3, 3S, 12, 13, 4x
- CSA Standard C22.2 Types 1, 3, 3S, 12, 13, 4x
- NEMA Standard 250 Types 1, 3, 3S, 12, 13, 4x
- IEC 60529 IP66
- UL94 V-0, 5V flammability rating
- Non-flame propagating
- Flame Spread classification per NFPA No. 101, Class A (1)
- Temperature Range: -40°F to 250°F (-40°C to 120°C)



FEATURES-SPECIFICATIONS

Construction

- Fiberglass construction
- Impact resistance and physical strength greater than that of ABS and PVC
- Poured polyurethane seamless gasket provides watertight, dust-tight environmental seal
- Opaque hinged cover with two pull latches
- Padlock latch for quick entry
- Integral hasp provides secure loop for padlock (padlock not included)
- Full 180° door opening
- UV resistant
- Excellent chemical and corrosion resistance
- Rounded edges, minimal protrusions or exposed pocket area for accumulation of dust or debris
- 300 Series stainless steel used on all external hardware

- Optional mounting foot kit available
- Raised bosses with brass inserts accepting 10-32 screws for optional panel mounting
- Color: Gray

Accessories

- See pages E77-E79

OPAQUE, HINGED COVER WITH TWO PULL LATCHES PREMIER SERIES NON-METALLIC ENCLOSURES							
PART NUMBER	ENCLOSURE OVERALL SIZE HxWxD	ENCLOSURE INSIDE AxBxC	WT.	CARBON STEEL SUBPANEL*	FIBERGLASS SUBPANEL*	STAINLESS STEEL SUBPANEL*	ALUMINUM SUBPANEL*
HW-60604CHQR	7.41 x 7.79 x 4.31 (188.3 x 197.9 x 109.5)	6.77 x 6.77 x 4.06 (171.9 x 171.9 x 103.2)	2.5 lbs	HW-MP606CS	HW-MP606FG	HW-MP606SS	HW-MP606A
HW-80604CHQR	9.41 x 7.79 x 4.31 (239.1x197.9x109.5)	8.77 x 6.77 x 4.06 (222.7 x 171.9 x 103.2)	3.0 lbs	HW-MP806CS	HW-MP806FG	HW-MP806SS	HW-MP806A
HW-80804CHQR	9.39 x 9.76 x 4.31 (238.5 x 248.0 x 109.5)	8.74 x 8.74 x 4.06 (222.1 x 222.1 x 103.2)	3.5 lbs	HW-MP808CS	HW-MP808FG	HW-MP808SS	HW-MP808A
HW-100806CHQR	11.42 x 9.79 x 6.31 (290.1 x 248.6 x 160.3)	10.73 x 8.73 x 6.06 (272.5 x 221.7 x 153.9)	4.5 lbs	HW-MP1008CS	HW-MP1008FG	HW-MP1008SS	HW-MP1008A
HW-121006CHQR	13.45 x 11.83 x 6.31 (341.6 x 300.5 x 160.3)	12.69 x 10.69 x 6.06 (322.3 x 271.5 x 153.9)	6.0 lbs	HW-MP1210CS	HW-MP1210FG	HW-MP1210SS	HW-MP1210A
HW-141206CHQR	15.49 x 13.86 x 6.31 (393.4 x 352.0 x 160.3)	14.72 x 12.72 x 6.06 (373.9 x 323.1 x 153.9)	8.0 lbs	HW-MP1412CS	HW-MP1412FG	HW-MP1412SS	HW-MP1412A
HW-141208CHQR	15.49 x 13.86 x 8.34 (393.4 x 352.0 x 211.8)	14.66 x 12.66 x 8.06 (372.4 x 321.6 x 204.7)	9.5 lbs	HW-MP1412CS	HW-MP1412FG	HW-MP1412SS	HW-MP1412A
HW-161408CHQR	17.58 x 15.96 x 8.34 (446.6 x 405.4 x 211.8)	16.69 x 14.69 x 8.06 (424.0 x 373.1 x 204.7)	11.5 lbs	HW-MP1614CS	HW-MP1614FG	HW-MP1614SS	HW-MP1614A
HW-181610CHQR	19.77 x 18.15 x 10.34 (502.2 x 461.0 x 262.6)	18.63 x 16.63 x 10.06 (473.2 x 422.4 x 255.5)	16.0 lbs	HW-MP1816CS	HW-MP1816FG	HW-MP1816SS	HW-MP1816A
HW-201610CHQR	21.79 x 18.16 x 10.34 (553.5 x 461.2 x 262.6)	20.63 x 16.63 x 10.06 (524.0 x 422.4 x 255.5)	17.5 lbs	HW-MP2016CS	HW-MP2016FG	HW-MP2016SS	HW-MP2016A

Dimensions in inches (millimeters). (See dimensional drawings on page E55 of this section.)

*Note: Subpanels must be ordered separately. See pages E74-E76 for more information.

PREMIUM SERIES NON-METALLIC ENCLOSURES CLEAR, HINGED COVER WITH TWO PULL LATCHES



HW-CC141206CHQR

Industry Standards

- UL/cUL 50/508, Types 1, 3, 3S, 12, 13, 4x
- CSA Standard C22.2 Types 1, 3, 3S, 12, 13, 4x
- NEMA Standard 250 Types 1, 3, 3S, 12, 13, 4x
- IEC 60529 IP66
- UL94 V-0, 5V flammability rating
- Window flammability rating: UL94V-2, HB
- Non-flame propagating
- Flame Spread classification per NFPA No. 101, Class A (1)
- Temperature Range: -40°F to 250°F (-40°C to 120°C)

 UL File E64791

 CSA File 222873

FEATURES-SPECIFICATIONS

Construction

- Fiberglass construction
- Poured polyurethane seamless gasket provides watertight, dust-tight environmental seal
- Clear hinged cover with two pull latches
- UV resistant
- Clear cover rated UL94 V-2, HB.
- Excellent chemical and corrosion resistance

- Rounded edges, minimal protrusions or exposed pocket areas for accumulation of dust or debris
- 300 Series stainless steel used on all external hardware
- **Optional** mounting foot kit available
- Raised bosses with brass inserts accepting 10-32 screws for optional panel mounting
- Impact resistance and physical strength greater than that of ABS and PVC

- Full 180° door opening
- Integral hasp provides secure loop for padlock (padlock not included)
- Color: Gray

Accessories

- See pages E77-E79

CLEAR COVER, HINGED WITH TWO PULL LATCHES PREMIER SERIES NON-METALLIC ENCLOSURES							
PART NUMBER	ENCLOSURE OVERALL SIZE HxWxD	ENCLOSURE INSIDE AxBxC	WT.	CARBON STEEL SUBPANEL*	FIBERGLASS SUBPANEL*	STAINLESS STEEL SUBPANEL*	ALUMINUM SUBPANEL*
HW-CC60604CHQR	7.41 x 7.79 x 4.31 (188.3 x 197.9 x 109.5)	6.77 x 6.77 x 4.06 (171.9 x 171.9 x 103.2)	2.5 lbs	HW-MP606CS	HW-MP606FG	HW-MP606SS	HW-MP606A
HW-CC80604CHQR	9.41 x 7.79 x 4.31 (239.1x197.9x109.5)	8.77 x 6.77 x 4.06 (222.7 x 171.9 x 103.2)	3.0 lbs	HW-MP806CS	HW-MP806FG	HW-MP806SS	HW-MP806A
HW-CC80804CHQR	9.39 x 9.76 x 4.31 (238.5 x 248.0 x 109.5)	8.74 x 8.74 x 4.06 (222.1 x 222.1 x 103.2)	3.5 lbs	HW-MP808CS	HW-MP808FG	HW-MP808SS	HW-MP808A
HW-CC100806CHQR	11.42 x 9.79 x 6.31 (290.1 x 248.6 x 160.3)	10.73 x 8.73 x 6.06 (272.5 x 221.7 x 153.9)	4.5 lbs	HW-MP1008CS	HW-MP1008FG	HW-MP1008SS	HW-MP1008A
HW-CC121006CHQR	13.45 x 11.83 x 6.31 (341.6 x 300.5 x 160.3)	12.69 x 10.69 x 6.06 (322.3 x 271.5 x 153.9)	6.0 lbs	HW-MP1210CS	HW-MP1210FG	HW-MP1210SS	HW-MP1210A
HW-CC141206CHQR	15.49 x 13.86 x 6.31 (393.4 x 352.0 x 160.3)	14.72 x 12.72 x 6.06 (373.9 x 323.1 x 153.9)	8.0 lbs	HW-MP1412CS	HW-MP1412FG	HW-MP1412SS	HW-MP1412A
HW-CC141208CHQR	15.49 x 13.86 x 8.34 (393.4 x 352.0 x 211.8)	14.66 x 12.66 x 8.06 (372.4 x 321.6 x 204.7)	9.5 lbs	HW-MP1412CS	HW-MP1412FG	HW-MP1412SS	HW-MP1412A
HW-CC161408CHQR	17.58 x 15.96 x 8.34 (446.6 x 405.4 x 211.8)	16.69 x 14.69 x 8.06 (424.0 x 373.1 x 204.7)	11.5 lbs	HW-MP1614CS	HW-MP1614FG	HW-MP1614SS	HW-MP1614A

Dimensions in inches (millimeters). (See dimensional drawings on page E55 of this section.)

*Note: Subpanels must be ordered separately. See pages E74-E76 for more information.

**PREMIUM SERIES NON-METALLIC ENCLOSURES
CLEAR, HINGED COVER WITH LINK LOCK LATCHES**



HW-CC141206CHTL

Industry Standards

- UL/cUL 50/508, Types 1, 3, 3S, 12, 13, 4x
- CSA Standard C22.2 Types 1, 3, 3S, 12, 13, 4x
- NEMA Standard 250 Types 1, 3, 3S, 12, 13, 4x
- IEC 60529 IP66
- UL94 V-0, 5V flammability rating
- Window flammability: UL94V-2, HB
- Non-flame propagating
- Flame Spread classification per NFPA No. 101, Class A (1)
- Temperature Range: -40°F to 250°F (-40°C to 120°C)



FEATURES-SPECIFICATIONS

Construction

- Fiberglass construction
- Poured polyurethane seamless gasket provides watertight, dust-tight environmental seal
- Clear hinged cover with two link-lock latches
- UV resistant
- Clear cover rated UL94 V-2, HB.
- Excellent chemical and corrosion resistance

- Rounded edges, minimal protrusions or exposed pocket areas for accumulation of dust or debris
- 300 Series stainless steel used on all external hardware
- **Optional** mounting foot kit available
- Raised bosses with brass inserts accepting 10-32 screws for optional panel mounting
- Impact resistance and physical strength greater than that of ABS and PVC

- Full 180° door opening
- Link lock latch for quick entry
- Latch lies flat on side of enclosure
- Color: Gray

Accessories

- See pages E77-E79

CLEAR, HINGED COVER WITH LINK LOCK LATCHES PREMIER SERIES NON-METALLIC ENCLOSURES							
PART NUMBER	ENCLOSURE OVERALL SIZE HxWxD	ENCLOSURE INSIDE AxBxC	WT.	CARBON STEEL SUBPANEL*	FIBERGLASS SUBPANEL*	STAINLESS STEEL SUBPANEL*	ALUMINUM SUBPANEL*
HW-CC60604CHTL	7.41 x 7.79 x 4.31 (188.3 x 197.9 x 109.5)	6.77 x 6.77 x 4.06 (171.9 x 171.9 x 103.2)	2.5 lbs	HW-MP606CS	HW-MP606FG	HW-MP606SS	HW-MP606A
HW-CC80604CHTL	9.41 x 7.79 x 4.31 (239.1 x 197.9 x 109.5)	8.77 x 6.77 x 4.06 (222.7 x 171.9 x 103.2)	3.0 lbs	HW-MP806CS	HW-MP806FG	HW-MP806SS	HW-MP806A
HW-CC80804CHTL	9.39 x 9.76 x 4.31 (238.5 x 248.0 x 109.5)	8.74 x 8.74 x 4.06 (222.1 x 222.1 x 103.2)	3.5 lbs	HW-MP808CS	HW-MP808FG	HW-MP808SS	HW-MP808A
HW-CC100806CHTL	11.42 x 9.79 x 6.31 (290.1 x 248.6 x 160.3)	10.73 x 8.73 x 6.06 (272.5 x 221.7 x 153.9)	4.5 lbs	HW-MP1008CS	HW-MP1008FG	HW-MP1008SS	HW-MP1008A
HW-CC121006CHTL	13.45 x 11.83 x 6.31 (341.6 x 300.5 x 160.3)	12.69 x 10.69 x 6.06 (322.3 x 271.5 x 153.9)	6.0 lbs	HW-MP1210CS	HW-MP1210FG	HW-MP1210SS	HW-MP1210A
HW-CC141206CHTL	15.49 x 13.86 x 6.31 (393.4 x 352.0 x 160.3)	14.72 x 12.72 x 6.06 (373.9 x 323.1 x 153.9)	8.0 lbs	HW-MP1412CS	HW-MP1412FG	HW-MP1412SS	HW-MP1412A
HW-CC141208CHTL	15.49 x 13.86 x 8.34 (393.4 x 352.0 x 211.8)	14.66 x 12.66 x 8.06 (372.4 x 321.6 x 204.7)	9.5 lbs	HW-MP1412CS	HW-MP1412FG	HW-MP1412SS	HW-MP1412A
HW-CC161408CHTL	17.58 x 15.96 x 8.34 (446.6 x 405.4 x 211.8)	16.69 x 14.69 x 8.06 (424.0 x 373.1 x 204.7)	11.5 lbs	HW-MP1614CS	HW-MP1614FG	HW-MP1614SS	HW-MP1614A

Dimensions in inches (millimeters). (See dimensional drawings on page E55 of this section.)

*Note: Subpanels must be ordered separately. See pages E74-E76 for more information.

CLEAR, HINGED COVER WITH LINK LOCK LATCHES PREMIER SERIES NON-METALLIC ENCLOSURES											
PREMIER BASE* PART NUMBER	ENCLOSURE OVERALL SIZE HxWxD	ENCLOSURE INSIDE AxBxC	MOUNTING PxR	K	L	S	T	OPTIONAL MOUNTING FEET EXF	N	J	M
HW-*60604*	7.41 x 7.79 x 4.31 (188.3 x 197.9 x 109.5)	6.77 x 6.77 x 4.06 (171.9 x 171.9 x 103.2)	5.93 x 4.00 (150.6 x 101.6)	4.25 (108)	4.25 (108)	3.60 (91.5)	.38 (9.6)	8.24 x 4.00 (209.2 x 101.6)	9.02 (229.0)	4.56 (115.8)	.25 (6.35)
HW-*80604*	9.41 x 7.79 x 4.31 (239.1 x 197.9 x 109.5)	8.77 x 6.77 x 4.06 (222.7 x 171.9 x 103.2)	7.91 x 4.00 (200.9 x 101.6)	6.25 (159)	4.25 (108)	3.60 (91.5)	.38 (9.6)	10.21 x 4.00 (259.3 x 101.6)	10.98 (279.0)	4.56 (115.8)	.25 (6.35)
HW-*80804*	9.39 x 9.76 x 4.31 (238.5 x 248.0 x 109.5)	8.74 x 8.74 x 4.06 (222.1 x 222.1 x 103.2)	7.91 x 6.00 (200.9 x 152.4)	6.25 (159)	6.25 (159)	3.60 (91.5)	.38 (9.6)	10.21 x 6.00 (259.3 x 152.4)	10.98 (279.0)	4.56 (115.8)	.25 (6.35)
HW-*100806*	11.42 x 9.79 x 6.31 (290.1 x 248.6 x 160.3)	10.73 x 8.73 x 6.06 (272.5 x 221.7 x 153.9)	9.89 x 6.00 (251.2 x 152.4)	8.25 (210)	6.25 (159)	5.60 (142.3)	.38 (9.6)	12.19 x 6.00 (309.6 x 152.4)	12.96 (329.3)	6.56 (166.6)	.25 (6.35)
HW-*121006*	13.45 x 11.83 x 6.31 (341.6 x 300.5 x 160.3)	12.69 x 10.69 x 6.06 (322.3 x 271.5 x 153.9)	11.88 x 8.00 (301.7 x 203.2)	10.25 (260)	8.25 (210)	5.60 (142.3)	.38 (9.6)	14.18 x 8.00 (360.2 x 203.2)	14.95 (379.7)	6.56 (166.6)	.25 (6.35)
HW-*141206*	15.49 x 13.86 x 6.31 (393.4 x 352.0 x 160.3)	14.72 x 12.72 x 6.06 (373.9 x 323.1 x 153.9)	13.91 x 10.00 (353.3 x 254.0)	12.25 (311)	10.25 (260)	5.60 (142.3)	.38 (9.6)	16.21 x 10.00 (411.7 x 254.0)	16.98 (431.4)	6.59 (167.4)	.25 (6.35)
HW-*141208*	15.49 x 13.86 x 8.34 (393.4 x 352.0 x 211.8)	14.66 x 12.66 x 8.06 (372.4 x 321.6 x 204.7)	13.88 x 10.00 (352.5 x 254.0)	12.25 (311)	10.25 (260)	7.60 (193.2)	.38 (9.6)	16.19 x 10.00 (411.2 x 254.0)	16.96 (430.9)	8.59 (218.2)	.25 (6.35)
HW-*161408*	17.58 x 15.96 x 8.34 (446.6 x 405.4 x 211.8)	16.69 x 14.69 x 8.06 (424.0 x 373.1 x 204.7)	15.96 x 12.00 (405.4 x 304.8)	14.25 (362)	12.25 (311)	7.60 (193.2)	.38 (9.6)	18.26 x 12.00 (464.0 x 304.8)	19.04 (483.5)	8.59 (218.2)	.25 (6.35)
HW-*181610*	19.77 x 18.15 x 10.34 (502.2 x 461.0 x 262.6)	18.63 x 16.63 x 10.06 (473.2 x 422.4 x 255.5)	17.94 x 14.00 (455.6 x 355.6)	16.25 (413)	14.25 (362)	9.60 (243.9)	.38 (9.6)	20.24 x 14.00 (514.3 x 355.6)	21.02 (533.8)	10.59 (268.9)	.25 (6.35)
HW-*201610*	21.79 x 18.16 x 10.34 (553.5 x 461.2 x 262.6)	20.63 x 16.63 x 10.06 (524.0 x 422.4 x 255.5)	19.96 x 14.00 (506.9 x 355.6)	18.25 (463)	14.25 (362)	9.59 (243.7)	.38 (9.6)	22.26 x 14.00 (565.6 x 355.6)	23.04 (585.1)	10.59 (268.9)	.25 (6.35)

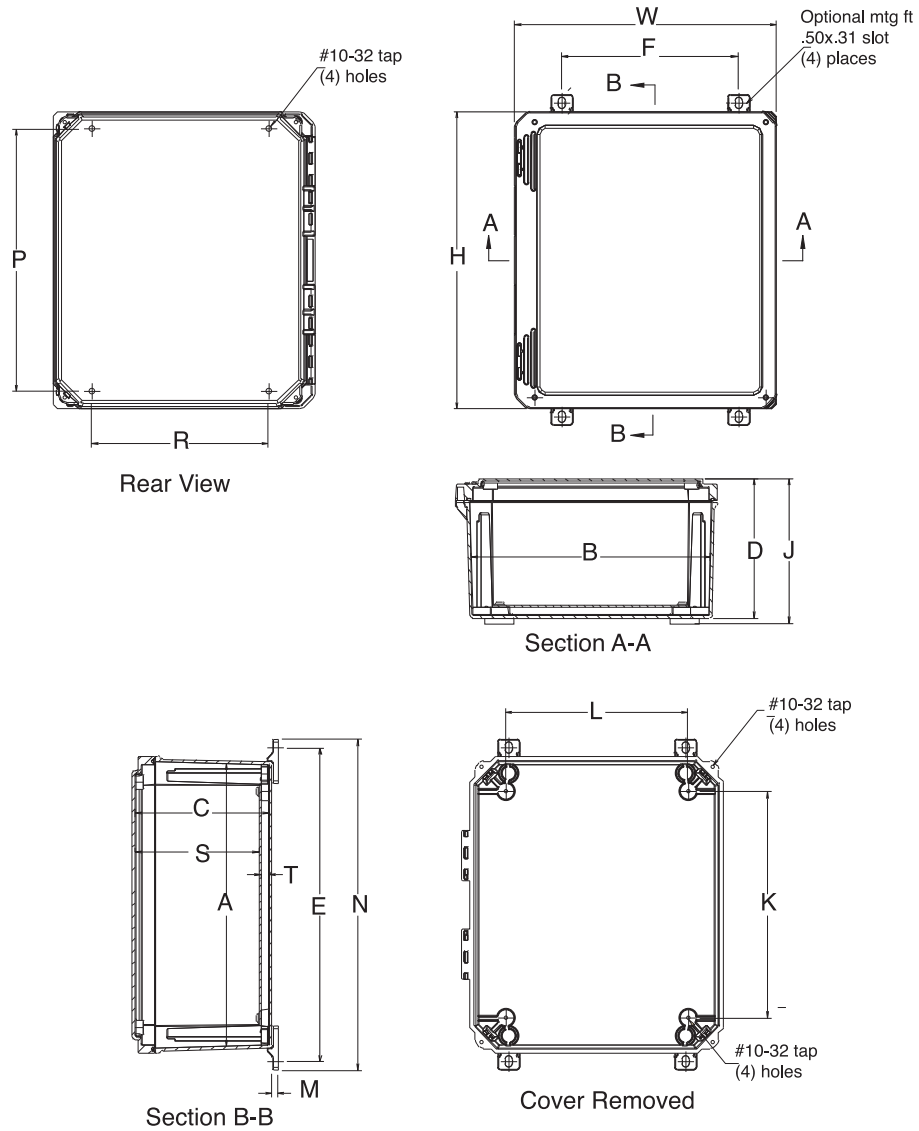
Dimensions in inches (millimeters). Letters in table correspond to letters on dimensional drawings.

Note: Base Part Number denotes enclosure size only. Defining alphabetical characters are represented by an asterisk (for example: HW-*60604* denotes dimensions for HW-60604CHSC, HW-60604CHQR, HW-CC60604CHQR, or HW-CC60604CHTL. Do not use Base Part Numbers to order enclosures.

Use only complete part numbers when ordering.

For Optional Mounting Foot Kit for Slim Line Series see page E77. (Ref: HW-N4XMGFTKIT)

**PREMIUM SERIES NON-METALLIC ENCLOSURES
DIMENSIONS FOR PREMIER SERIES ENCLOSURES**



**SLIM LINE SERIES NON-METALLIC ENCLOSURES
JUNCTION BOX WITH LIFT-OFF OPAQUE COVER**



HW-N4X1144

Industry Standards

- UL/cUL 50/508, Types 1, 3, 4X, 6P, 12
- CSA Standard C22.2 Types 1, 3, 4X, 6P, 12
- NEMA Standard 250 Types 1, 3, 4x, 6P, 12
- Temperature Range: -40°F to 250°F (-40°C to 120°C)
- Flammability Rating: UL94-5V
- Non-flame propagating



FEATURES-SPECIFICATIONS

Construction

- Hot compression molded fiberglass reinforced thermoset polyester
- Poured polyurethane seamless gasket provides watertight dust-tight environmental seal
- NEMA 4X rating
- Workable material cuts, drills, punches and saws with ease and accuracy
- Four recessed captive stainless steel screws
- Optional mounting foot kit available

- 300 Series stainless steel used on all external hardware
- Raised bosses with brass inserts accepting 10-32 screws for optional panel mounting
- Rounded edges, minimal protrusions or exposed pocket areas for accumulation of dust or debris
- Non-corrosive in chemical exposure
- Rated watertight and submersible for long periods
- High impact resistance

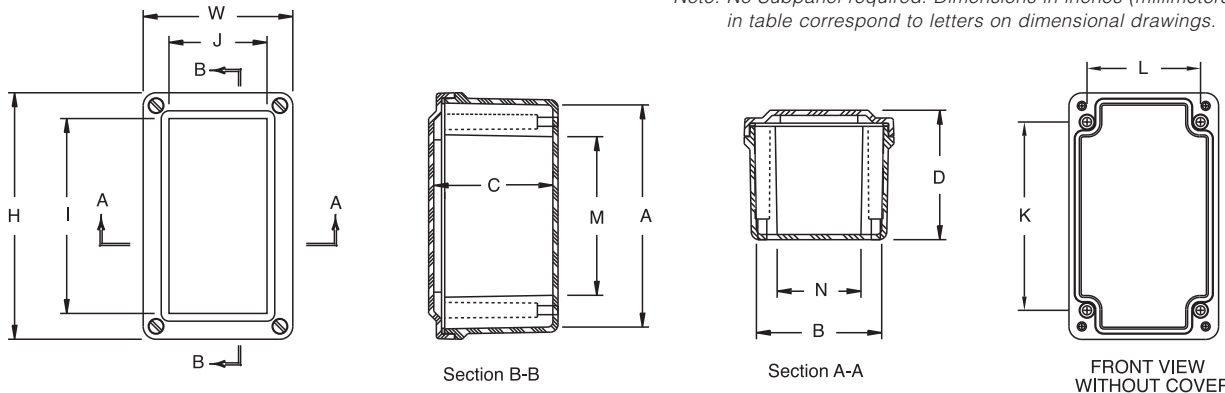
- Non-conductive double insulated material
- Lift-off cover with four cover screws
- Smooth surface, no color variations, swirls or color pockets, no voids
- Color: Gray

Accessories

- For Optional Mounting Foot Kit for Slim Line Series see page E77 (Ref: HW-N4XMGFTKIT)
- See pages E77-E79

CLEAR, HINGED COVER WITH LINK LOCK LATCHES PREMIER SERIES NON-METALLIC ENCLOSURES									
PART NUMBER	ENCLOSURE OVERALL SIZE HxWxD	ENCLOSURE INSIDE AxBxC	I	J	K	L	M	N	WT.
HW-N4X332	3.72 x 3.63 x 2.95 (95 x 92 x 75)	3.13 x 3.03 x 2.70 (79 x 77 x 69)	3.22 (82)	2.12 (54)	2.31 (59)	2.75 (70)	1.59 (40)	2.03 (52)	1 lb.
HW-N4X532	5.97 x 3.63 x 3.14 (152 x 92 x 80)	5.38 x 3.03 x 2.87 (137 x 77 x 73)	4.72 (120)	2.38 (60)	4.56 (116)	2.75 (70)	3.84 (98)	2.03 (52)	1 lb.
HW-N4X644	6.63 x 3.81 x 3.89 (168 x 97 x 99)	6.00 x 3.19 x 3.63 (153 x 81 x 92)	5.31 (135)	2.50 (64)	4.88 (124)	2.94 (75)	4.13 (105)	2.19 (56)	2 lbs.
HW-N4X832	8.41 x 3.63 x 3.14 (214 x 92 x 80)	7.82 x 3.03 x 2.87 (199 x 77 x 73)	7.16 (182)	2.38 (60)	7.00 (178)	2.75 (70)	6.28 (160)	2.03 (52)	2 lbs.
HW-N4X844	8.88 x 3.81 x 3.89 (225 x 97 x 99)	8.26 x 3.19 x 3.63 (210 x 81 x 92)	7.56 (192)	2.50 (64)	7.13 (181)	2.94 (75)	6.38 (162)	2.19 (56)	2 lbs.
HW-N4X932	9.35 x 3.63 x 3.14 (237 x 92 x 80)	8.75 x 3.03 x 2.87 (222 x 77 x 73)	8.10 (206)	2.38 (60)	7.94 (202)	2.75 (70)	7.22 (183)	2.03 (52)	2 lbs.
HW-N4X1144	11.13 x 3.81 x 3.89 (283 x 97 x 99)	10.51 x 3.19 x 3.63 (267 x 81 x 92)	9.81 (249)	2.50 (64)	9.37 (238)	2.94 (75)	8.63 (219)	2.19 (56)	2 lbs.
HW-N4X1432	13.78 x 3.63 x 3.14 (350 x 92 x 80)	13.19 x 3.03 x 2.87 (335 x 77 x 73)	12.53 (318)	2.38 (60)	12.37 (314)	2.75 (70)	11.66 (296)	2.03 (52)	2 lbs.
HW-N4X1732	17.35 x 3.63 x 3.14 (441 x 92 x 80)	16.75 x 3.03 x 2.87 (426 x 77 x 73)	16.10 (409)	2.50 (64)	15.94 (405)	2.75 (70)	15.22 (387)	2.03 (52)	3 lbs.

Note: No Subpanel required. Dimensions in inches (millimeters); letters in table correspond to letters on dimensional drawings.



**SLIM LINE SERIES NON-METALLIC ENCLOSURES
JUNCTION BOX WITH LIFT-OFF OPAQUE COVER**



HW-N4X763SC

Industry Standards

- UL/cUL 50/508, Types 1, 3, 4X, 6P, 12
- CSA Standard C22.2 Types 1, 3, 4x, 6P, 12
- NEMA Standard 250 Types 1, 3, 4x, 6P, 12
- Temperature Range: -40°F to 250°F (-40°C to 120°C)
- Flammability Rating: UL94-5V
- Non-flame propagating



FEATURES-SPECIFICATIONS

Construction

- Hot compression molded fiberglass reinforced thermoset polyester
- Poured polyurethane seamless gasket provides watertight dust-tight environmental seal
- NEMA 4X rating
- Workable material cuts, drills, punches and saws with ease and accuracy
- Four recessed captive stainless steel screws
- 300 Series stainless steel used on all external hardware

- Optional mounting foot kit available
- Raised bosses with brass inserts accepting 10-32 screws for optional panel mounting
- Rounded edges, minimal protrusions or exposed pocket areas for accumulation of dust or debris
- Non-corrosive in chemical exposure
- Rated watertight and submersible for long periods
- High impact resistance
- Non-conductive double insulated material

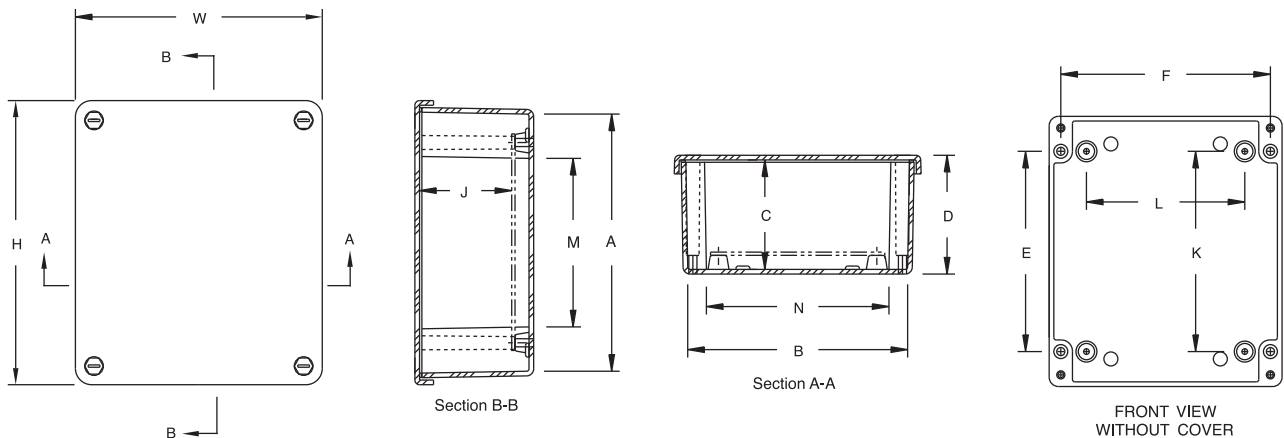
- Lift-off cover with four cover screws
- Smooth surface, no color variations, swirls or color pockets, no voids
- Optional carbon steel back panel available
- Color: Gray

Accessories

- For Optional Mounting Foot Kit for Slim Line Series see page E77 (Ref: HW-N4XMGFTKIT)
- See pages E77-E79

CLEAR, HINGED COVER WITH LINK LOCK LATCHES PREMIER SERIES NON-METALLIC ENCLOSURES										
PART NUMBER	ENCLOSURE OVERALL SIZE HxWxD	ENCLOSURE INSIDE AxBxC	WT.	CARBON STEEL SUBPANEL	MOUNTING ExF	J	K	L	M	N
HW-N4X763SC	7.63 x 6.63 x 3.19 (194 x 168 x 81)	6.90 x 5.90 x 2.88 (175 x 150 x 73)	3 lbs.	HW-MP706CS	5.37 x 5.63 (137 x 143)	2.48 (63)	5.37 (137)	4.25 (108)	4.52 (115)	4.9 (124)
HW-N4X963SC	9.87 x 6.63 x 3.19 (251 x 168 x 81)	9.15 x 5.90 x 2.88 (232 x 150 x 73)	3 lbs.	HW-MP906CS	7.62 x 5.63 (194 x 143)	2.48 (63)	7.62 (194)	4.25 (108)	6.77 (172)	4.9 (124)

Note: Subpanels must be ordered separately. Dimensions in inches (millimeters); letters in table correspond to letters on dimensional drawings.



PUSHBUTTON IN-LINE SERIES NON-METALLIC ENCLOSURES
30MM PUSHBUTTON IN-LINE WITH LIFT-OFF COVER



HW-N4X1PB

Industry Standards

- UL/cUL 50/508, Types 1, 3, 4X, 6P, 12
- CSA Standard C22.2 Types 1, 3, 4x, 6P, 12
- NEMA Standard 250 Types 1, 3, 4x, 6P, 12
- Temperature Range: -40°F to 250°F (-40°C to 120°C)
- Flammability Rating: UL94-5V
- Non-flame propagating



FEATURES-SPECIFICATIONS

Construction

- Hot compression molded fiberglass reinforced thermoset polyester
- Poured polyurethane seamless gasket provides watertight, dust-tight environmental seal
- Recessed captive stainless steel screws
- 300 Series stainless steel used on all external hardware

- Workable material cuts, drills, punches and saws with ease and accuracy
- **Optional** mounting foot kit available
- Rounded edges, minimal protrusions or exposed pocket area for accumulation of dust or debris
- Metal grounding strap
- Submersible, non-corrosive environmental design
- Lift off cover with four cover screws

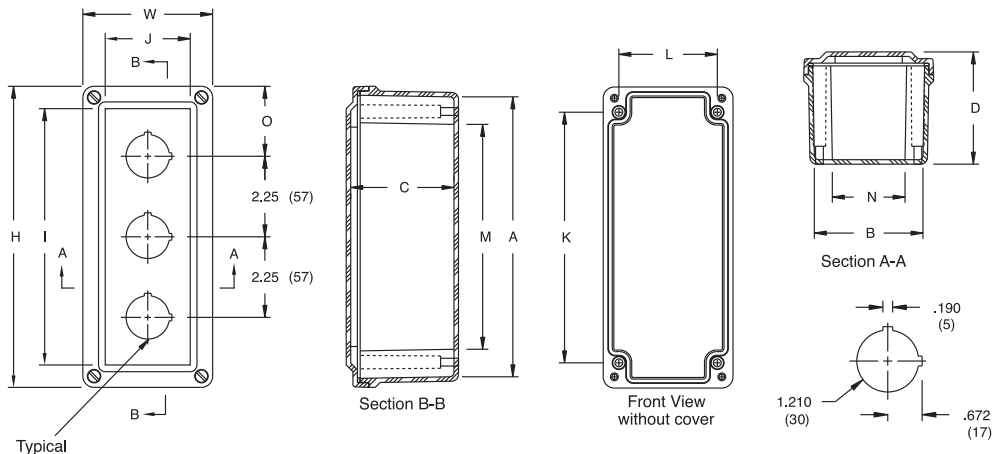
- Non-conductive, impact resistant, 7 UV resistant
- Smooth surface, no color variations, swirls or color pockets, no voids
- Color: Gray

Accessories

- For Optional Mounting Foot Kit for Slim Line Series see page E77 (Ref: HW-N4XMGFTKIT)
- See pages E77-E79

30MM PUSHBUTTON IN-LINE SERIES WITH LIFT-OFF COVER											
PART NUMBER	PB CUTOUTS	ENCLOSURE OVERALL SIZE HxWxD	ENCLOSURE INSIDE DIMENSIONS AxBxC	I	J	K	L	M	N	O	WT.
HW-N4X1PB	1	6.63 x 3.81 x 3.89 (168 x 97 x 99)	6.00x3.19x 3.63 (153x81x92)	5.31 (135)	2.5 (64)	4.88 (124)	2.94 (75)	4.13 (105)	2.19 (56)	3.31 (84)	2 lbs.
HW-N4X2PB	2	6.63 x 3.81 x 3.89 (168 x 97 x 99)	6.00x3.19x3.63 (153x81x92)	5.31 (135)	2.5 (64)	4.88 (124)	2.94 (75)	4.13 (105)	2.19 (56)	2.19 (56)	2 lbs.
HW-N4X3PB	3	8.88 x 3.81 x 3.89 (225 x 97 x 99)	8.26x3.19x3.63 (210x81x92)	7.56 (192)	2.5 (64)	7.13 (181)	2.94 (75)	6.38 (162)	2.19 (56)	2.19 (56)	2 lbs.
HW-N4X4PB	4	11.13 x 3.81 x 3.89 (283 x 97 x 99)	10.51x3.19x3.63 (267x81x92)	9.81 (249)	2.5 (64)	9.37 (238)	2.94 (75)	8.63 (219)	2.19 (56)	2.19 (56)	2 lbs.
HW-N4X5PB	5	13.78 x 3.63 x 3.14 (350 x 92 x 80)	13.19x3.03x2.87 (335x77x73)	12.53 (318)	2.38 (60)	12.37 (314)	2.75 (70)	11.66 (296)	2.03 (52)	2.39 (61)	2 lbs.
HW-N4X6PB	6	17.35 x 3.63 x 3.14 (441 x 92 x 80)	16.75x3.03x2.87 (426x77x73)	16.1 (409)	2.38 (60)	15.94 (405)	2.75 (70)	15.22 (387)	2.03 (52)	3.05 (77)	3 lbs.
HW-N4X7PB	7	17.35 x 3.63 x 3.14 (441 x 92 x 80)	16.75x3.03x2.87 (426x77x73)	16.1 (409)	2.38 (60)	15.94 (405)	2.75 (70)	15.22 (387)	2.03 (52)	1.92 (49)	3 lbs.

Note: Dimensions in inches (millimeters); letters in table correspond to letters on dimensional drawings.



PUSHBUTTON IN-LINE SERIES NON-METALLIC ENCLOSURES
22MM PUSHBUTTON IN-LINE WITH LIFT-OFF COVER



HW-N4X4PB-SS

Industry Standards

- UL/cUL 50/508, Types 1, 3, 4X, 6P, 12
- CSA Standard C22.2 Types 1, 3, 4x, 6P, 12
- NEMA Standard 250 Types 1, 3, 4x, 6P, 12
- Temperature Range: -40°F to 250°F (-40°C to 120°C)
- Flammability Rating: UL94-5V
- Non-flame propagating



FEATURES-SPECIFICATIONS

Construction

- Hot compression molded fiberglass reinforced thermoset polyester
- Poured polyurethane seamless gasket provides watertight, dust-tight environmental seal
- Recessed captive stainless steel screws
- 300 Series stainless steel used on all external hardware

- Workable material cuts, drills, punches and saws with ease and accuracy
- **Optional** mounting foot kit available
- Rounded edges, minimal protrusions or exposed pocket area for accumulation of dust or debris
- Metal grounding strap
- Submersible, non-corrosive environmental design
- Lift off cover with four cover screws

- Non-conductive, impact resistant, UV resistant
- Smooth surface, no color variations, swirls or color pockets, no voids
- Color: Gray

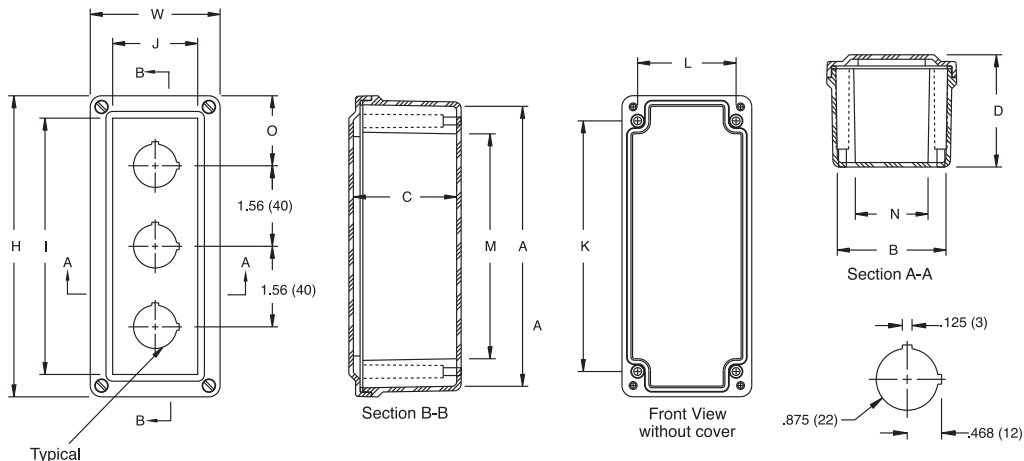
Accessories

- For Optional Mounting Foot Kit for Slim Line Series see page E77 (Ref: HW-N4XMGFTKIT)
- See pages E77-E79

22MM PUSHBUTTON IN-LINE SERIES WITH LIFT-OFF COVER

PART NUMBER	PB CUTOUTS	ENCLOSURE OVERALL SIZE HxWxD	ENCLOSURE INSIDE DIMENSIONS AxBxC	I	J	K	L	M	N	O	WT.
HW-N4X1PB-22	1	6.63 x 3.81 x 3.89 (168 x 97 x 99)	6.00 x 3.19 x 3.63 (153 x 81 x 92)	5.31 (135)	2.5 (64)	4.88 (124)	2.94 (75)	4.13 (105)	2.19 (56)	3.31 (84)	2 lbs.
HW-N4X2PB-22	2	6.63 x 3.81 x 3.89 (168 x 97 x 99)	6.00 x 3.19 x 3.63 (153 x 81 x 92)	5.31 (135)	2.5 (64)	4.88 (124)	2.94 (75)	4.13 (105)	2.19 (56)	2.53 (64)	2 lbs.
HW-N4X3PB-22	3	6.63 x 3.81 x 3.89 (168 x 97 x 99)	6.00 x 3.19 x 3.63 (153 x 81 x 92)	5.31 (135)	2.5 (64)	4.88 (124)	2.94 (75)	4.13 (105)	2.19 (56)	1.75 (44)	2 lbs.
HW-N4X4PB-22	4	8.88 x 3.81 x 3.89 (225 x 97 x 99)	8.26 x 3.19 x 3.63 (210 x 81 x 92)	7.56 (192)	2.5 (64)	7.13 (181)	2.94 (75)	6.38 (162)	2.19 (56)	2.09 (53)	2 lbs.
HW-N4X5PB-22	5	11.13 x 3.81 x 3.89 (283 x 97 x 99)	10.51 x 3.19 x 3.63 (267 x 81 x 92)	9.81 (249)	2.5 (64)	9.37 (238)	2.94 (75)	8.63 (219)	2.19 (56)	2.44 (62)	2 lbs.
HW-N4X6PB-22	6	11.13 x 3.81 x 3.89 (283 x 97 x 99)	10.51 x 3.19 x 3.63 (267 x 81 x 92)	9.81 (249)	2.5 (64)	9.37 (238)	2.94 (75)	8.63 (219)	2.19 (56)	1.66 (42)	3 lbs.
HW-N4X7PB-22	7	13.78 x 3.63 x 3.14 (350 x 92 x 80)	13.19 x 3.03 x 2.87 (335 x 77 x 73)	12.53 (318)	2.38 (60)	12.37 (314)	2.75 (70)	11.66 (296)	2.03 (52)	2.20 (56)	3 lbs.

Note: Dimensions in inches (millimeters); letters in table correspond to letters on dimensional drawings.





HW-N4X12PBW

Industry Standards

- UL/cUL 50/508, Types 1, 3, 4X, 6P, 12
- CSA Standard C22.2 Types 1, 3, 4x, 6P, 12
- NEMA Standard 250 Types 1, 3, 4x, 6P, 12
- Temperature Range: -40°F to 250°F (-40°C to 120°C)
- Flammability Rating: UL94-5V
- Non-flame propagating

 UL File E64791

 CSA File 222873

FEATURES-SPECIFICATIONS
Construction

- Hot compression molded fiberglass reinforced thermoset polyester
- Poured polyurethane seamless gasket provides watertight, dust-tight environmental seal
- Recessed captive stainless steel screws
- 300 Series stainless steel used on all external hardware
- Integral mounting flange for easy mounting

- Optional mounting foot kit not available on this model
- Rounded edges, minimal protrusions or exposed pocket areas for accumulation of dust or debris
- Raised bosses with brass inserts accepting 10-32 screws for optional panel mounting
- Stainless steel beaded cover retention chain
- Metal grounding strap

- Submersible, non-corrosive environmental design
- Lift off cover with four cover screws
- Non-conductive, impact resistant, UV resistant
- Smooth surface, no color variations, swirls or color pockets, no voids
- Color: Gray

Accessories

- See pages E77-E79

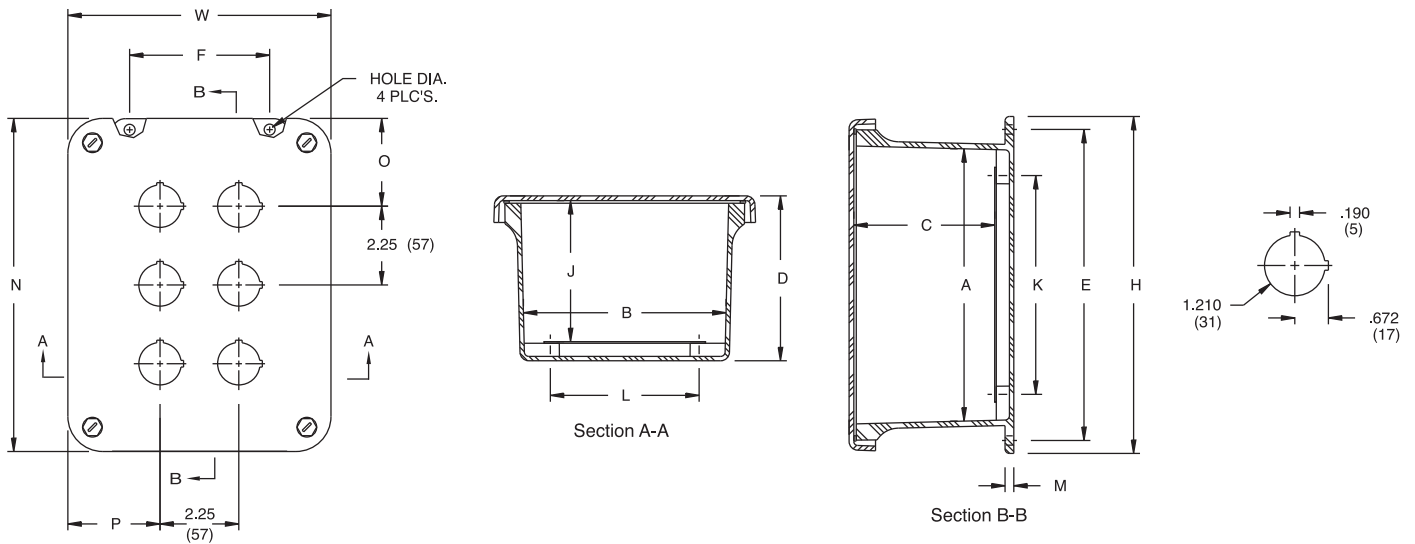
30MM MULTI-HOLE PUSHBUTTON SERIES WITH LIFT-OFF COVER							
PART NUMBER	ENCLOSURE OVERALL SIZE HxWxD	ENCLOSURE INSIDE AxBxC	WT.	CARBON STEEL SUBPANEL	FIBERGLASS SUBPANEL	STAINLESS STEEL SUBPANEL	ALUMINUM SUBPANEL
HW-N4X4PBW	7.50 x 7.50 x 4.75 (191 x 191 x 121)	5.72 x 5.72 x 4.45 (145 x 145 x 113)	2.75 lbs.	HW-MP606CS	HW-MP606FG	HW-MP606SS	HW-MP606A
HW-N4X6PBW	9.62 x 7.50 x 4.74 (244 x 191 x 121)	7.73 x 5.74 x 4.45 (196 x 146 x 113)	3.5 lbs.	HW-MP806CS	HW-MP806FG	HW-MP806SS	HW-MP806A
HW-N4X9PBW	11.62 x 9.41 x 4.25 (295 x 239 x 108)	9.73 x 7.73 x 3.98 (247 x 196 x 101)	5 lbs.	HW-MP1008CS	HW-MP1008FG	HW-MP1008SS	HW-MP1008A
HW-N4X12PBW	11.62 x 9.41 x 4.25 (295 x 239 x 108)	9.73 x 7.73 x 3.98 (24 x 196 x 101)	5 lbs.	HW-MP1008CS	HW-MP1008FG	HW-MP1008SS	HW-MP1008A
HW-N4X16PBW	13.56 x 11.43 x 5.21 (344 x 291 x 132)	11.79 x 9.80 x 4.94 (299 x 249 x 125)	6.5 lbs.	HW-MP1210CS	HW-MP1210FG	HW-MP1210SS	HW-MP1210A
HW-N4X20PBW	13.56 x 11.43 x 5.21 (344 x 291 x 132)	11.79 x 9.80 x 4.94 (299 x 249 x 125)	6.5 lbs.	HW-MP1210CS	HW-MP1210FG	HW-MP1210SS	HW-MP1210A
HW-N4X25PBW	15.50 x 13.50 x 6.25 (394 x 343 x 159)	13.53 x 11.55 x 5.94 (344 x 293 x 151)	8.5 lbs.	HW-MP1412CS	HW-MP1412FG	HW-MP1412SS	HW-MP1412A

Note: Subpanels must be ordered separately. Dimensions in inches (millimeters)



30MM MULTI-HOLE PUSHBUTTON SERIES WITH LIFT-OFF COVER												
PART NUMBER	PB CUTOUTS	ENCLOSURE OVERALL SIZE HxWxD	ENCLOSURE INSIDE AxBxC	MOUNTING ExF	J	K	L	N	M	O	P	HOLE DIA.
HW-N4X4PBW	4	7.50 x 7.50 x 4.75 (91 x 191 x 121)	5.72 x 5.72 x 4.45 (145 x 145 x 113)	6.75 x 4 (171 x 101)	4 (101)	4.25 (108)	4.25 (108)	0.25 (6)	7.52 (191)	2.64 (67)	2.64 (67)	0.31(8)
HW-N4X6PBW	6	9.62 x 7.50 x 4.74 (244 x 191 x 121)	7.73 x 5.74 x 4.45 (196 x 146 x 113)	8.88 x 4 (225 x 101)	4 (101)	6.25 (159)	4.25 (108)	0.25 (6)	9.5 (242)	2.64 (67)	2.51 (64)	0.31(8)
HW-N4X9PBW	9	11.62 x 9.41 x 4.25 (295 x 239 x 108)	9.73 x 7.73 x 3.98 (247 x 196 x 101)	10.75 x 6 (273 x 152)	3.5 (89)	8.25 (209)	6.25 (159)	0.25 (6)	11.35(288)	3.43 (87)	2.45 (62)	0.31(8)
HW-N4X12PBW	12	11.62 x 9.41 x 4.25 (295 x 239 x 108)	9.73 x 7.73 x 3.98 (24 x 196 x 101)	10.75 x 6 (273 x 152)	3.5 (89)	8.25 (209)	6.25 (159)	0.25 (6)	11.35(288)	2.3 (58)	2.45 (62)	0.31(8)
HW-N4X16PBW	16	13.56 x 11.43 x 5.21 (344 x 291 x 132)	11.79 x 9.80 x 4.94 (299 x 249 x 125)	12.75 x 8 (324 x 203)	4.5 (114)	10.25 (260)	8.25 (209)	0.25 (6)	13.41(341)	3.33 (85)	2.30 (58)	0.31(8)
HW-N4X20PBW	20	13.56 x 11.43 x 5.21 (344 x 291 x 132)	11.79 x 9.80 x 4.94 (299 x 249 x 125)	12.75 x 8 (324 x 203)	4.5 (114)	10.25 (260)	8.25 (209)	0.25 (6)	13.41(341)	2.2 (56)	2.10 (53)	0.31(8)
HW-N4X25PBW	25	15.50 x 13.50 x 6.25 (394 x 343 x 159)	13.53 x 11.55 x 5.94 (344 x 293 x 151)	14.62 x 10 (371 x 254)	5.37(137)	12.25 (311)	10.25 (260)	0.25 (6)	15.47(393)	3.24 (82)	2.25 (57)	0.31(8)

Note: Subpanels must be ordered separately. Dimensions in inches (millimeters); letters in table correspond to letters on dimensional drawings.



JIC SERIES NON-METALLIC ENCLOSURES OPAQUE, LIFT-OFF COVER WITH FOUR SCREWS



HW-J100805SC
CROWNED COVER MODEL SHOWN

Industry Standards

- UL/cUL 50/508, Types 1, 3, 4X, 6P, 12
- CSA Standard C22.2 Types 1, 3, 4x, 6P, 12
- NEMA Standard 250 Types 1, 3, 4x, 6P, 12
- Temperature Range: -40°F to 250°F (-40°C to 120°C)
- Flammability Rating: UL94-5V
- Non-flame propagating

 UL File E64791

 CSA File 222873

FEATURES-SPECIFICATIONS

Construction

- Hot compression molded fiberglass reinforced thermoset polyester
- Poured polyurethane seamless gasket provides watertight, dust-tight environmental seal
- Recessed pan head screws – no protruding surfaces
- 300 Series stainless used on all external hardware
- Rounded edges, minimal protrusions or exposed pocket area for accumulation of dust or debris

- Molded in flange for easy mounting
- Panel mounting capability for fixed rear panel
- Raised bosses with brass inserts accepting 10-32 screws for optional panel mounting
- Stainless steel beaded cover retention chain
- Workable material cuts, drills, punches and saws with ease and accuracy
- Submersible, non-corrosive environmental design

- Lift off cover

- Non-conductive, impact resistant, UV resistant
- Smooth surface, no color variations, swirls or color pockets, no voids

Accessories

- See pages E77-E79

JIC SERIES WITH OPAQUE, LIFT OFF, FOUR-SCREW COVER							
PART NUMBER	ENCLOSURE OVERALL SIZE HxWxD	ENCLOSURE INSIDE AxBxC	WT.	CARBON STEEL SUBPANEL	FIBERGLASS SUBPANEL	STAINLESS STEEL SUBPANEL	ALUMINUM SUBPANEL
HW-J60404SC	7.50 x 5.43 x 4.75 (191 x 138 x 121)	5.84 x 3.85 x 4.45 (148 x 98 x 113)	2.5 lbs.	HW-MP604CS	HW-MP604FG	HW-MP604SS	HW-MP604A
HW-J60604SC	7.50 x 7.50 x 4.75 (191 x 191 x 121)	5.72 x 5.72 x 4.45 (145 x 145 x 113)	2.75 lbs.	HW-MP606CS	HW-MP606FG	HW-MP606SS	HW-MP606A
HW-J80604SC	9.62 x 7.50 x 4.74 (244 x 191 x 121)	7.73 x 5.74 x 4.45 (196 x 146 x 113)	3.5 lbs.	HW-MP806CS	HW-MP806FG	HW-MP806SS	HW-MP806A
HW-J100804SC	11.62 x 9.41 x 4.25 (295 x 239 x 108)	9.73 x 7.73 x 3.98 (247 x 196 x 101)	5 lbs.	HW-MP1008CS	HW-MP1008FG	HW-MP1008SS	HW-MP1008A
HW-J100805SC (crowned cover)*	11.62 x 9.37 x 5.06 (295 x 238 x 129)	9.73 x 7.73 x 4.83 (247 x 196 x 123)	5 lbs.	HW-MP1008CS	HW-MP1008FG	HW-MP1008SS	HW-MP1008A
HW-J121005SC	13.56 x 11.43 x 5.21 (344 x 291 x 132)	11.79 x 9.80 x 4.94 (299 x 249 x 125)	6.5 lbs.	HW-MP1210CS	HW-MP1210FG	HW-MP1210SS	HW-MP1210A
HW-J141206SC	15.50 x 13.50 x 6.25 (394 x 343 x 159)	13.53 x 11.55 x 5.94 (344 x 293 x 151)	8.5 lbs.	HW-MP1412CS	HW-MP1412FG	HW-MP1412SS	HW-MP1412A
HW-J161406SC	17.53 x 15.46 x 6.23 (445 x 393 x 158)	15.63 x 13.60 x 5.94 (397 x 345 x 151)	11.5 lbs.	HW-MP1614CS	HW-MP1614FG	HW-MP1614SS	HW-MP1614A
HW-J181608SC	19.62 x 17.61 x 8.82 (498 x 447 x 224)	17.69 x 15.69 x 8.45 (449 x 399 x 215)	19.25 lbs.	HW-MP1816CS	HW-MP1816FG	HW-MP1816SS	HW-MP1816A
HW-J201608SC	22.00 x 17.68 x 8.83 (559 x 449 x 224)	19.72 x 15.72 x 8.45 (501 x 399 x 215)	20.25 lbs.	HW-MP2016CS	HW-MP2016FG	HW-MP2016SS	HW-MP2016A

Note: Subpanels must be ordered separately. Dimensions in inches (millimeters).

*Note: In crowned cover units, the center of the cover is raised 3/4". Crowned cover is available only in 10x8x5 size enclosure.

**JIC SERIES NON-METALLIC ENCLOSURES
OPAQUE, HINGED COVER WITH TWO SCREWS**



HW-J100804CHSC

Industry Standards

- UL/cUL 50/508, Types 1, 3, 3S, 12, 13, 4x
- CSA Standard C22.2 Types 1, 3, 3S, 12, 13, 4x
- NEMA Standard 250 Types 1, 3, 3S, 12, 13, 4x
- IEC 60529 IP66
- UL94 V-0, 5V flammability rating
- Non-flame propagating
- Flame Spread classification per NFPA No. 101, Class A (1)
- Temperature Range: -40°F to 250°F (-40°C to 120°C)



FEATURES-SPECIFICATIONS

Construction

- Hot compression molded fiberglass reinforced thermoset polyester
- Poured polyurethane seamless gasket provides watertight, dust-tight environmental seal
- Recessed pan head screws – no protruding surfaces
- 300 Series stainless steel used on all external hardware
- Rounded edges, minimal protrusions or exposed pocket area for accumulation of dust or debris

- Molded in flange for easy mounting
- Panel mounting capability for fixed rear panel
- Raised bosses with brass inserts accepting 10-32 screws for optional panel mounting
- Workable material cuts, drills, punches and saws with ease and accuracy
- Submersible, non-corrosive environmental design
- Full length stainless steel hinged cover

- Full 180° door opening
- Non-conductive, impact resistant, UV resistant
- Smooth surface, no color variations, swirls or color pockets, no voids
- Color: Gray

Accessories

- See pages E77-E79

JIC SERIES WITH OPAQUE, HINGED, TWO-SCREW COVER							
PART NUMBER	ENCLOSURE OVERALL SIZE HxWxD	ENCLOSURE INSIDE AxBxC	WT.	CARBON STEEL SUBPANEL	FIBERGLASS SUBPANEL	STAINLESS STEEL SUBPANEL	ALUMINUM SUBPANEL
HW-J60404CHSC	7.50 x 5.43 x 4.75 (191 x 138 x 121)	5.84 x 3.85 x 4.45 (148 x 98 x 113)	2.5 lbs.	HW-MP604CS	HW-MP604FG	HW-MP604SS	HW-MP604A
HW-J60604CHSC	7.50 x 7.50 x 4.75 (191 x 191 x 121)	5.72 x 5.72 x 4.45 (145 x 145 x 113)	2.75 lbs.	HW-MP606CS	HW-MP606FG	HW-MP606SS	HW-MP606A
HW-J80604CHSC	9.62 x 7.50 x 4.74 (244 x 191 x 121)	7.73 x 5.74 x 4.45 (196 x 146 x 113)	3.5 lbs.	HW-MP806CS	HW-MP806FG	HW-MP806SS	HW-MP806A
HW-J100804CHSC	11.62 x 9.41 x 4.25 (295 x 239 x 108)	9.73 x 7.73 x 3.98 (247 x 196 x 101)	5 lbs.	HW-MP1008CS	HW-MP1008FG	HW-MP1008SS	HW-MP1008A
HW-J100805CHSC (crowned cover)*	11.62 x 9.37 x 5.06 (295 x 238 x 129)	9.73 x 7.73 x 4.83 (247 x 196 x 123)	5 lbs.	HW-MP1008CS	HW-MP1008FG	HW-MP1008SS	HW-MP1008A
HW-J121005CHSC	13.56 x 11.43 x 5.21 (344 x 291 x 132)	11.79 x 9.80 x 4.94 (299 x 249 x 125)	6.5 lbs.	HW-MP1210CS	HW-MP1210FG	HW-MP1210SS	HW-MP1210A
HW-J141206CHSC	15.50 x 13.50 x 6.25 (394 x 343 x 159)	13.53 x 11.55 x 5.94 (344 x 293 x 151)	8.5 lbs.	HW-MP1412CS	HW-MP1412FG	HW-MP1412SS	HW-MP1412A
HW-J161406CHSC	17.53 x 15.46 x 6.23 (445 x 393 x 158)	15.63 x 13.60 x 5.94 (397 x 345 x 151)	11.5 lbs.	HW-MP1614CS	HW-MP1614FG	HW-MP1614SS	HW-MP1614A
HW-J181608CHSC	19.62 x 17.61 x 8.82 (498 x 447 x 224)	17.69 x 15.69 x 8.45 (449 x 399 x 215)	19.25 lbs.	HW-MP1816CS	HW-MP1816FG	HW-MP1816SS	HW-MP1816A
HW-J201608CHSC	22.00 x 17.68 x 8.83 (559 x 449 x 224)	19.72 x 15.72 x 8.45 (501 x 399 x 215)	20.25 lbs.	HW-MP2016CS	HW-MP2016FG	HW-MP2016SS	HW-MP2016A

Note: Subpanels must be ordered separately. Dimensions in inches (millimeters).

*Note: In crowned cover units, the center of the cover is raised 3/4". Crowned cover is available only in 10x8x5 size enclosure.

JIC SERIES NON-METALLIC ENCLOSURES OPAQUE, HINGED COVER WITH QUICK RELEASE LATCHES



HW-J121005CHQR

Industry Standards

- UL/cUL 50/508, Types 1, 3, 4X, 6P, 12
- CSA Standard C22.2 Types 1, 3, 4x, 6P, 12
- NEMA Standard 250 Types 1, 3, 4x, 6P, 12
- Temperature Range: -40°F to 250°F (-40°C to 120°C)
- Flammability Rating: UL94-5V
- Non-flame propagating



FEATURES-SPECIFICATIONS

Construction

- Hot compression molded fiberglass reinforced thermoset polyester
- Poured polyurethane seamless gasket provides watertight, dust-tight environmental seal
- Recessed pan head screws – no protruding surfaces
- 300 Series stainless steel used on all external hardware
- Rounded edges, minimal protrusions or exposed pocket areas for accumulation of dust or debris

- Molded in flange for easy mounting
- Panel mounting capability for fixed rear panel
- Raised bosses with brass inserts accepting 10-32 screws for optional panel mounting
- Workable material cuts, drills, punches and saws with ease and accuracy
- Submersible, non-corrosive environmental design
- Full length stainless steel hinged cover

- Integral hasp provides secure loop for padlock (padlock not included)
- Non-conductive, impact resistant, UV resistant
- Smooth surface, no color variations, swirls or color pockets, no voids
- Color: Gray

Accessories

- See pages E77-E79

JIC SERIES WITH OPAQUE HINGED COVER AND QUICK RELEASE LATCHES							
PART NUMBER	ENCLOSURE OVERALL SIZE HxWxD	ENCLOSURE INSIDE AxBxC	WT.	CARBON STEEL SUBPANEL	FIBERGLASS SUBPANEL	STAINLESS STEEL SUBPANEL	ALUMINUM SUBPANEL
HW-J60404CHQR	7.50 x 5.43 x 4.75 (191 x 138 x 121)	5.84 x 3.85 x 4.45 (148 x 98 x 113)	2.5 lbs.	HW-MP604CS	HW-MP604FG	HW-MP604SS	HW-MP604A
HW-J60604CHQR	7.50 x 7.50 x 4.75 (191 x 191 x 121)	5.72 x 5.72 x 4.45 (145 x 145 x 113)	2.75 lbs.	HW-MP606CS	HW-MP606FG	HW-MP606SS	HW-MP606A
HW-J80604CHQR	9.62 x 7.50 x 4.74 (244 x 191 x 121)	7.73 x 5.74 x 4.45 (196 x 146 x 113)	3.5 lbs.	HW-MP806CS	HW-MP806FG	HW-MP806SS	HW-MP806A
HW-J100804CHQR	11.62 x 9.41 x 4.25 (295 x 239 x 108)	9.73 x 7.73 x 3.98 (247 x 196 x 101)	5 lbs.	HW-MP1008CS	HW-MP1008FG	HW-MP1008SS	HW-MP1008A
HW-J100805CHQR (crowned cover)*	11.62 x 9.37 x 5.06 (295 x 238 x 129)	9.73 x 7.73 x 4.83 (247 x 196 x 123)	5 lbs.	HW-MP1008CS	HW-MP1008FG	HW-MP1008SS	HW-MP1008A
HW-J121005CHQR	13.56 x 11.43 x 5.21 (344 x 291 x 132)	11.79 x 9.80 x 4.94 (299 x 249 x 125)	6.5 lbs.	HW-MP1210CS	HW-MP1210FG	HW-MP1210SS	HW-MP1210A
HW-J141206CHQR	15.50 x 13.50 x 6.25 (394 x 343 x 159)	13.53 x 11.55 x 5.94 (344 x 293 x 151)	8.5 lbs.	HW-MP1412CS	HW-MP1412FG	HW-MP1412SS	HW-MP1412A
HW-J161406CHQR	17.53 x 15.46 x 6.23 (445 x 393 x 158)	15.63 x 13.60 x 5.94 (397 x 345 x 151)	11.5 lbs.	HW-MP1614CS	HW-MP1614FG	HW-MP1614SS	HW-MP1614A
HW-J181608CHQR	19.62 x 17.61 x 8.82 (498 x 447 x 224)	17.69 x 15.69 x 8.45 (449 x 399 x 215)	19.25 lbs.	HW-MP1816CS	HW-MP1816FG	HW-MP1816SS	HW-MP1816A
HW-J201608CHQR	22.00 x 17.68 x 8.83 (559 x 449 x 224)	19.72 x 15.72 x 8.45 (501 x 399 x 215)	20.25 lbs.	HW-MP2016CS	HW-MP2016FG	HW-MP2016SS	HW-MP2016A

Note: Subpanels must be ordered separately. Dimensions in inches (millimeters).

*Note: In crowned cover units, the center of the cover is raised 3/4". Crowned cover is available only in 10x8x5 size enclosure.

JIC SERIES NON-METALLIC ENCLOSURES HINGED COVER WITH LINK-LOCK LATCHES AND WINDOW

E65



HW-J121005CHTLW

Industry Standards

- UL/cUL 50/508, Types 1, 3, 4X, 6P, 12
- CSA Standard C22.2 Types 1, 3, 4x, 6P, 12
- NEMA Standard 250 Types 1, 3, 4x, 6P, 12
- Temperature Range: -40°F to 250°F (-40°C to 120°C)
- Flammability Rating: UL94-5V
- Window flammability: UL94V-0
- Non-flame propagating

UL File E64791

CSA File 222873

FEATURES-SPECIFICATIONS

Construction

- Hot compression molded fiberglass reinforced thermoset polyester
- Poured polyurethane seamless gasket provides watertight, dust-tight environmental seal
- Full length stainless steel hinge
- 300 Series stainless steel used on all external hardware
- Rounded edges, minimal protrusions or exposed pocket area for accumulation of dust or debris

- Molded in flange for easy mounting
- Panel mounting capability for fixed rear panel
- Raised bosses with brass inserts accepting 10-32 screws for optional panel mounting
- Workable material cuts, drills, punches and saws with ease and accuracy
- Link lock latch for quick entry
- Latch lies flat on side of enclosure
- Scratch and abrasion resistant UVA acrylic flush bonded window

- Submersible, non-corrosive environmental design
- Full 180° door opening
- Non-conductive, impact resistant, UV resistant
- Smooth surface, no color variations, swirls or color pockets, no voids
- Color: Gray

Accessories

- See pages E77-E79

JIC SERIES WITH WINDOW AND TWO LINK-LOCK LATCHES							
PART NUMBER	ENCLOSURE OVERALL SIZE HxWxD	ENCLOSURE INSIDE AxBxC	WT.	CARBON STEEL SUBPANEL	FIBERGLASS SUBPANEL	STAINLESS STEEL SUBPANEL	ALUMINUM SUBPANEL
HW-J60404CHTLW	7.50 x 5.43 x 4.75 (191 x 138 x 121)	5.84 x 3.85 x 4.45 (148 x 98 x 113)	2.5 lbs.	HW-MP604CS	HW-MP604FG	HW-MP604SS	HW-MP604A
HW-J60604CHTLW	7.50 x 7.50 x 4.75 (191 x 191 x 121)	5.72 x 5.72 x 4.45 (145 x 145 x 113)	2.75 lbs.	HW-MP606CS	HW-MP606FG	HW-MP606SS	HW-MP606A
HW-J80604CHTLW	9.62 x 7.50 x 4.74 (244 x 191 x 121)	7.73 x 5.74 x 4.45 (196 x 146 x 113)	3.5 lbs.	HW-MP806CS	HW-MP806FG	HW-MP806SS	HW-MP806A
HW-J100804CHTLW	11.62 x 9.41 x 4.25 (295 x 239 x 108)	9.73 x 7.73 x 3.98 (247 x 196 x 101)	5 lbs.	HW-MP1008CS	HW-MP1008FG	HW-MP1008SS	HW-MP1008A
HW-J100805CHTLW (crowned cover)*	11.62 x 9.37 x 5.06 (295 x 238 x 129)	9.73 x 7.73 x 4.83 (247 x 196 x 123)	5 lbs.	HW-MP1008CS	HW-MP1008FG	HW-MP1008SS	HW-MP1008A
HW-J121005CHTLW	13.56 x 11.43 x 5.21 (344 x 291 x 132)	11.79 x 9.80 x 4.94 (299 x 249 x 125)	6.5 lbs.	HW-MP1210CS	HW-MP1210FG	HW-MP1210SS	HW-MP1210A
HW-J141206CHTLW	15.50 x 13.50 x 6.25 (394 x 343 x 159)	13.53 x 11.55 x 5.94 (344 x 293 x 151)	8.5 lbs.	HW-MP1412CS	HW-MP1412FG	HW-MP1412SS	HW-MP1412A
HW-J161406CHTLW	17.53 x 15.46 x 6.23 (445 x 393 x 158)	15.63 x 13.60 x 5.94 (397 x 345 x 151)	11.5 lbs.	HW-MP1614CS	HW-MP1614FG	HW-MP1614SS	HW-MP1614A
HW-J181608CHTLW	19.62 x 17.61 x 8.82 (498 x 447 x 224)	17.69 x 15.69 x 8.45 (449 x 399 x 215)	19.25 lbs.	HW-MP1816CS	HW-MP1816FG	HW-MP1816SS	HW-MP1816A
HW-J201608CHTLW	22.00 x 17.68 x 8.83 (559 x 449 x 224)	19.72 x 15.72 x 8.45 (501 x 399 x 215)	20.25 lbs.	HW-MP2016CS	HW-MP2016FG	HW-MP2016SS	HW-MP2016A

Note: Subpanels must be ordered separately. Dimensions in inches (millimeters).

*Note: In crowned cover units, the center of the cover is raised 3/4". Crowned cover is available only in 10x8x5 size enclosure.

**JIC SERIES NON-METALLIC ENCLOSURES
OPAQUE, HINGED COVER WITH QUICK RELEASE LATCHES AND WINDOW**



HW-J100804CHQRW

Industry Standards

- UL/cUL 50/508, Types 1, 3, 4X, 6P, 12
- CSA Standard C22.2 Types 1, 3, 4x, 6P, 12
- NEMA Standard 250 Types 1, 3, 4x, 6P, 12
- Temperature Range: -40°F to 250°F (-40°C to 120°C)
- Flammability Rating: UL94-5V
- Window flammability: UL94V-0
- Non-flame propagating

UL File E64791

CSA File 222873

FEATURES-SPECIFICATIONS

Construction

- Hot compression molded fiberglass reinforced thermoset polyester
- Poured polyurethane seamless gasket provides watertight, dust-tight environmental seal
- Full length stainless steel hinge
- 300 Series stainless steel used on all external hardware
- Rounded edges, minimal protrusions or exposed pocket area for accumulation of dust or debris
- Molded-in flange for easy mounting

- Panel mounting capability for fixed rear panel
- Raised bosses with brass inserts accepting 10-32 screws for optional panel mounting
- Workable material cuts, drills, punches and saws with ease and accuracy
- Padlock latch (padlock not included)
- Snap catch concept with toggle action
- Scratch and abrasion resistant UVA acrylic flush bonded window

- Submersible, non-corrosive environmental design
- Full 180° door opening
- Non-conductive, impact resistant, UV resistant
- Smooth surface, no color variations, swirls or color pockets, no voids
- Color: Gray

Accessories

- See pages E77-E79

JIC SERIES WITH QUICK RELEASE LATCHES AND WINDOW								
PART NUMBER	ENCLOSURE OVERALL SIZE HxWxD	ENCLOSURE INSIDE AxBxC	WINDOW AREA (MAX.)	WT.	CARBON STEEL SUBPANEL	FIBERGLASS SUBPANEL	STAINLESS STEEL SUBPANEL	ALUMINUM SUBPANEL
HW-J60404CHQRW	7.50 x 5.43 x 4.75 (191 x 138 x 121)	5.84 x 3.85 x 4.45 (148 x 98 x 113)	4.25 x 2.25 (108 x 57)	2.5 lbs.	HW-MP604CS	HW-MP604FG	HW-MP604SS	HW-MP604A
HW-J60604CHQRW	7.50 x 7.50 x 4.75 (191 x 191 x 121)	5.72 x 5.72 x 4.45 (145 x 145 x 113)	4.25 x 4.25 (108 x 108)	2.75 lbs.	HW-MP606CS	HW-MP606FG	HW-MP606SS	HW-MP606A
HW-J80604CHQRW	9.62 x 7.50 x 4.74 (244 x 191 x 121)	7.73 x 5.74 x 4.45 (196 x 146 x 113)	6.25 x 4.25 (159 x 108)	3.5 lbs.	HW-MP806CS	HW-MP806FG	HW-MP806SS	HW-MP806A
HW-J100804CHQRW	11.62 x 9.41 x 4.25 (295 x 239 x 108)	9.73 x 7.73 x 3.98 (247 x 196 x 101)	8.25 x 6.25 (210 x 159)	5 lbs.	HW-MP1008CS	HW-MP1008FG	HW-MP1008SS	HW-MP1008A
HW-J121005CHQRW	13.56 x 11.43 x 5.21 (344 x 291 x 132)	11.79 x 9.80 x 4.94 (299 x 249 x 125)	10.25 x 8.25 (260 x 210)	6.5 lbs.	HW-MP1210CS	HW-MP1210FG	HW-MP1210SS	HW-MP1210A
HW-J141206CHQRW	15.50 x 13.50 x 6.25 (394 x 343 x 159)	13.53 x 11.55 x 5.94 (344 x 293 x 151)	12.25 x 10.25 (311 x 260)	8.5 lbs.	HW-MP1412CS	HW-MP1412FG	HW-MP1412SS	HW-MP1412A
HW-J161406CHQRW	17.53 x 15.46 x 6.23 (445 x 393 x 158)	15.63 x 13.60 x 5.94 (397 x 345 x 151)	14.25 x 12.25 (362 x 311)	11.5 lbs.	HW-MP1614CS	HW-MP1614FG	HW-MP1614SS	HW-MP1614A
HW-J181608CHQRW*	19.62 x 17.61 x 8.82 (498 x 447 x 224)	17.69 x 15.69 x 8.45 (449 x 399 x 215)	16.25 x 14.25 (413 x 362)	19.25 lbs.	HW-MP1816CS	HW-MP1816FG	HW-MP1816SS	HW-MP1816A
HW-J201608CHQRW*	22.00 x 17.68 x 8.83 (559 x 449 x 224)	19.72 x 15.72 x 8.45 (501 x 399 x 215)	18.25 x 14.25 (463 x 413)	20.25 lbs.	HW-MP2016CS	HW-MP2016FG	HW-MP2016SS	HW-MP2016A

Note: Subpanels must be ordered separately. Dimensions in inches (millimeters).

*Note: 1816 and 2016 sizes are not 6P Rated.

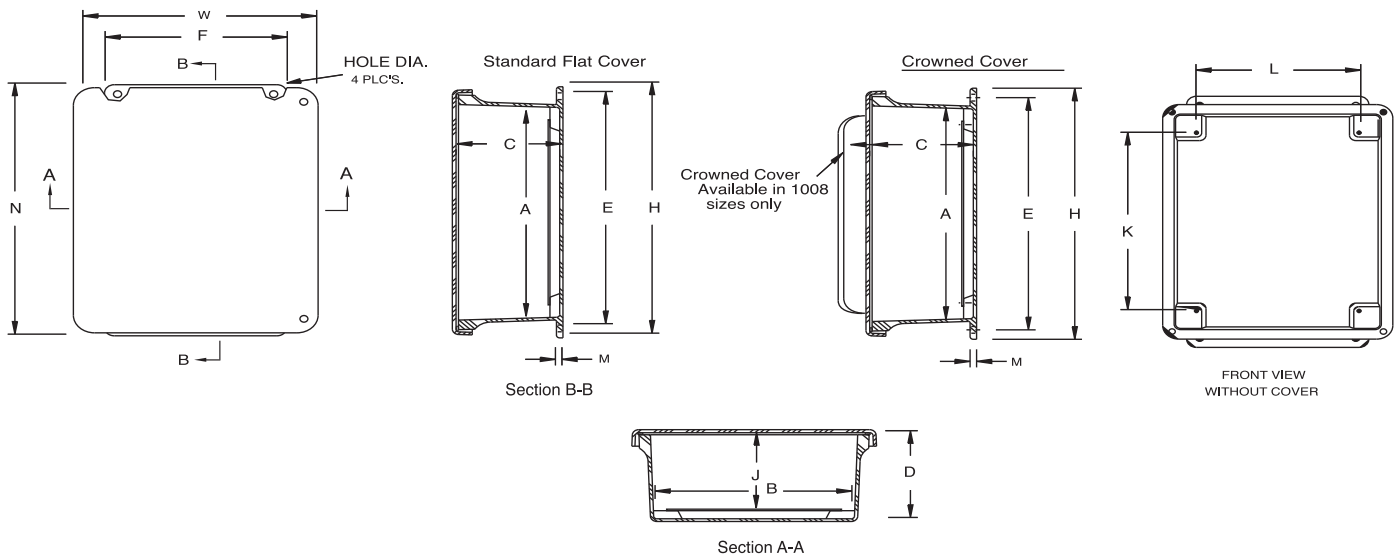
JIC SERIES NON-METALLIC ENCLOSURES OPAQUE, HINGED COVER WITH QUICK RELEASE LATCHES AND WINDOW

E67

DIMENSIONS FOR JIC SERIES NON-METAL ENCLOSURES									
PART NUMBER	ENCLOSURE OVERALL SIZE HxWxD	ENCLOSURE INSIDE AxBxC	MOUNTING ExF	J	K	L	M	N	HOLE DIA.
HW-J60404SC	7.50 x 5.43 x 4.75 (191 x 138 x 121)	5.84 x 3.85 x 4.45 (148 x 98 x 113)	6.75 x 2 (171 x 51)	4 (101)	4.25 (108)	2.25 (57)	0.25 (6)	7.39 (188)	0.31 (8)
HW-J60604SC	7.50 x 7.50 x 4.75 (191 x 191 x 121)	5.72 x 5.72 x 4.45 (145 x 145 x 113)	6.75 x 4 (171 x 101)	4 (101)	4.25 (108)	4.25 (108)	0.25 (6)	7.52 (191)	0.31 (8)
HW-J80604SC	9.62 x 7.50 x 4.74 (244 x 191 x 121)	7.73 x 5.74 x 4.45 (196 x 146 x 113)	8.88 x 4 (225 x 101)	4 (101)	6.25 (159)	4.25 (108)	0.25 (6)	9.5 (242)	0.31 (8)
HW-J100804SC	11.62 x 9.41 x 4.25 (295 x 239 x 108)	9.73 x 7.73 x 3.98 (247 x 196 x 101)	10.75 x 6 (273 x 152)	3.5 (89)	8.25 (209)	6.25 (159)	0.25 (6)	11.35 (288)	0.31 (8)
HW-J100805SC (crowned cover)*	11.62 x 9.37 x 5.06 (295 x 238 x 129)	9.73 x 7.73 x 4.83 (247 x 196 x 123)	10.75 x 6 (273 x 152)	4.37 (111)	8.25 (209)	6.25 (159)	0.25 (6)	11.37 (289)	0.31 (8)
HW-J121005SC	13.56 x 11.43 x 5.21 (344 x 291 x 132)	11.79 x 9.80 x 4.94 (299 x 249 x 125)	12.75 x 8 (324 x 203)	4.5 (114)	10.25 (260)	8.25 (209)	0.25 (6)	13.41 (341)	0.31 (8)
HW-J141206SC	15.50 x 13.50 x 6.25 (394 x 343 x 159)	13.53 x 11.55 x 5.94 (344 x 293 x 151)	14.62 x 10 (371 x 254)	5.37 (137)	12.25 (311)	10.25 (260)	0.25 (6)	15.47 (393)	0.31 (8)
HW-J161406SC	17.53 x 15.46 x 6.23 (445 x 393 x 158)	15.63 x 13.60 x 5.94 (397 x 345 x 151)	16.75 x 12 (425 x 305)	5.36 (136)	14.25 (362)	12.25 (311)	0.25 (6)	17.45 (443)	0.31 (8)
HW-J181608SC	19.62 x 17.61 x 8.82 (498 x 447 x 224)	17.69 x 15.69 x 8.45 (449 x 399 x 215)	18.88 x 12 (479 x 305)	7.99 (203)	16.25 (413)	14.25 (362)	0.25 (6)	19.61 (498)	0.31 (8)
HW-J201608SC	22.00 x 17.68 x 8.83 (559 x 449 x 224)	19.72 x 15.72 x 8.45 (501 x 399 x 215)	21.25 x 10.00 (540 x 254)	8 (203)	18.25 (464)	14.25 (362)	0.25 (6)	21.68 (551)	0.31 (8)

Note: Dimensions in inches (millimeters); letters in table correspond to letters on dimensional drawings.

Note: Base Part Number denotes enclosure size only. Defining alphabetical characters are represented by an asterisk(for example: HW-J60604* denotes dimensions for HW-J60604SC, HW-J60604CHSC, HW-J60604CHQR, HW-JCC60604CHQRW, or HW-J60604CHTLW. Do not use Base Part Numbers to order enclosures. Use only complete part numbers when ordering.



CONTROL SERIES NON-METALLIC ENCLOSURES NEMA TYPE 3R, HINGED WITH TWIST LATCH



HW-N3R242410CH

Industry Standards

- UL/cUL 50/508, Types 1, 3R
- CSA Standard C22.2 Types 1, 3R
- NEMA Standard 250 Types 1, 3R
- Temperature Range: -40°F to 250°F (-40°C to 120°C)
- Flammability Rating: UL94-5V
- Non-flame propagating



FEATURES-SPECIFICATIONS

Construction

- Hot compression molded fiberglass reinforced polyester
- Poured polyurethane seamless gasket provides watertight, dust-tight environmental seal
- 300 Series stainless steel used on all external hardware
- Panel mounting capability for fixed rear panel
- Bosses with threaded brass inserts accept 3/8 - 16 screws

- Integral mounting feet
- Rounded edges, minimal protrusions or exposed pocket areas for accumulation of dust or debris
- Rain shield protection against incidental water ingress
- Dust-tight, watertight, non-corrosive environmental design
- Twist lock latches for easy entry
- Built-in padlock hasp
- Non-conductive, impact resistant, UV resistant

- Smooth surface, no color variations, swirls or color pockets, no voids
- Color: Gray

Accessories

- See pages E77-E79

NEMA TYPE 3R CONTROL ENCLOSURES					
PART NUMBER	ENCLOSURE OVERALL SIZE HxWxD	ENCLOSURE INSIDE AxBxC	WT.	CARBON STEEL SUBPANEL	ALUMINUM SUBPANEL
HW-N3R242410CH	27.00 x 25.24 x 11.90 (686 x 641 x 302)	24.05 x 24.39 x 11.25 (611 x 619 x 286)	42 lbs.	HW-WM2424CS	HW-WM2424A
HW-N3R302008CH	32.86 x 20.99 x 9.89 (835 x 533 x 251)	29.90 x 20.14 x 9.23 (760 x 511 x 234)	36 lbs.	HW-WM3020CS	HW-WM3020A
HW-N3R302010CH	32.86 x 20.99 x 11.89 (835 x 533 x 302)	29.90 x 20.14 x 11.23 (760 x 511 x 285)	39 lbs.	HW-WM3020CS	HW-WM3020A
HW-N3R302410CH	33.41 x 26.32 x 11.95 (849 x 668 x 304)	30.46 x 25.47 x 11.27 (774 x 647 x 286)	50 lbs.	HW-WM3024CS	HW-WM3024A
HW-N3R302412CH	33.41 x 26.32 x 13.79 (849 x 668 x 350)	30.46 x 25.47 x 13.10 (774 x 647 x 333)	54 lbs.	HW-WM3024CS	HW-WM3024A
HW-N3R363008CH	39.31 x 32.50 x 10.05 (999 x 826 x 255)	36.31 x 31.69 x 9.36 (922 x 805 x 238)	75 lbs.	HW-WM3630CS	HW-WM3630A
HW-N3R363010CH	39.31 x 32.50 x 12.05 (999 x 826 x 306)	36.31 x 31.69 x 11.36 (922 x 805 x 289)	78 lbs.	HW-WM3630CS	HW-WM3630A
HW-N3R363012CH	39.31 x 32.50 x 14.05 (999 x 826 x 357)	36.31 x 31.69 x 13.36 (922 x 805 x 339)	81 lbs.	HW-WM3630CS	HW-WM3630A
HW-N3R483612CH	51.29 x 36.62 x 14.43 (1303 x 930 x 367)	48.33 x 36.22 x 13.25 (1228 x 920 x 336)	98 lbs.	HW-WM4836CS	HW-WM4836A
HW-N3R483616CH	51.29 x 36.62 x 18.43 (1303 x 930 x 468)	48.33 x 36.22 x 17.25 (1228 x 920 x 438)	108 lbs.	HW-WM4836CS	HW-WM4836A

Note: Subpanels must be ordered separately. Dimensions in inches (millimeters).

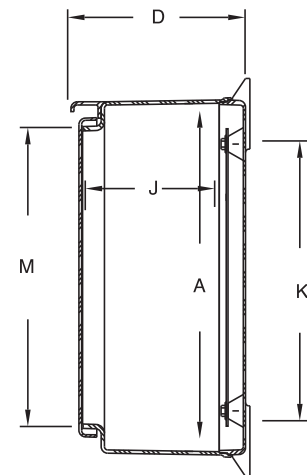
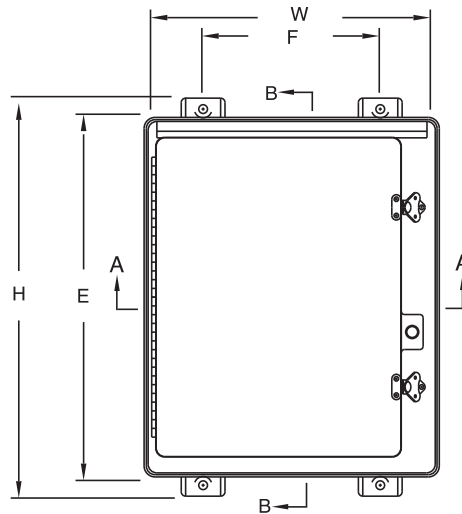
CONTROL SERIES NON-METALLIC ENCLOSURES NEMA TYPE 3R, HINGED WITH TWIST LATCH

E69

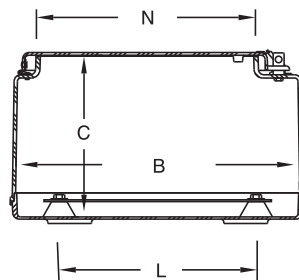
DIMENSIONS FOR NEMA TYPE 3R CONTROL ENCLOSURES							
PART NUMBER	ENCLOSURE OVERALL SIZE HxWxD	ENCLOSURE INSIDE AxBxC	MOUNTING ExF	J	K	L	ENCLOSURE OPENING MxN
HW-N3R242410CH	27.00 x 25.24 x 11.90 (686 x 641 x 302)	24.05 x 24.39 x 11.25 (611 x 619 x 286)	25.75 x 17.87 (654 x 454)	10.25 (260)	19.25 (489)	19.25 (489)	21.25 x 20.00 (540 x 508)
HW-N3R302008CH	32.86 x 20.99 x 9.89 (835 x 533 x 251)	29.90 x 20.14 x 9.23 (760 x 511 x 234)	31.75 x 14.25 (806 x 362)	8.23 (209)	25.25 (641)	15.25 (387)	27.00 x 16.50 (686 x 419)
HW-N3R302010CH	32.86 x 20.99 x 11.89 (835 x 533 x 302)	29.90 x 20.14 x 11.23 (760 x 511 x 285)	31.75 x 14.25 (806 x 362)	10.23 (260)	25.25 (641)	15.25 (387)	27.00 x 16.50 (686 x 419)
HW-N3R302410CH	33.41 x 26.32 x 11.95 (849 x 668 x 304)	30.46 x 25.47 x 11.27 (774 x 647 x 286)	32.25 x 18.50 (819 x 470)	10.27 (261)	25.25 (641)	19.25 (489)	27.38 x 21.25 (695 x 540)
HW-N3R302412CH	33.41 x 26.32 x 13.79 (849 x 668 x 350)	30.46 x 25.47 x 13.10 (774 x 647 x 333)	32.25 x 18.50 (819 x 470)	12.1 (307)	25.25 (641)	19.25 (489)	27.38 x 21.25 (695 x 540)
HW-N3R363008CH	39.31 x 32.50 x 10.05 (999 x 826 x 255)	36.31 x 31.69 x 9.36 (922 x 805 x 238)	38.13 x 23.88 (968 x 606)	8.36 (212)	31.25 (794)	25.25 (641)	33.25 x 27.25 (845 x 692)
HW-N3R363010CH	39.31 x 32.50 x 12.05 (999 x 826 x 306)	36.31 x 31.69 x 11.36 (922 x 805 x 289)	38.13 x 23.88 (968 x 606)	10.36 (263)	31.25 (794)	25.25 (641)	33.25 x 27.25 (845 x 692)
HW-N3R363012CH	39.31 x 32.50 x 14.05 (999 x 826 x 357)	36.31 x 31.69 x 13.36 (922 x 805 x 339)	38.13 x 23.88 (968 x 606)	12.36 (314)	31.25 (794)	25.25 (641)	33.25 x 27.25 (845 x 692)
HW-N3R483612CH	51.29 x 36.62 x 14.43 (1303 x 930 x 367)	48.33 x 36.22 x 13.25 (1228 x 920 x 336)	50.12 x 29.25 (1273 x 743)	12.25 (311)	43.25 (1099)	31.25 (794)	45.25 x 32.00 (1149 x 813)
HW-N3R483616CH	51.29 x 36.62 x 18.43 (1303 x 930 x 468)	48.33 x 36.22 x 17.25 (1228 x 920 x 438)	50.12 x 29.25 (1273 x 743)	16.25 (413)	43.25 (1099)	31.25 (794)	45.25 x 32.00 (1149 x 813)

Dimensions in inches (millimeters); letters in table correspond to letters on dimensional drawings. Mounting hole dimension is .50" (12.7mm).

NUMBER OF LATCHES	
PART NUMBER	NUMBER OF LATCHES
HW-N3R242410CH	2
HW-N3R302008CH	2
HW-N3R302010CH	2
HW-N3R302410CH	2
HW-N3R302412CH	2
HW-N3R363008CH	3
HW-N3R363010CH	3
HW-N3R363012CH	3
HW-N3R483612CH	3



Section B-B



Section A-A

CONTROL SERIES NON-METALLIC ENCLOSURES NEMA TYPE 4X, HINGED COVER WITH TWIST-LOCK LATCHES



HW-N4X242008CH

Industry Standards

- UL/cUL 50/508, Types 1, 3, 3R, 4X, 12
- CSA Standard C22.2 Types 1, 3, 3R, 4x, 12
- NEMA Standard 250 Types 1, 3, 3R, 4x, 12
- Temperature Range: -40°F to 250°F (-40°C to 120°C)
- Flammability Rating: UL94-5V
- Non-flame propagating



FEATURES-SPECIFICATIONS

Construction

- Hot compression molded fiberglass reinforced polyester
- Poured polyurethane seamless gasket provides watertight, dust-tight environmental seal
- 300 Series stainless steel used on all external hardware
- Panel mounting capability for fixed rear panel

- Bosses with threaded brass inserts accept 3/8 - 16 screws
- Integral mounting feet
- Rounded edges, minimal protrusions or exposed pocket areas for accumulation of dust or debris
- Dust-tight, watertight, non-corrosive environmental design
- Twist lock latches for easy entry
- Built-in padlock hasp

- Non-conductive, impact resistant, UV resistant
- Smooth surface, no color variations, swirls or color pockets, no voids
- Color: Gray

Accessories

- See pages E77-E79

NEMA 4X CONTROL ENCLOSURES WITH TWIST-LOCK LATCHES					
PART NUMBER	ENCLOSURE OVERALL SIZE HxWxD	ENCLOSURE INSIDE AxBxC	WT.	CARBON STEEL SUBPANEL	ALUMINUM SUBPANEL
HW-N4X161007CH*	18.75 x 10.96 x 9.03 (476 x 278 x 229)	15.92 x 10.27 x 8.53 (404 x 261 x 217)	12 lbs.	HW-WM1610CS	HW-WM1610A
HW-N4X201612CH	22.75 x 16.87 x 13.77 (578 x 429 x 350)	19.70 x 16.04 x 13.24 (500 x 407 x 336)	24 lbs.	HW-WM2016CS	HW-WM2016A
HW-N4X241206CH	26.95 x 13.72 x 7.98 (685 x 348 x 203)	24.00 x 12.87 x 7.33 (610 x 327 x 186)	21 lbs.	HW-WM2412CS	HW-WM2412A
HW-N4X241210CH	26.95 x 13.72 x 11.99 (685 x 348 x 304)	24.00 x 12.87 x 11.33 (610 x 327 x 288)	25 lbs.	HW-WM2412CS	HW-WM2412A
HW-N4X242008CH	27.00 x 21.24 x 9.90 (686 x 539 x 252)	24.05 x 20.39 x 9.25 (611 x 518 x 235)	32 lbs.	HW-WM2420CS	HW-WM2420A
HW-N4X242410CH	27.00 x 25.24 x 11.90 (686 x 641 x 302)	24.05 x 24.39 x 11.25 (611 x 619 x 286)	42 lbs.	HW-WM2424CS	HW-WM2424A
HW-N4X242412CH	27.00 x 25.24 x 13.90 (686 x 641 x 353)	24.05 x 24.39 x 13.25 (611 x 619 x 336)	43 lbs.	HW-WM2424CS	HW-WM2424A
HW-N4X302006CH	32.86 x 20.99 x 7.89 (835 x 533 x 200)	29.90 x 20.14 x 7.23 (760 x 511 x 184)	34 lbs.	HW-WM3020CS	HW-WM3020A
HW-N4X302008CH	32.86 x 20.99 x 9.89 (835 x 533 x 251)	29.90 x 20.14 x 9.23 (760 x 511 x 234)	36 lbs.	HW-WM3020CS	HW-WM3020A
HW-N4X302010CH	32.86 x 20.99 x 11.89 (835 x 533 x 302)	29.90 x 20.14 x 11.23 (760 x 511 x 285)	39 lbs.	HW-WM3020CS	HW-WM3020A
HW-N4X302012CH	32.86 x 20.99 x 13.89 (835 x 533 x 353)	29.90 x 20.14 x 13.23 (760 x 511 x 336)	48 lbs.	HW-WM3020CS	HW-WM3020A
HW-N4X302408CH	33.41 x 26.32 x 8.81 (849 x 668 x 224)	30.46 x 25.47 x 8.12 (774 x 647 x 206)	45 lbs.	HW-WM3024CS	HW-WM3024A
HW-N4X302410CH	33.41 x 26.32 x 11.95 (849 x 668 x 304)	30.46 x 25.47 x 11.27 (774 x 647 x 286)	50 lbs.	HW-WM3024CS	HW-WM3024A
HW-N4X302412CH	33.41 x 26.32 x 13.79 (849 x 668 x 350)	30.46 x 25.47 x 13.10 (774 x 647 x 333)	54 lbs.	HW-WM3024CS	HW-WM3024A
HW-N4X363008CH	39.31 x 32.50 x 10.05 (999 x 826 x 255)	36.31 x 31.69 x 9.36 (922 x 805 x 238)	75 lbs.	HW-WM3630CS	HW-WM3630A
HW-N4X363010CH	39.31 x 32.50 x 12.05 (999 x 826 x 306)	36.31 x 31.69 x 11.36 (922 x 805 x 289)	78 lbs.	HW-WM3630CS	HW-WM3630A
HW-N4X363012CH	39.31 x 32.50 x 14.05 (999 x 826 x 357)	36.31 x 31.69 x 13.36 (922 x 805 x 339)	81 lbs.	HW-WM3630CS	HW-WM3630A

Note: Subpanels must be ordered separately. Dimensions in inches (millimeters).

* No Hasp provided.

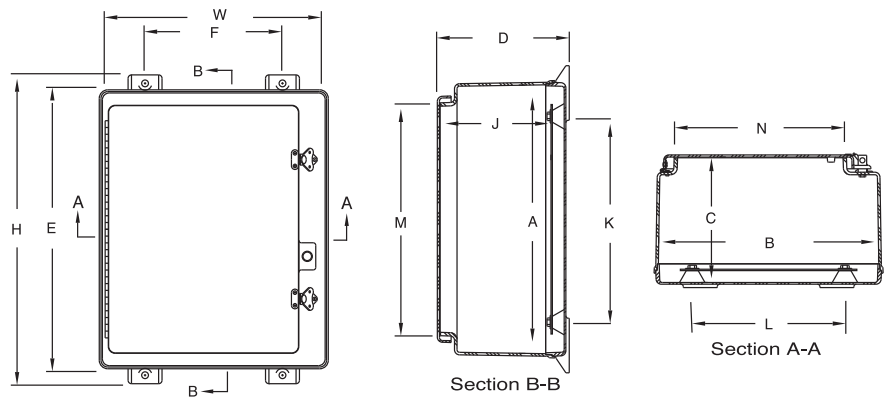
CONTROL SERIES NON-METALLIC ENCLOSURES NEMA TYPE 4X, HINGED COVER WITH TWIST-LOCK LATCHES

E71

DIMENSIONS FOR NEMA 4X CONTROL ENCLOSURES WITH TWIST-LOCK LATCHES							
PART NUMBER	ENCLOSURE OVERALL SIZE HxWxD	ENCLOSURE INSIDE AxBxC	MOUNTING ExF	J	K	L	ENCLOSURE OPENING MxN
HW-N4X161007CH	18.75 x 10.96 x 9.03 (476 x 278 x 229)	15.92 x 10.27 x 8.53 (404 x 261 x 217)	17.50 x 7.00 (444 x 178)	7.8 (198)	12 (305)	7.5 (191)	13.14 x 6.00 (334 x 152)
HW-N4X201612CH	22.75 x 16.87 x 13.77 (578 x 429 x 350)	19.70 x 16.04 x 13.24 (500 x 407 x 336)	21.50 x 10.12 (546 x 257)	12.26 (312)	15.25 (387)	11.25 (286)	16.75 x 12.19 (425 x 310)
HW-N4X241206CH	26.95 x 13.72 x 7.98 (685 x 348 x 203)	24.00 x 12.87 x 7.33 (610 x 327 x 186)	25.75 x 6.25 (654 x 159)	6.33 (161)	19.25 (489)	7.25 (184)	21.00 x 8.37 (533 x 213)
HW-N4X241210CH	26.95 x 13.72 x 11.99 (685 x 348 x 304)	24.00 x 12.87 x 11.33 (610 x 327 x 288)	25.75 x 6.25 (654 x 159)	10.33 (262)	19.25 (489)	7.25 (184)	21.00 x 8.37 (533 x 213)
HW-N4X242008CH	27.00 x 21.24 x 9.90 (686 x 539 x 252)	24.05 x 20.39 x 9.25 (611 x 518 x 235)	25.75 x 14.00 (654 x 356)	8.25 (209)	19.25 (489)	15.25 (387)	21.25 x 16.00 (540 x 406)
HW-N4X242410CH	27.00 x 25.24 x 11.90 (686 x 641 x 302)	24.05 x 24.39 x 11.25 (611 x 619 x 286)	25.75 x 17.87 (654 x 454)	10.25 (260)	19.25 (489)	19.25 (489)	21.25 x 20.00 (540 x 508)
HW-N4X242412CH	27.00 x 25.24 x 13.90 (686 x 641 x 353)	24.05 x 24.39 x 13.25 (611 x 619 x 336)	25.75 x 17.87 (654 x 454)	12.25 (311)	19.25 (489)	19.25 (489)	21.25 x 20.00 (540 x 508)
HW-N4X302006CH	32.86 x 20.99 x 7.89 (835 x 533 x 200)	29.90 x 20.14 x 7.23 (760 x 511 x 184)	30.75 x 14.25 (806 x 362)	6.23 (158)	25.25 (641)	15.25 (387)	27.00 x 16.50 (686 x 419)
HW-N4X302008CH	32.86 x 20.99 x 9.89 (835 x 533 x 251)	29.90 x 20.14 x 9.23 (760 x 511 x 234)	31.75 x 14.25 (806 x 362)	8.23 (209)	25.25 (641)	15.25 (387)	27.00 x 16.50 (686 x 419)
HW-N4X302010CH	32.86 x 20.99 x 11.89 (835 x 533 x 302)	29.90 x 20.14 x 11.23 (760 x 511 x 285)	31.75 x 14.25 (806 x 362)	10.23 (260)	25.25 (641)	15.25 (387)	27.00 x 16.50 (686 x 419)
HW-N4X302012CH	32.86 x 20.99 x 13.89 (835 x 533 x 353)	29.90 x 20.14 x 13.23 (760 x 511 x 336)	31.75 x 14.25 (806 x 362)	12.23 (311)	25.25 (641)	15.25 (387)	27.00 x 16.50 (686 x 419)
HW-N4X302408CH	33.41 x 26.32 x 8.81 (849 x 668 x 224)	30.46 x 25.47 x 8.12 (774 x 647 x 206)	32.25 x 18.50 (819 x 470)	7.12 (181)	25.25 (641)	19.25 (489)	27.38 x 21.25 (695 x 540)
HW-N4X302410CH	33.41 x 26.32 x 11.95 (849 x 668 x 304)	30.46 x 25.47 x 11.27 (774 x 647 x 286)	32.25 x 18.50 (819 x 470)	10.27 (261)	25.25 (641)	19.25 (489)	27.38 x 21.25 (695 x 540)
HW-N4X302412CH	33.41 x 26.32 x 13.79 (849 x 668 x 350)	30.46 x 25.47 x 13.10 (774 x 647 x 333)	32.25 x 18.50 (819 x 470)	12.1 (307)	25.25 (641)	19.25 (489)	27.38 x 21.25 (695 x 540)
HW-N4X363008CH	39.31 x 32.50 x 10.05 (999 x 826 x 255)	36.31 x 31.69 x 9.36 (922 x 805 x 238)	38.13 x 23.88 (968 x 606)	8.36 (212)	31.25 (794)	25.25 (641)	33.25 x 27.25 (845 x 692)
HW-N4X363010CH	39.31 x 32.50 x 12.05 (999 x 826 x 306)	36.31 x 31.69 x 11.36 (922 x 805 x 289)	38.13 x 23.88 (968 x 606)	10.36 (263)	31.25 (794)	25.25 (641)	33.25 x 27.25 (845 x 692)
HW-N4X363012CH	39.31 x 32.50 x 14.05 (999 x 826 x 357)	36.31 x 31.69 x 13.36 (922 x 805 x 339)	38.13 x 23.88 (968 x 606)	12.36 (314)	31.25 (794)	25.25 (641)	33.25 x 27.25 (845 x 692)

Note: Subpanels must be ordered separately. Dimensions in inches (millimeters); letters in table correspond to letters on dimensional drawings.

NUMBER OF LATCHES	
BASE PART NUMBER	NUMBER OF LATCHES
HW-N4X1610	2
HW-N4X2016	2
HW-N4X2412	2
HW-N4X2420	4
HW-N4X2424	4
HW-N4X3020	5
HW-N4X3024	5
HW-N4X3630	5



CONTROL SERIES NON-METALLIC ENCLOSURES NEMA TYPE 4X, SINGLE HINGED DOOR WITH TWIST LATCHES



Industry Standards

- UL/cUL 50/508, Types 1, 3R
- CSA Standard C22.2 Types 1, 3R
- NEMA Standard 250 Types 1, 3R
- Temperature Range: -40°F to 250°F (-40°C to 120°C)
- Flammability Rating: UL94-5V
- Non-flame propagating

 UL File E64791

 CSA File 222873

FEATURES-SPECIFICATIONS

Construction

- Hot compression molded fiberglass reinforced polyester, hand layup FRP
- Poured polyurethane seamless gasket provides watertight, dust-tight environmental seal
- 300 Series stainless steel used on all external hardware
- Panel mounting capability for fixed rear panel
- Bosses with threaded brass inserts accept 10-32 screws
- Integral mounting feet

- Rounded edges, minimal protrusions or exposed pocket areas for accumulation of dust or debris
- Dust-tight, watertight, non-corrosive environmental design
- Twist lock latches for easy entry
- Built-in padlock hasp
- Non-conductive, impact resistant, UV resistant
- Smooth surface, no color variations, swirls or color pockets, no voids
- Color: Gray

Accessories

- See pages E77-E79

NEMA 4X CONTROL ENCLOSURE, SINGLE HINGED DOOR WITH TWIST LATCHES					
PART NUMBER	ENCLOSURE OVERALL SIZE HxWxD	ENCLOSURE INSIDE AxBxC	WT.	CARBON STEEL SUBPANEL	ALUMINUM SUBPANEL
HW-N4X483612CH	51.29 x 36.62 x 13.93 (1303 x 930 x 354)	48.33 x 36.22 x 13.25 (1228 x 920 x 336)	98 lbs	HW-WM4836CS	HW-WM4836A
HW-N4X483616CH	51.29 x 36.62 x 17.93 (1303 x 930 x 456)	48.33 x 36.22 x 17.25 (1228 x 920 x 438)	108 lbs	HW-WM4836CS	HW-WM4836A
HW-N4X603612CH	63.50 x 36.50 x 14.12 (1613 x 927 x 359)	60.13 x 36.13 x 13.44 (1527 x 918 x 341)	145 lbs	HW-WM6036CS	HW-WM6036A
HW-N4X603616CH	63.50 x 36.50 x 18.12 (1613 x 927 x 460)	60.13 x 36.13 x 17.44 (1527 x 918 x 443)	155 lbs	HW-WM6036CS	HW-WM6036A

Note: Subpanels must be ordered separately. Dimensions in inches (millimeters).

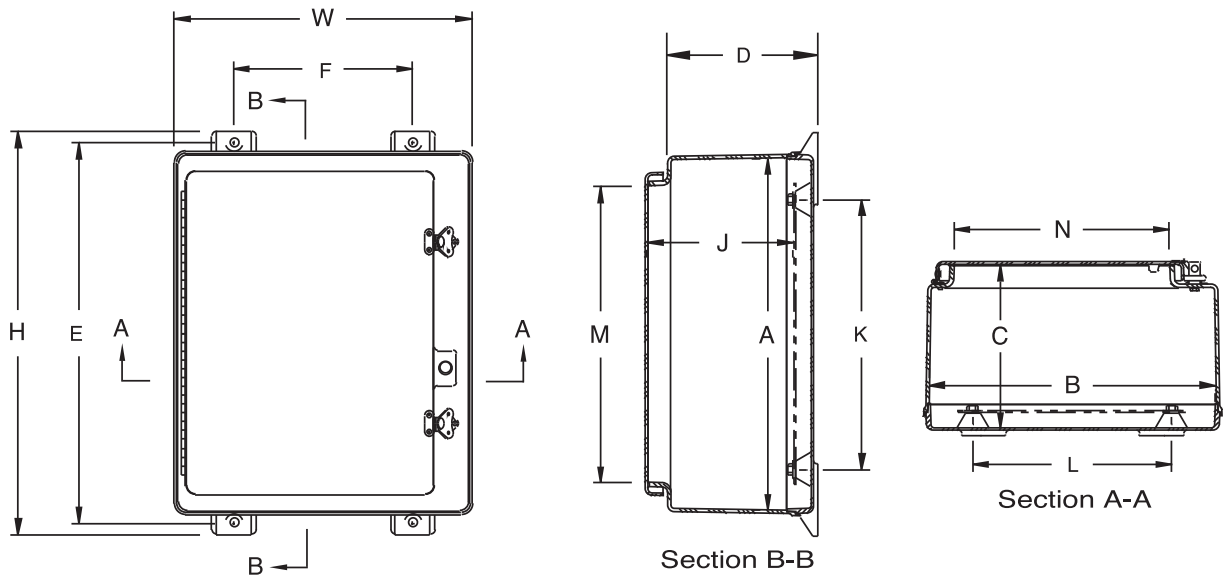
**CONTROL SERIES NON-METALLIC ENCLOSURES
NEMA TYPE 4X, SINGLE HINGED DOOR WITH TWIST LATCHES**

E73

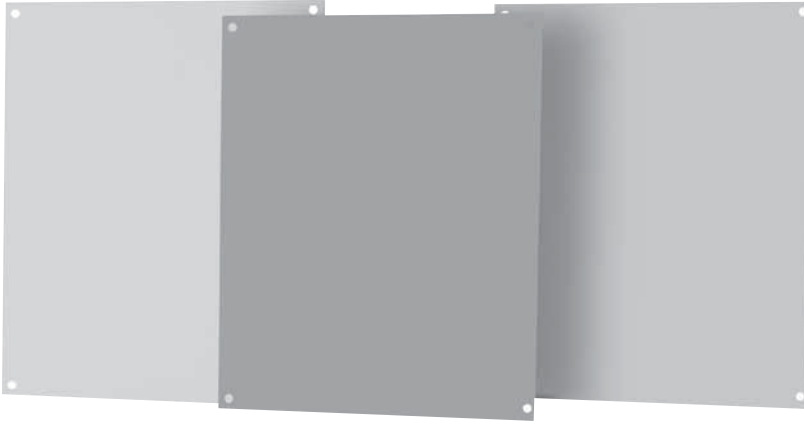


DIMENSIONS FOR NEMA 4X CONTROL ENCLOSURE, SINGLE HINGED DOOR WITH TWIST LATCHES							
PART NUMBER	ENCLOSURE OVERALL SIZE HxWxD	ENCLOSURE INSIDE AxBxC	MOUNTING ExF	J	K	L	ENCLOSURE OPENING MxN
HW-N4X483612CH	51.29 x 36.62 x 13.93 (1303 x 930 x 354)	48.33 x 36.22 x 13.25 (1228 x 920 x 336)	50.12 x 29.25 (1273 x 743)	12.25 (311)	43.25 (1099)	31.25 (794)	45.25 x 32.00 (1149 x 813)
HW-N4X483616CH	51.29 x 36.62 x 17.93 (1303 x 930 x 456)	48.33 x 36.22 x 17.25 (1228 x 920 x 438)	50.12 x 29.25 (1273 x 743)	16.25 (413)	43.25 (1099)	31.25 (794)	45.25 x 32.00 (1149 x 813)
HW-N4X603612CH	63.50 x 36.50 x 14.12 (1613 x 927 x 359)	60.13 x 36.13 x 13.44 (1527 x 918 x 341)	62.25 x 28.50 (1581 x 724)	12.44 (316)	53.06 (1348)	31.55 (787)	55.75 x 32.00 (1416 x 813)
HW-N4X603616CH	63.50 x 36.50 x 18.12 (1613 x 927 x 460)	60.13 x 36.13 x 17.44 (1527 x 918 x 443)	62.25 x 28.50 (1581 x 724)	16.44 (418)	53.06 (1348)	31.55 (787)	55.75 x 32.00 (1416 x 813)

Dimensions in inches (millimeters).



SUBPANELS NON-METALLIC ENCLOSURES
SUBPANELS FOR ALL PREMIER AND JIC NON-METALLIC ENCLOSURES



SUBPANEL SPECIFICATIONS		
SUBPANEL	MATERIAL	FINISH
Carbon Steel	Carbon Steel	White polyester powder Finish
Aluminum	3003H14 Aluminum	Mill Finish
Stainless Steel	304 Stainless	304 ANN 2 B Finish
Fiberglass	FRP (Fiberglass reinforced panel)	Gray Finish



CARBON STEEL SUBPANELS FOR ALL PREMIER AND JIC NON-METALLIC ENCLOSURES

SUBPANEL PART NUMBER	SUBPANEL SIZE HxW	ENCLOSURE SIZE HxW	BA	BB	BK	BL	BT	PANEL TYPE	NUMBER OF HOLES	HOLE DIAMETER	WT.
HW-MP604CS	4.88 x 2.88 (124 x 73)	6 x 4 (152 x 102)	4.88 (124)	2.88 (73)	4.25 (108)	2.25 (57)	0.08 (2)	FLAT	4	.25 (6.35)	5 oz.
HW-MP606CS	4.88 x 4.88 (124 x 124)	6 x 6 (152 x 152)	4.88 (124)	4.88 (124)	4.25 (108)	4.25 (108)	0.08 (2)	FLAT	4	.25 (6.35)	8 oz.
HW-MP706CS	6.00 x 4.88 (152 x 124)	7 x 6 (179 x 152)	6.00 (152)	4.88 (124)	5.38 (137)	4.25 (108)	0.08 (2)	FLAT	4	.25 (6.35)	10 oz.
HW-MP806CS	6.75 x 4.88 (152 x 124)	8 x 6 (203 x 152)	6.75 (152)	4.88 (124)	6.25 (159)	4.25 (108)	0.08 (2)	FLAT	4	.25 (6.35)	12 oz.
HW-MP808CS	6.88 x 6.88 (175 x 175)	8 x 8 (203 x 203)	6.88 (175)	6.88 (175)	6.25 (159)	6.25 (159)	0.08 (2)	FLAT	4	.25 (6.35)	12 oz.
HW-MP906CS	8.25 x 4.88 (175 x 124)	9 x 6 (229 x 152)	8.25 (210)	4.88 (124)	7.63 (194)	4.25 (108)	0.08 (2)	FLAT	4	.25 (6.35)	14 oz.
HW-MP1008CS	8.75 x 6.88 (225 x 175)	10 x 8 (254 x 203)	8.75 (225)	6.88 (175)	8.25 (210)	6.25 (159)	0.08 (2)	FLAT	4	.25 (6.35)	21 oz.
HW-MP1210CS	10.88 x 8.75 (276 x 225)	12 x 10 (305 x 254)	10.88 (276)	8.75 (225)	10.25 (260)	8.25 (210)	0.08 (2)	FLAT	4	.25 (6.35)	34 oz.
HW-MP1412CS	12.88 x 10.88 (327 x 276)	14 x 12 (356 x 305)	12.88 (327)	10.88 (276)	12.25 (311)	10.25 (260)	0.08 (2)	FLAT	4	.25 (6.35)	48 oz.
HW-MP1614CS	14.88 x 12.88 (378 x 327)	16 x 14 (406 x 356)	14.88 (378)	12.88 (327)	14.25 (362)	12.25 (311)	0.08 (2)	FLAT	4	.25 (6.35)	66 oz.
HW-MP1816CS	16.88 x 14.88 (429 x 378)	18 x 16 (457 x 406)	16.88 (429)	14.88 (378)	16.25 (413)	14.25 (362)	0.08 (2)	FLAT	4	.25 (6.35)	87 oz.
HW-MP2016CS	18.88 x 14.88 (479 x 378)	20 x 16 (508 x 406)	18.88 (479)	14.88 (378)	18.25 (464)	14.25 (362)	0.08 (2)	FLAT	4	.25 (6.35)	97 oz.

Note: Subpanels must be ordered separately. Dimensions in inches (millimeters).

FIBERGLASS SUBPANELS FOR ALL PREMIER AND JIC NON-METALLIC ENCLOSURES

SUBPANEL PART NUMBER	SUBPANEL SIZE HxW	ENCLOSURE SIZE HxW	BA	BB	BK	BL	BT	PANEL TYPE	NUMBER OF HOLES	HOLE DIAMETER	WT.
HW-MP604FG	4.88 x 2.88 (124 x 73)	6 x 4 (152 x 102)	4.88 (124)	2.88 (73)	4.25 (108)	2.25 (57)	0.08 (2)	FLAT	4	.25 (6.35)	2 oz.
HW-MP606FG	4.88 x 4.88 (124 x 124)	6 x 6 (152 x 152)	4.88 (124)	4.88 (124)	4.25 (108)	4.25 (108)	0.08 (2)	FLAT	4	.25 (6.35)	3 oz.
HW-MP806FG	6.75 x 4.88 (152 x 124)	8 x 6 (203 x 152)	6.75 (152)	4.88 (124)	6.25 (159)	4.25 (108)	0.08 (2)	FLAT	4	.25 (6.35)	4 oz.
HW-MP808FG	6.88 x 6.88 (175 x 175)	8 x 8 (203 x 203)	6.88 (175)	6.88 (175)	6.25 (159)	6.25 (159)	0.08 (2)	FLAT	4	.25 (6.35)	5 oz.
HW-MP1008FG	8.75 x 6.88 (225 x 175)	10 x 8 (254 x 203)	8.75 (225)	6.88 (175)	8.25 (210)	6.25 (159)	0.08 (2)	FLAT	4	.25 (6.35)	8 oz.
HW-MP1210FG	10.88 x 8.75 (276 x 225)	12 x 10 (305 x 254)	10.88 (276)	8.75 (225)	10.25 (260)	8.25 (210)	0.08 (2)	FLAT	4	.25 (6.35)	14 oz.
HW-MP1412FG	12.88 x 10.88 (327 x 276)	14 x 12 (356 x 305)	12.88 (327)	10.88 (276)	12.25 (311)	10.25 (260)	0.08 (2)	FLAT	4	.25 (6.35)	16 oz.
HW-MP1614FG	14.88 x 12.88 (378 x 327)	16 x 14 (406 x 356)	14.88 (378)	12.88 (327)	14.25 (362)	12.25 (311)	0.08 (2)	FLAT	4	.25 (6.35)	13 oz.
HW-MP1816FG	16.88 x 14.88 (429 x 378)	18 x 16 (457 x 406)	16.88 (429)	14.88 (378)	16.25 (413)	14.25 (362)	0.08 (2)	FLAT	4	.25 (6.35)	32 oz.
HW-MP2016GF	18.88 x 14.88 (479 x 378)	20 x 16 (508 x 406)	18.88 (479)	14.88 (378)	18.25 (464)	14.25 (362)	0.08 (2)	FLAT	4	.25 (6.35)	36 oz.

Note: Subpanels must be ordered separately. Dimensions in inches (millimeters).

NON-METALLIC ENCLOSURES SUBPANELS FOR ALL PREMIER AND JIC NON-METALLIC ENCLOSURES

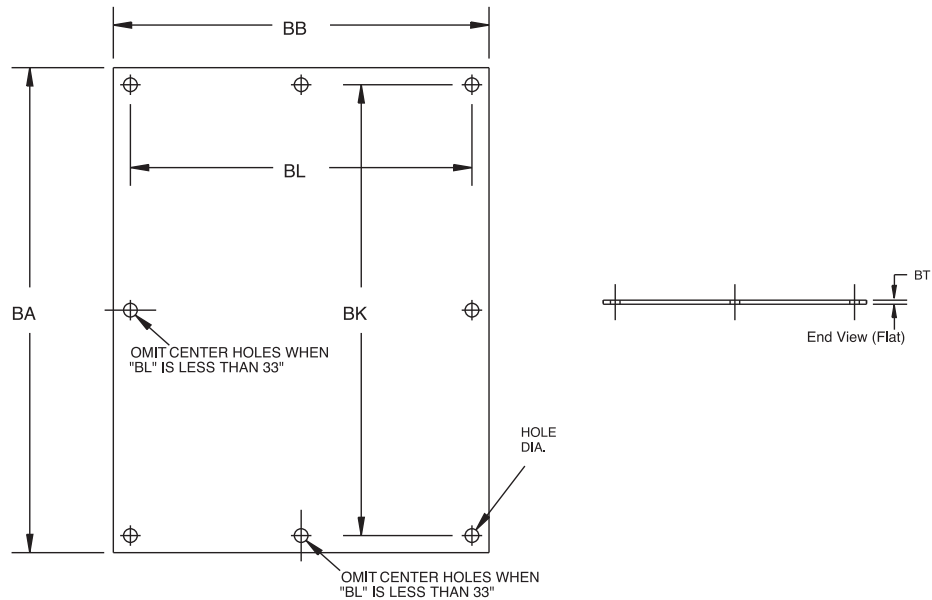
E75

STAINLESS STEEL SUBPANELS FOR ALL PREMIER AND JIC NON-METALLIC ENCLOSURES											
SUBPANEL PART NUMBER	SUBPANEL SIZE HxW	ENCLOSURE SIZE HxW	BA	BB	BK	BL	BT	PANEL TYPE	NUMBER OF HOLES	HOLE DIAMETER	WT.
HW-MP604SS	4.88 x 2.88 (124 x 73)	6 x 4 (152 x 102)	4.88 (124)	2.88 (73)	4.25 (108)	2.25 (57)	0.08 (2)	FLAT	4	.25 (6.35)	5 oz.
HW-MP606SS	4.88 x 4.88 (124 x 124)	6 x 6 (152 x 152)	4.88 (124)	4.88 (124)	4.25 (108)	4.25 (108)	0.08 (2)	FLAT	4	.25 (6.35)	8 oz.
HW-MP806SS	6.75 x 4.88 (152 x 124)	8 x 6 (203 x 152)	6.75 (152)	4.88 (124)	6.25 (159)	4.25 (108)	0.08 (2)	FLAT	4	.25 (6.35)	12 oz.
HW-MP808SS	6.88 x 6.88 (175 x 175)	8 x 8 (203 x 203)	6.88 (175)	6.88 (175)	6.25 (159)	6.25 (159)	0.08 (2)	FLAT	4	.25 (6.35)	12 oz.
HW-MP1008SS	8.75 x 6.88 (225 x 175)	10 x 8 (254 x 203)	8.75 (225)	6.88 (175)	8.25 (210)	6.25 (159)	0.08 (2)	FLAT	4	.25 (6.35)	19 oz.
HW-MP1210SS	10.88 x 8.75 (276 x 225)	12 x 10 (305 x 254)	10.88 (276)	8.75 (225)	10.25 (260)	8.25 (210)	0.08 (2)	FLAT	4	.25 (6.35)	30 oz.
HW-MP1412SS	12.88 x 10.88 (327 x 276)	14 x 12 (356 x 305)	12.88 (327)	10.88 (276)	12.25 (311)	10.25 (260)	0.08 (2)	FLAT	4	.25 (6.35)	45 oz.
HW-MP1614SS	14.88 x 12.88 (378 x 327)	16 x 14 (406 x 356)	14.88 (378)	12.88 (327)	14.25 (362)	12.25 (311)	0.08 (2)	FLAT	4	.25 (6.35)	60 oz.
HW-MP1816SS	16.88 x 14.88 (429 x 378)	18 x 16 (457 x 406)	16.88 (429)	14.88 (378)	16.25 (413)	14.25 (362)	0.08 (2)	FLAT	4	.25 (6.35)	96 oz.
HW-MP2016SS	18.88 x 14.88 (479 x 378)	20 x 16 (508 x 406)	18.88 (479)	14.88 (378)	18.25 (464)	14.25 (362)	0.08 (2)	FLAT	4	.25 (6.35)	97 oz.

Note: Subpanels must be ordered separately. Dimensions in inches (millimeters).

ALUMINUM SUBPANELS FOR ALL PREMIER AND JIC NON-METALLIC ENCLOSURES											
SUBPANEL PART NUMBER	SUBPANEL SIZE HxW	ENCLOSURE SIZE HxW	BA	BB	BK	BL	BT	PANEL TYPE	NUMBER OF HOLES	HOLE DIAMETER	WT.
HW-MP604A	4.88 x 2.88 (124 x 73)	6 x 4 (152 x 102)	4.88 (124)	2.88 (73)	4.25 (108)	2.25 (57)	0.08 (2)	FLAT	4	.25 (6.35)	2 oz.
HW-MP606A	4.88 x 4.88 (124 x 124)	6 x 6 (152 x 152)	4.88 (124)	4.88 (124)	4.25 (108)	4.25 (108)	0.08 (2)	FLAT	4	.25 (6.35)	3 oz.
HW-MP806A	6.75 x 4.88 (152 x 124)	8 x 6 (203 x 152)	6.75 (152)	4.88 (124)	6.25 (159)	4.25 (108)	0.08 (2)	FLAT	4	.25 (6.35)	4 oz.
HW-MP808A	6.88 x 6.88 (175 x 175)	8 x 8 (203 x 203)	6.88 (175)	6.88 (175)	6.25 (159)	6.25 (159)	0.08 (2)	FLAT	4	.25 (6.35)	4 oz.
HW-MP1008A	8.75 x 6.88 (225 x 175)	10 x 8 (254 x 203)	8.75 (225)	6.88 (175)	8.25 (210)	6.25 (159)	0.08 (2)	FLAT	4	.25 (6.35)	8 oz.
HW-MP1210A	10.88 x 8.75 (276 x 225)	12 x 10 (305 x 254)	10.88 (276)	8.75 (225)	10.25 (260)	8.25 (210)	0.08 (2)	FLAT	4	.25 (6.35)	12 oz.
HW-MP1412A	12.88 x 10.88 (327 x 276)	14 x 12 (356 x 305)	12.88 (327)	10.88 (276)	12.25 (311)	10.25 (260)	0.08 (2)	FLAT	4	.25 (6.35)	18 oz.
HW-MP1614A	14.88 x 12.88 (378 x 327)	16 x 14 (406 x 356)	14.88 (378)	12.88 (327)	14.25 (362)	12.25 (311)	0.08 (2)	FLAT	4	.25 (6.35)	24 oz.
HW-MP1816A	16.88 x 14.88 (429 x 378)	18 x 16 (457 x 406)	16.88 (429)	14.88 (378)	16.25 (413)	14.25 (362)	0.08 (2)	FLAT	4	.25 (6.35)	40 oz.
HW-MP2016A	18.88 x 14.88 (479 x 378)	20 x 16 (508 x 406)	18.88 (479)	14.88 (378)	18.25 (464)	14.25 (362)	0.08 (2)	FLAT	4	.25 (6.35)	39 oz.

Note: Subpanels must be ordered separately. Dimensions in inches (millimeters).



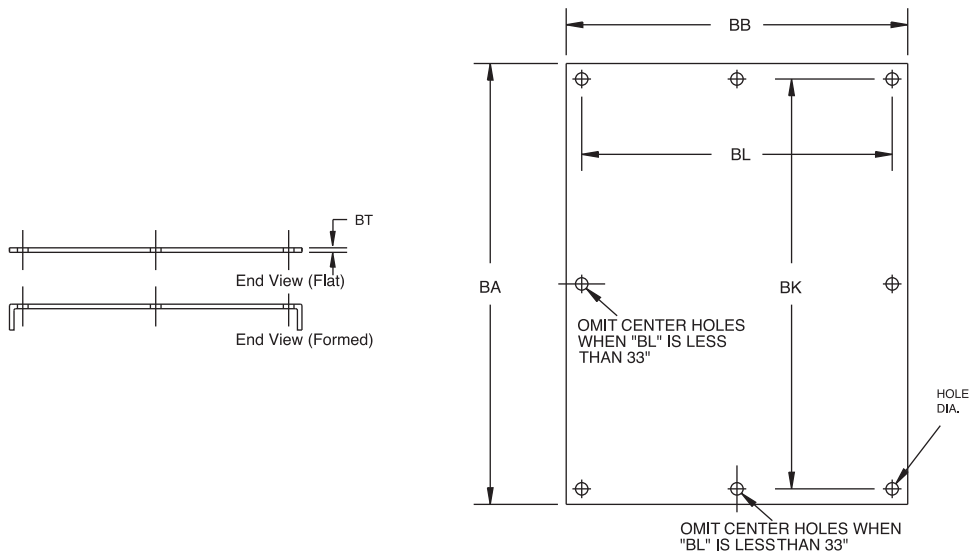
CONTROL SERIES SUBPANELS NON-METALLIC ENCLOSURES
SUBPANELS FOR CONTROL SERIES NON-METALLIC ENCLOSURES

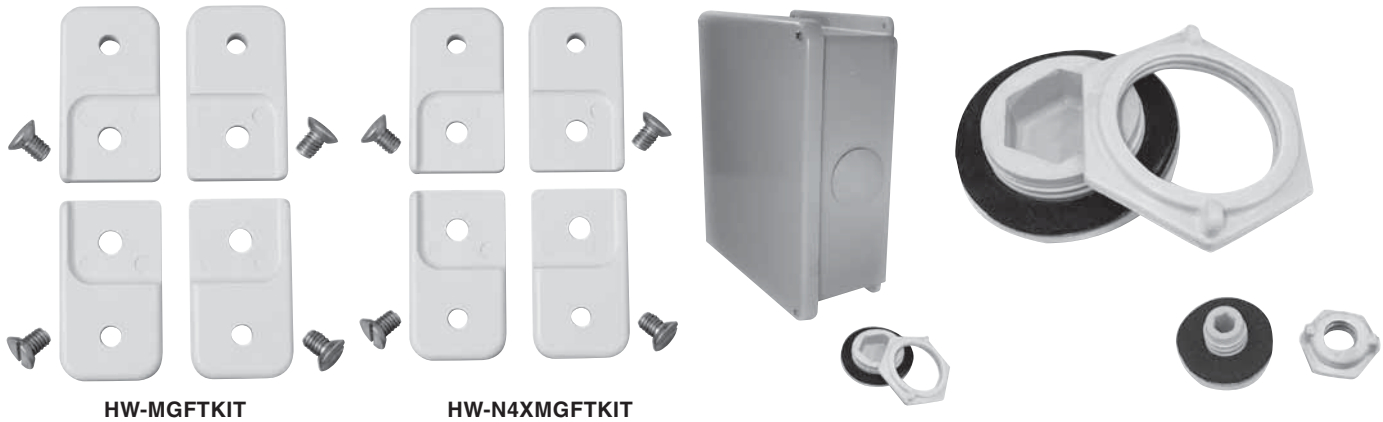
CARBON STEEL SUBPANELS FOR CONTROL SERIES NON-METALLIC ENCLOSURES											
SUBPANEL PART NUMBER	SUBPANEL SIZE HxW	ENCLOSURE SIZE HxW	BA	BB	BK	BL	BT	PANEL TYPE	NUMBER OF HOLES	HOLE DIAMETER	WT.
HW-WM1610CS	13.00 x 8.50 (330 x 216)	16 x 10 (406 x 54)	13.00 (330)	8.50 (216)	12.00 (305)	7.50 (191)	0.08 (2)	Flat	4	0.31 (8)	3.3 lbs.
HW-WM2016CS	17.00 x 13.00 (432 x 330)	20 x 16 (508 x 406)	17.00 (432)	13.00 (330)	15.25 (387)	11.25 (286)	0.09 (2)	Formed	4	0.31 (8)	6.7 lbs.
HW-WM2412CS	21.00 x 9.00 (533 x 229)	24 x 12 (610 x 305)	21.00 (533)	9.00 (229)	19.25 (489)	7.25 (184)	0.09 (2)	Formed	4	0.50 (13)	8.7 lbs.
HW-WM2420CS	21.00 x 17.00 (533 x 432)	24 x 20 (610 x 508)	21.00 (533)	17.00 (432)	19.25 (489)	15.25 (387)	0.13 (3)	Formed	4	0.50 (13)	10.8 lbs.
HW-WM2424CS	21.00 x 21.00 (533 x 533)	24 x 24 (610 x 610)	21.00 (533)	21.00 (533)	19.25 (489)	19.25 (489)	0.13 (3)	Formed	4	0.50 (13)	13.4 lbs.
HW-WM3020CS	27.00 x 17.00 (686 x 432)	30 x 20 (763 x 508)	27.00 (686)	17.00 (432)	25.25 (641)	15.25 (387)	0.13 (3)	Formed	5	0.50 (13)	14 lbs.
HW-WM3024CS	27.00 x 21.00 (686 x 533)	30 x 24 (762 x 610)	27.00 (686)	21.00 (533)	25.25 (641)	19.25 (489)	0.13 (3)	Flat	4	0.50 (13)	17 lbs.
HW-WM3630CS	33.00 x 27.00 (838 x 686)	36 x 30 (914 x 762)	33.00 (838)	27.00 (686)	31.25 (794)	25.25 (641)	0.13 (3)	Flat	4	0.50 (13)	27 lbs.
HW-WM4836CS	45.00 x 33.00 (1143 x 838)	48 x 36 (1219 x 914)	45.00 (1143)	33.00 (838)	43.00 (1092)	31.25 (794)	0.13 (3)	Flat	8	0.50 (13)	41 lbs.
HW-WM6036CS	57.00 x 33.00 (1448 x 838)	60 x 36 (1524 x 914)	57.00 (1448)	33.00 (838)	55.25 (1403)	31.25 (794)	0.13 (3)	Flat	8	0.50 (13)	60 lbs.

Note: Subpanels must be ordered separately. Dimensions in inches (millimeters).

ALUMINUM SUBPANELS FOR CONTROL SERIES NON-METALLIC ENCLOSURES											
SUBPANEL PART NUMBER	SUBPANEL SIZE HxW	ENCLOSURE SIZE HxW	BA	BB	BK	BL	BT	PANEL TYPE	NUMBER OF HOLES	HOLE DIAMETER	WT.
HW-WM1610A	13.00 x 8.50 (330 x 216)	16 x 10 (406 x 54)	13.00 (330)	8.50 (216)	12.00 (305)	7.50 (191)	0.08 (2)	Flat	4	0.31 (8)	1 lb.
HW-WM2016A	17.00 x 13.00 (432 x 330)	20 x 16 (508 x 406)	17.00 (432)	13.00 (330)	15.25 (387)	11.25 (286)	0.09 (2)	Formed	4	0.31 (8)	2 lbs.
HW-WM2412A	21.00 x 9.00 (533 x 229)	24 x 12 (610 x 305)	21.00 (533)	9.00 (229)	19.25 (489)	7.25 (184)	0.09 (2)	Formed	4	0.50 (13)	4.5 lbs.
HW-WM2420A	21.00 x 17.00 (533 x 432)	24 x 20 (610 x 508)	21.00 (533)	17.00 (432)	19.25 (489)	15.25 (387)	0.13 (3)	Formed	4	0.50 (13)	4.5 lbs.
HW-WM2424A	21.00 x 21.00 (533 x 533)	24 x 24 (610 x 610)	21.00 (533)	21.00 (533)	19.25 (489)	19.25 (489)	0.13 (3)	Formed	4	0.50 (13)	5.5 lbs.
HW-WM3020A	27.00 x 17.00 (686 x 432)	30 x 20 (763 x 508)	27.00 (686)	17.00 (432)	25.25 (641)	15.25 (387)	0.13 (3)	Formed	5	0.50 (13)	5.8 lbs.
HW-WM3024A	27.00 x 21.00 (686 x 533)	30 x 24 (762 x 610)	27.00 (686)	21.00 (533)	25.25 (641)	19.25 (489)	0.13 (3)	Flat	4	0.50 (13)	7 lbs.
HW-WM3630A	33.00 x 27.00 (838 x 686)	36 x 30 (914 x 762)	33.00 (838)	27.00 (686)	31.25 (794)	25.25 (641)	0.13 (3)	Flat	4	0.50 (13)	11 lbs.
HW-WM4836A	31.00 x 22.00 (787 x 559)	36 x 48 (914 x 1219)	31.00 (787)	22.00 (559)	29.00 (737)	20.00 (508)	0.13 (3)	Flat	8	0.50 (13)	22 lbs.
HW-WM6036A	57.00 x 33.00 (1448 x 838)	60 x 36 (1524 x 914)	57.00 (1448)	33.00 (838)	55.25 (1403)	31.25 (794)	0.13 (3)	Formed	8	0.50 (13)	23 lbs.

Note: Subpanels must be ordered separately. Dimensions in inches (millimeters).





**OPTIONAL MOUNTING
FOOT KITS**

OPTIONAL MOUNTING FOOT KITS		
PART NUMBER	DESCRIPTION	WT.
HW-MGFTKIT	Mounting Foot Kit for Premier Series (4 pieces per kit)	1 oz.
HW-N4XMGFTKIT	Mounting Foot Kit for Slim Line & In-Line Series (4 pieces per kit)	1 oz.

HOLE PLUGS

HOLE PLUGS		
PART NUMBER	DESCRIPTION	WT.
HW-FGHP	Non-metallic hole plug, for .5 to .75 inch diameter hole	2 oz.
HW-FGHP-PB-075	Non-metallic hole plug for .75 to 1.00 inch diameter hole	2 oz.
HW-FGHP-100-125	Non-metallic hole plug for 1.00 to 1.25 inch diameter hole	2 oz.
HW-FGHP-150-200	Non-metallic hole plug for 1.50 to 2.00 inch diameter hole	2 oz.



DRAIN VENT

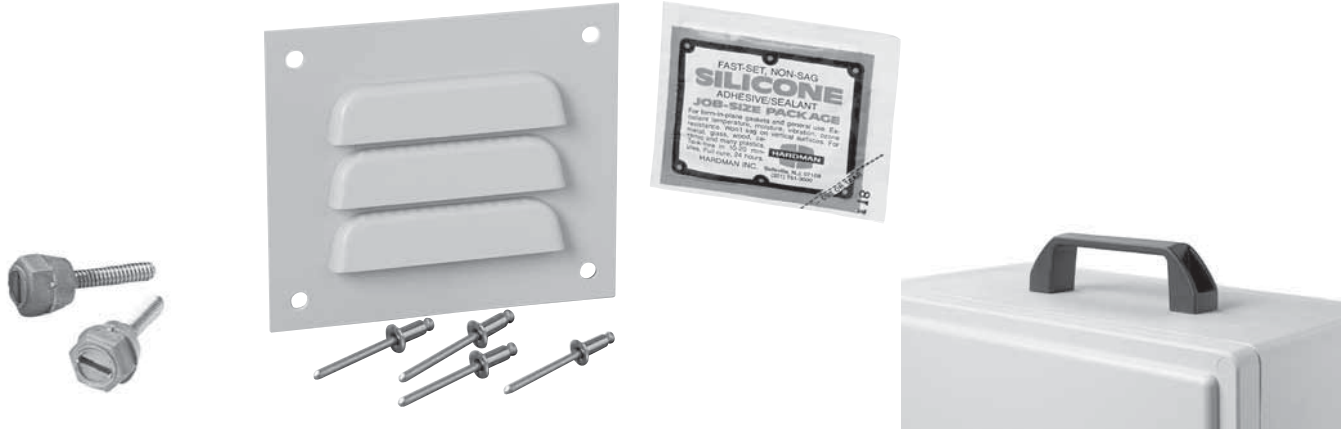
DRAIN VENT		
PART NUMBER	DESCRIPTION	WT.
HW-DV	Single Drain Vent	2 oz.
HW-DVKIT	Single Drain Vent, epoxy screws	2 oz.

STAINLESS STEEL SCREWS

STAINLESS STEEL SCREWS		
PART NUMBER	DESCRIPTION	WT.
HW-2PKSS	Stainless steel screws - pkg of 2	1 oz.
HW-4PKSS	Stainless steel screws - pkg of 4	1 oz.

VAPOR CAPSULE

VAPOR CAPSULE		
PART NUMBER	DESCRIPTION	WT.
HW-C12	Non-toxic vapor capsule prevents moisture and condensation from occurring on the interior of the enclosure for up to one year. Installs easily with a self-adhesive strip.	1 oz.



ENCAPSULATED SCREWS

ENCAPSULATED SCREWS		
PART NUMBER	DESCRIPTION	WT.
HW-2PKENCAP	PVC-encapsulated screws - pkg of 2	1 oz.
HW-4PKENCAP	PVC-encapsulated screws - pkg of 4	1 oz.

LOUVER PLATE AND KIT

LOUVER PLATE AND KIT		
PART NUMBER	DESCRIPTION	WT.
HW-LP	Louver plate only	2 oz.
HW-LPKIT	Louver plate, rivets, silicone	2 oz.

CARRYING HANDLE

CARRYING HANDLE		
PART NUMBER	DESCRIPTION	WT.
HW-Carrying Handle	Non-metallic black handle	2 oz.

