

Section H Index

W1C Series		WPBA Series	
NEMA 12 Consoles.....	H2	NEMA 12 Sloping Pushbutton.....	H16
WC9 Series		PB Series	
NEMA 12 Consoles.....	H4	NEMA 4 & 12 30.5mm Pushbutton.....	H18
WC10 Series		PBGX Series	
NEMA 12 Consoles.....	H6	NEMA 12 22.5mm Pushbutton	H20
WC12 Series		PBXD Series	
NEMA 12 Consoles.....	H8	NEMA 4 & 12 30.5mm Pushbutton.....	H22
WC14 Series		PSL Series	
NEMA 12 Consoles.....	H10	NEMA 12 30.5mm Pushbutton	H24
WC-C Series		PBYX Series	
NEMA 12 Consolets.....	H12	NEMA 12 30.5mm Pushbutton	H26
CCOL & Base Series			
NEMA 12 Pedestals.....	H14		

OPERATOR INTERFACE



W1C SERIES CONSOLES NEMA 12 OPERATOR INTERFACE



W1C30

Industry Standards

UL 508, Types 12 & 13
CSA Certified, Type 12 & 13
NEMA/EEMAC Types 12 & 13

 UL Files E64791

 CSA File LL66078

FEATURES-SPECIFICATIONS

Applications

Designed to house electrical and electronic controls and instruments. Pushbuttons, pilot lights, meters, switches etc., can be mounted on sloping control surfaces. Interior components can be mounted on standard back panel. Heavy duty construction provides protection from dirt, dust, oil and water.

Construction

- Bodies and doors fabricated from 14 gauge steel
- Seams are continuously welded and ground smooth without knock-outs, holes, or cutouts

- 3-point keylocking handle is provided on front, main door
- Main door on console is raised
- Control panels are hinged along bottom edge
- Controls panels, access panels and instrument panels have captivated screws which thread into sealed wells
- Door stops provided to hold control panel open
- Print pocket is provided
- Grounding provisions provided
- Closed cell neoprene gasket
- Removable back panel included with enclosure

Writing Desk

- Fabricated from 14 gauge steel
- Seams are continuously welded and ground smooth
- Desks are removable and attach easily to console front
- Desks must be ordered separately

Finish

- ANSI 61 gray polyester powder inside and out over phosphatized surfaces
- Included back panel is white polyester powder over phosphatized surfaces

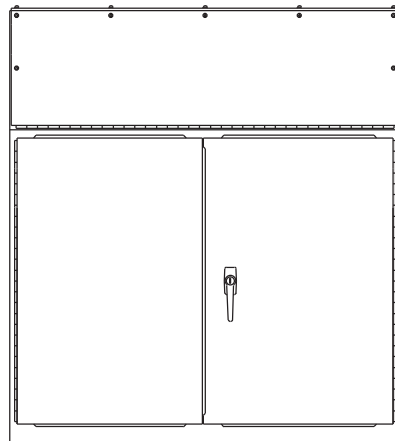
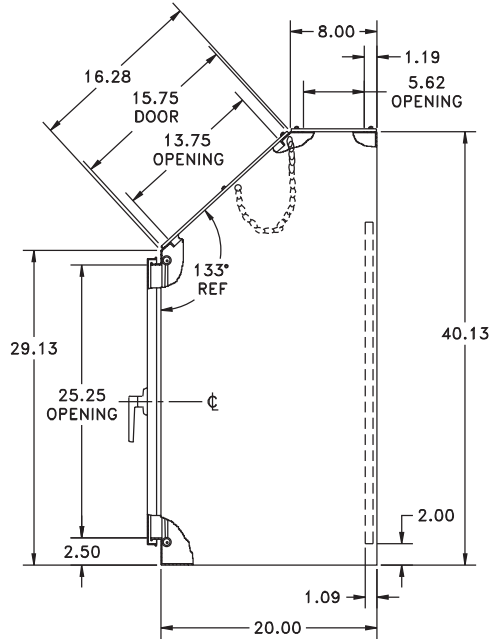
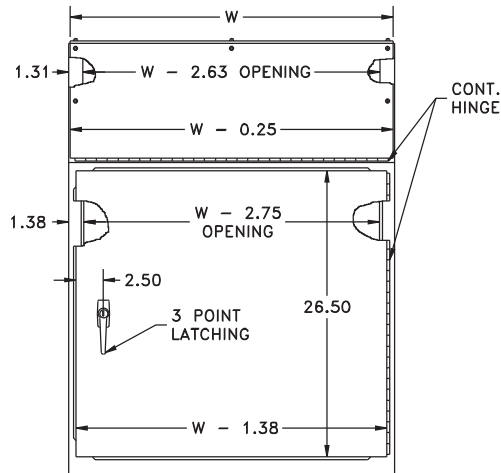
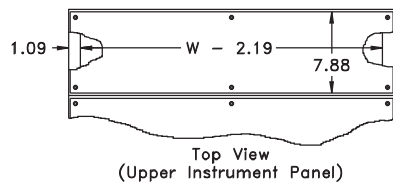
Accessories

- See pages J1-J22

W1C SERIES OPERATOR INTERFACE CONSOLES		
CATALOG NUMBER	ENCLOSURE SIZE H X W X D	BACK PANEL SIZE H X W*
W1C24	40.00x24.00x20.00 (1016x610x508)	30.00x21.00 (762x533)
W1C30	40.00x30.00x20.00 (1016x762x508)	30.00x27.00 (762x686)
W1C36	40.00x36.00x20.00 (1016x914x508)	30.00x33.00 (762x838)
W1C42**	40.00x42.00x20.00 (1016x1067x508)	30.00x39.00 (762x991)
W1C48**	40.00x48.00x20.00 (1016x1219x508)	30.00x45.00 (762x1143)

* Back panel included with enclosure.

** Two Door Units



View Showing
Two Door Console

Notes:

1. One 8X10 Print Pocket is provided.
2. 3-point key-locking handles are provided on main doors.
3. Rear panel included.



WC924B

Industry Standards

UL 508, Types 12 & 13
CSA Certified, Type 12 & 13
NEMA/EEMAC Types 12 & 13

 UL Files E64791

 CSA File LL66078

FEATURES-SPECIFICATIONS

Applications

Designed to house electrical and electronic controls, instruments and components. Heavy duty construction provides protection from dirt, dust, oil and water. Sloping front control panel provides an ideal surface for mounting pushbuttons, pilot lights, meters and switches. Interior components can be mounted on panels located on the sides and back of the enclosure. (Panels are optional)

Construction

- Bodies and doors fabricated from 14 gauge steel

- Continuously welded seams ground smooth, less knockouts or holes
- 3-point keylocking handle is provided on front access door
- Control panel attached with continuous hinge along bottom edge and secured with captive screws, threaded into sealed wells
- Door stops are provided to hold control panel open
- Collar studs provided for mounting one, two or three optional panels
- Closed cell neoprene gasket
- Print pocket is provided
- Grounding provisions provided

Finish

- ANSI 61 gray polyester powder inside and out over phosphatized surfaces
- Optional side and back panels are white polyester powder over phosphatized surfaces

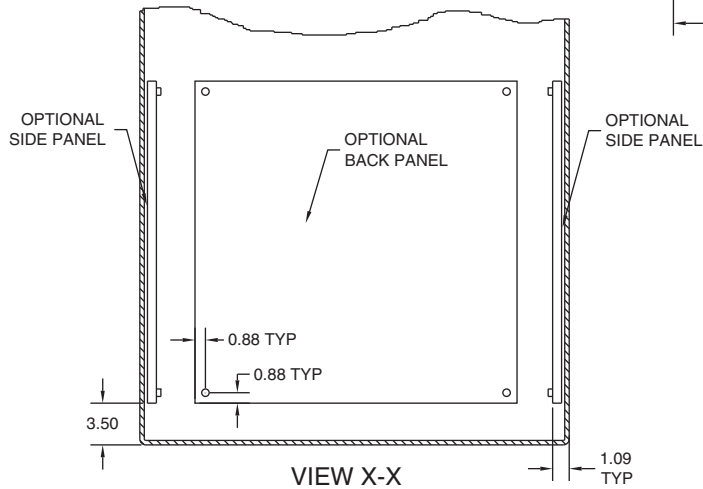
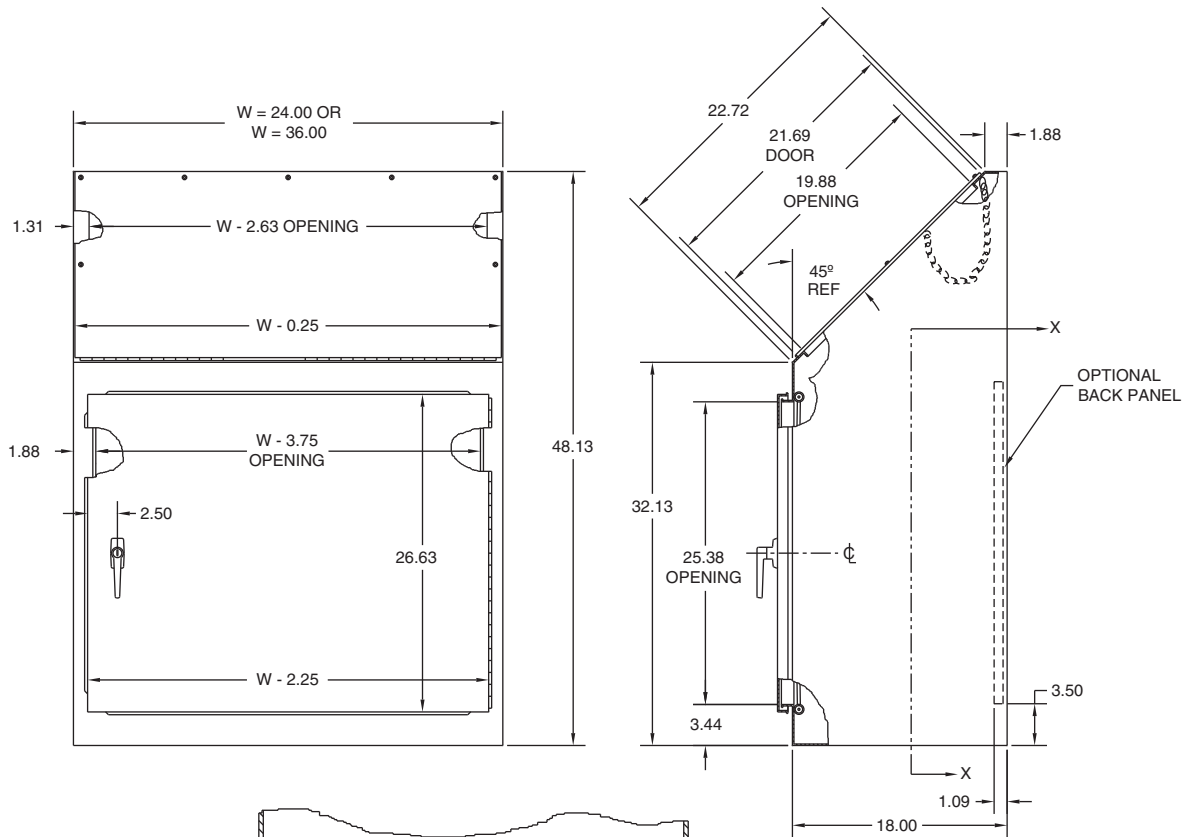
Accessories

- Side panels, back panels and caster kits (reference tables)
- See pages J1-J22

WC9 SERIES OPERATOR INTERFACE CONSOLES							
CATALOG NUMBER	BODY/DOOR STEEL GAUGE	DESCRIPTION/SIZE	BACK PANEL CATALOG NUMBER*	BACK PANEL SIZE H X W	SIDE PANEL CATALOG NUMBER	SIDE PANEL H X W	CASTER KIT CATALOG NUMBER
WC924B**	14/14	Console body only 24" wide	NP3020	27.00x17.00 (686x432)	NP3020	27.00x17.00 (686x432)	WC10C
WC936B	14/14	Console body only 36" wide	NP3030	27.00x27.00 (686x686)	NP3020	27.00x17.00 (686x432)	WC10C

*Panels and Caster Kits must be ordered separately.

**UL Listed.



Notes:

1. One 8X10 Print Pocket is provided.
2. 3-point key-locking handles are provided on main doors.
3. Rear panel is optional.



WC10B

Industry Standards

UL 508, Types 12 & 13
CSA Certified, Type 12 & 13
NEMA/EEMAC Types 12 & 13

 UL Files E64791

 CSA File LL66078

FEATURES-SPECIFICATIONS

Applications

Designed to hold electrical and electronic controls and instruments. Push-buttons, pilot lights, meters, switches etc., can be mounted on sloping control surfaces. Interior components can be mounted on back panel and terminal straps. Heavy-duty construction provides protection from dirt, dust, oil and water.

Construction—Body

- Fabricated from 14 gauge steel
- Seams are continuously welded and ground smooth
- 3-point keylocking handle is provided on front, main door
- Flush main door
- Control panels are hinged along bottom edge

- Controls panels have captivated screws which thread into sealed wells
- Door stops provided to hold control panel open
- Print pocket is provided
- Standard closed cell neoprene gasket is provided
- Removable back panel is included with enclosure
- Ground provisions provided

Construction—Top

- Fabricated from 14 gauge steel
- Seams are continuously welded and ground smooth
- Instrument and access panels have captivated screws which thread into sealed wells
- Closed cell neoprene gasket

Construction—Writing Desk

- Fabricated from 14 gauge steel
- Seams are continuously welded and ground smooth
- Desks are removable and attach easily to console front

Finish

- ANSI 61 gray polyester powder inside and out over phosphatized surfaces
- Included back panel is white polyester powder over phosphatized surfaces

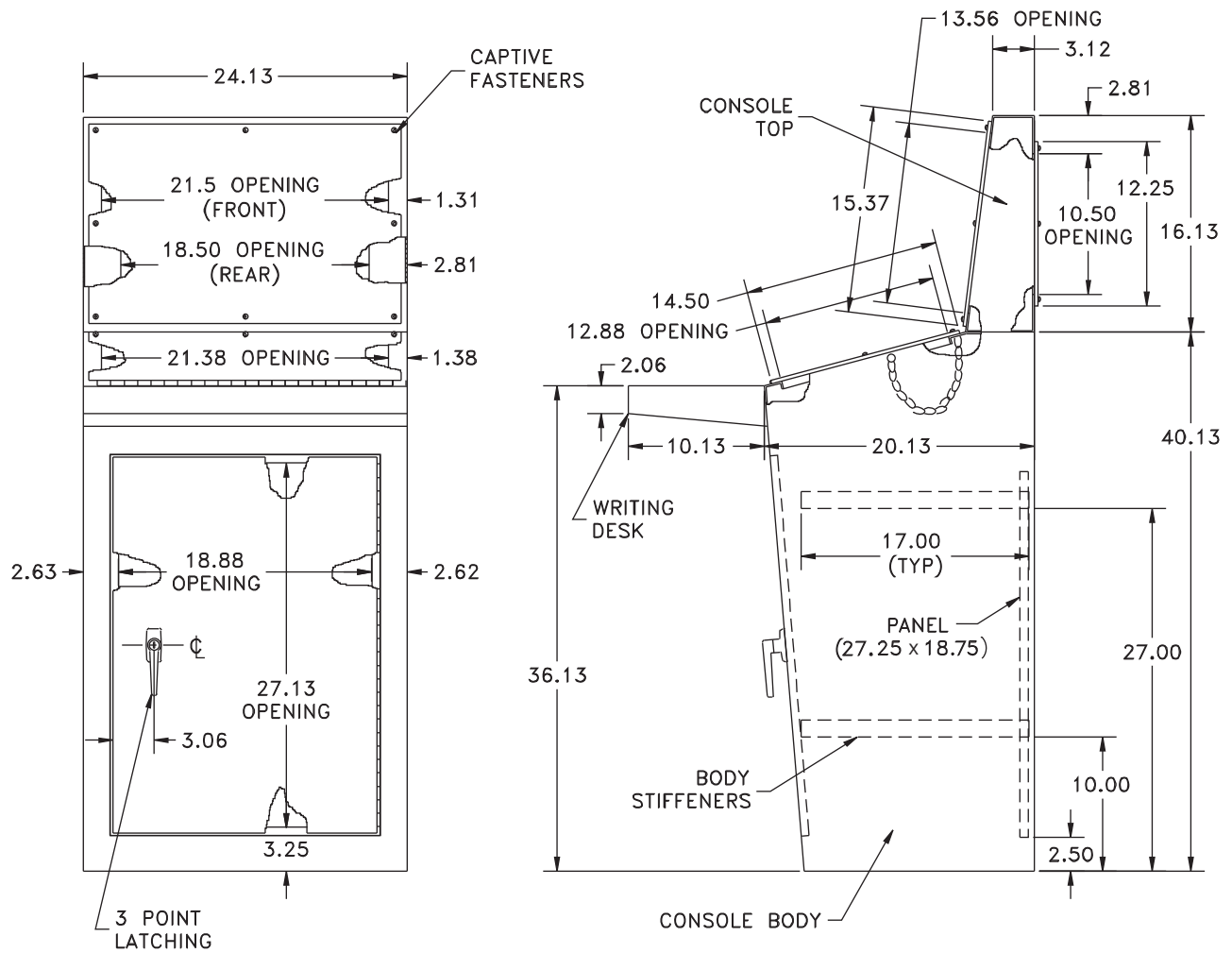
Accessories

- See pages J1-J22

WC10 SERIES OPERATOR INTERFACE CONSOLES	
CATALOG NUMBER	DESCRIPTION / SIZE
WC10B*	Console body only / 24.00" wide
WC10T	Top for WC10B
WC10W	Writing desk for WC10B
WC10C	Caster kit

*U.L. Listed. Back panels are included with console.

NOTE: Tops, writing desks, and caster kits must be ordered separately.



Notes:

1. Access doors open 180 degrees.
2. One 8X10 Print Pocket is provided.
3. 3-point key-locking handles are provided on main doors.
4. Writing desk is provided with mounting hardware.
5. 27.25 X 18.75 rear panel included.



WC1248BD

Industry Standards

UL 508, Types 12 & 13
CSA Certified, Type 12 & 13
NEMA/EEMAC Types 12 & 13

 UL Files E64791

 CSA File LL66078

FEATURES-SPECIFICATIONS

Applications

Designed to hold electrical and electronic controls and instruments. Pushbuttons, pilot lights, meters, switches etc., can be mounted on sloping control surfaces. Interior components can be mounted on standard back panel and terminal straps. Heavy duty construction provides protection from dirt, dust, oil and water.

Construction—Body

- Bodies and doors fabricated from 14 gauge steel
- Seams are continuously welded and ground smooth
- 3-point keylocking handle is provided on front, main door
- Double overlapping doors are provided on two door consoles
- Main hinged doors are flush
- Large sloping control panels are hinged along the bottom edge
- Control panels have captivated screws which thread into sealed wells

- Grounding provisions provided
- Door stops provided to hold control panel open
- Print pocket is provided
- Closed cell neoprene gasket is provided
- Removable back panel included with console
- Studs are welded to inside of console for mounting back panel
- An inclined body rail is welded to each side of 24.00" wide and 36.00" wide consoles for support of terminal straps

Construction—Top

- Fabricated from 14 gauge steel
- Tops has a sloped front surface
- Seams are continuously welded and ground smooth
- Instrument and access panels have captivated screws which thread into sealed well

- 4 holes are provided in bottom of top for mounting to body
- Closed cell neoprene gasket
- Instrument panels and access panels are removable

Construction—Writing Desk

- Fabricated from 14 gauge steel
- Seams are continuously welded and ground smooth
- Desks are removable and attach easily to console front

Finish

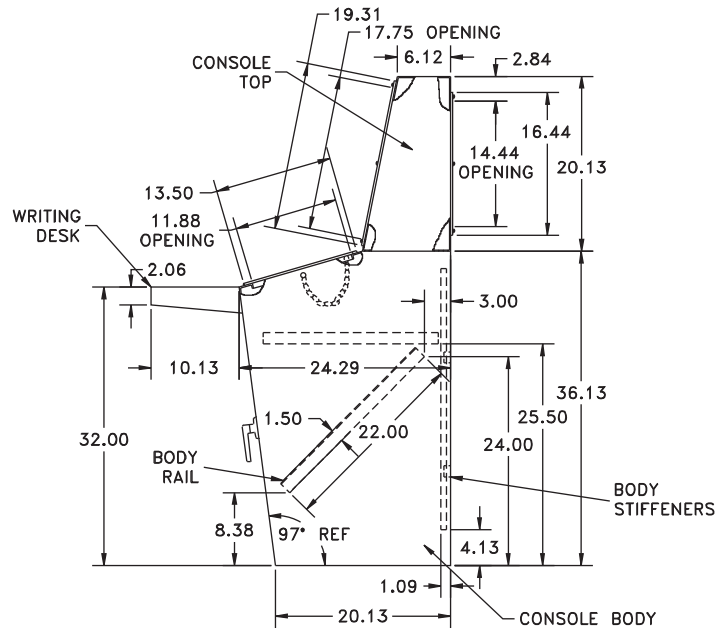
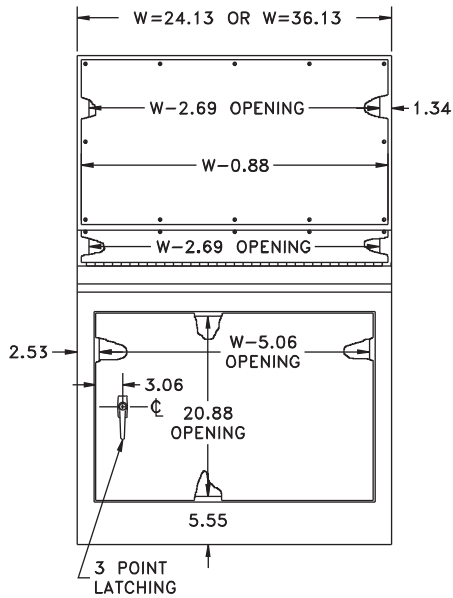
- ANSI 61 gray polyester powder inside and out over phosphatized surfaces
- Included back panel is white polyester powder over phosphatized surfaces

Accessories

- See pages J1-J22

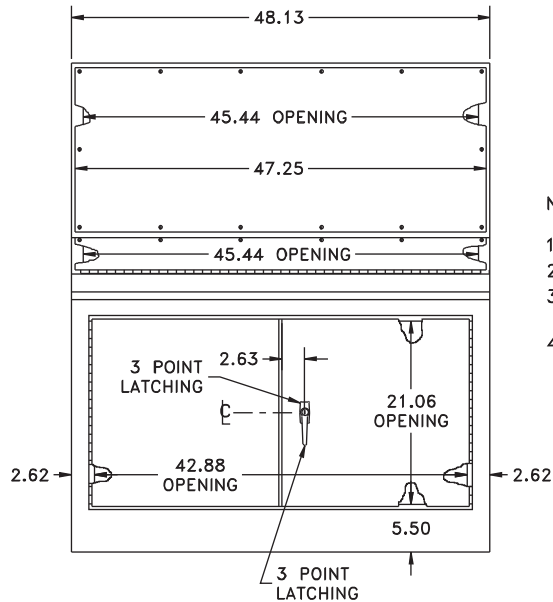
WC12 SERIES OPERATOR INTERFACE CONSOLES					
CATALOG NUMBER CONSOLE ONLY	CONSOLE WIDTH	CATALOG NUMBER			BACK PANEL SIZE H X W
		CONSOLE TOP	WRITING DESK	CASKET KIT	
WC1224B	24" (610)	WC1224T	WC1224W	WC12C	32"x18" (813x457)
WC12B	36" (914)	WC12T	WC12W	WC12C	32"x30" (813x762)
WC1248BD	48" (1219)	WC1248T	WC1248W	WC12C	32"x42" (813x1067)

WC1224B & WC12B



**RIGHT VIEW
(APPLICABLE TO ALL)**

WC1248BD



Notes:

1. Access doors open 180 degrees.
2. One 8X10 Print Pocket is provided.
3. 3-point key-locking handles are provided on main doors.
4. Writing desk is provided with mounting hardware.



WC14B

Industry Standards

UL 508, Types 12 & 13

CSA Certified, Type 12 & 13

NEMA/EEMAC Types 12 & 13

 UL Files E64791

 CSA File LL66078

FEATURES-SPECIFICATIONS

Applications

Designed to hold electrical and electronic controls and instruments. Pushbuttons, pilot lights, meters, switches etc., can be mounted on the instrument panel. Interior components are motorized on stationary sub panels, swing-out sub panels or relay rack angles (panels are optional). Heavy duty construction provides protection from dirt, dust, oil and water. Numerous accessories and variable combinations make these consoles most versatile.

Construction—Body

- Bodies and doors fabricated from 14 gauge steel
- Seams are continuously welded and ground smooth, less knockouts or holes
- 3-point keylocking handle is provided on front, main door
- Double overlapping doors are provided on two door consoles
- Main hinged doors are flush

- Grounding provisions provided
- One or two large sloping control panels are hinged on bottom
- Control panels have captivated screws which thread into sealed wells
- Door stops provided to hold control panel open
- Two print pockets are included
- Closed cell neoprene gasket is provided
- Horizontal channels are welded to sides of console to support optional panels, swing-out panels and rack mounting angles
- Half, full, and swing panels are optional

Construction—Top

- Fabricated from 14 gauge steel
- Top unit is 12.50" deep to accommodate most instruments
- Seams are continuously welded and ground smooth, less knockouts or holes

- Instrument and access panels have captivated screws which thread into sealed wells
- 4 holes are provided in bottom of top for mounting to body
- Instrument and access panels are removable
- Closed cell neoprene gasket

Construction—Writing Desk

- Fabricated from 14 gauge steel
- Seams are continuously welded and ground smooth
- Desks are removable and attach easily to console front

Finish

- ANSI 61 gray polyester powder inside and out over phosphatized surfaces
- Optional panels are white polyester powder over phosphatized surfaces

Accessories

- See pages J1-J22

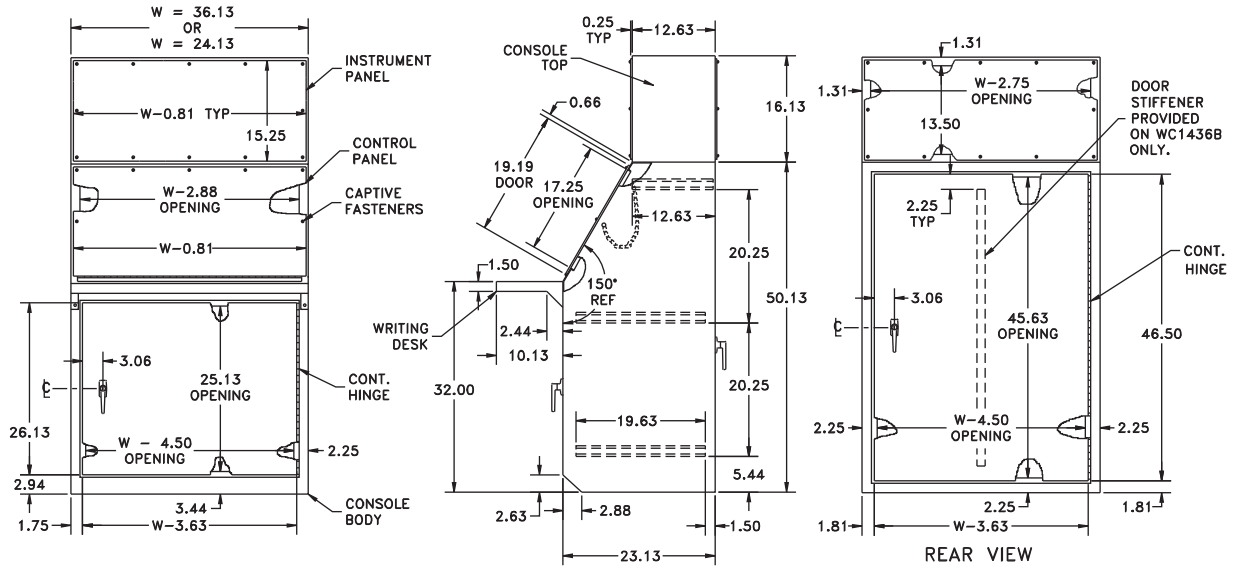
WC14 SERIES OPERATOR INTERFACE CONSOLES								
CATALOG NUMBER CONSOLE ONLY	CONSOLE WIDTH	CATALOG NUMBER			PANEL SIZES H X W	CATALOG NUMBER		
		CONSOLE TOP	WRITING DESK	VARIOUS PANEL*		CASTER KIT	CLAMPING NUTS	RACK ANGLES
WC14B (Single door)	24.00" (610)	WC14T	WC14W	WC14P1 (Swing panel)	22.00x18.13 (559x461)	WC12C	WAPS1420CN	WC14R
—	—	—	—	WC14P2 (Half panel)	22.00x17.00 (559x432)	—	—	—
—	—	—	—	WC14P3 (Full panel)	42.25x17.00 (1073x432)	—	WAPS3816CN	—
WC1436B (Single door)	36.00" (914)	WC1436T	WC1436W	WC1436P1 (Swing panel)	22.00x30.13 (559x765)	WC12C	WAPS1420CN	—
—	—	—	—	WC1436P2 (Half panel)	22.00x29.00 (559x737)	—	—	—
—	—	—	—	WC1436P3 (Full panel)	42.25x29.00 (1073x737)	—	WAPS3816CN	—
WC1448BD (Double door)	48.00" (1219)	WC1448T	WC1448W	WC1448P2 (Half panel)	22.00x41.00 (559x1041)	WC12C	WAPS1420CN	—
—	—	—	—	WC1448P3 (Full panel)	42.25x41.00 (1073x1041)	—	WAPS3816CN	—
WC1460BD (Double door)	60.00" (1524)	WC1460T	WC1460W	WC1460P2 (Half panel)	22.00x53.00 (559x1346)	WC12C	WAPS1420CN	—
—	—	—	—	WC1460P3 (Full panel)	42.25x53.00 (1073x1346)	—	WAPS3816CN	—

*Full, Half, and Swing panels must be ordered separately.

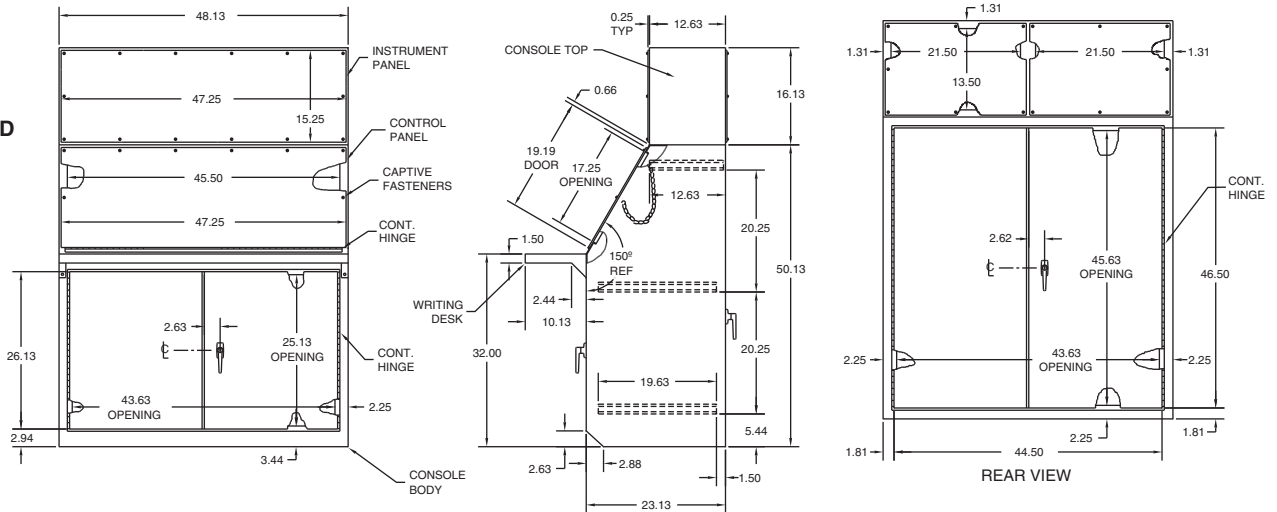
**WC14 SERIES CONSOLES
NEMA 12 OPERATOR INTERFACE**

H11

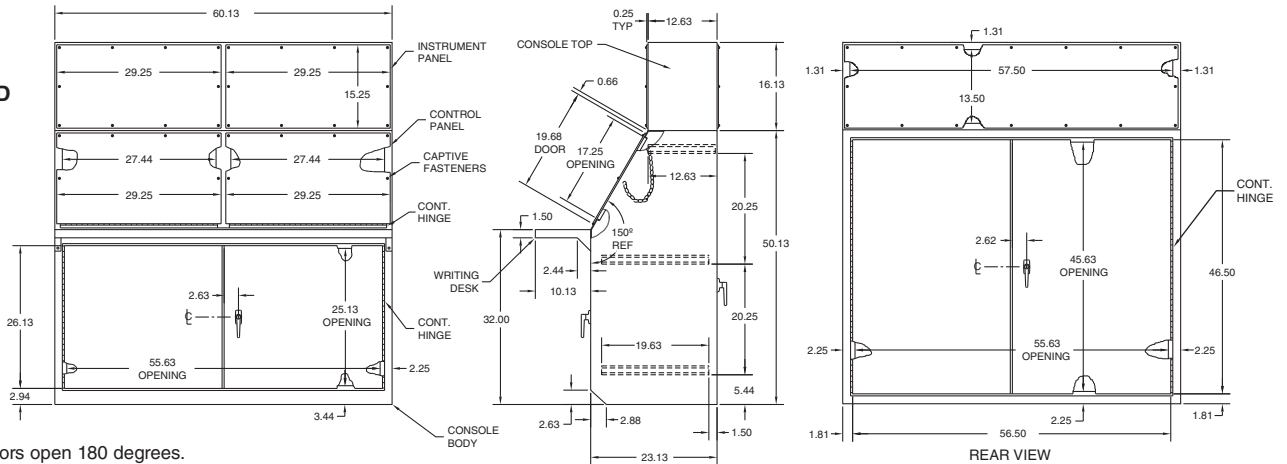
**WC14B and
WC1436B**



WC1448BD



WC1460BD



Notes:

1. Access doors open 180 degrees.
2. Two 8X10 Print Pockets are provided.
3. 3-point key-locking handles are provided on access doors.
4. Writing desk is provided with mounting hardware.



WC12C12

Industry Standards

UL 508, Types 12 & 13
CSA Certified, Types 12 & 13
NEMA/EEMAC Type 12 & 13
JIC EL-1-71

 UL Files E64791

 CSA File LL66078

FEATURES-SPECIFICATIONS

Applications

Designed to house a variety of electronic control or instrumentation devices. Consolets provide protection from dust, dirt, oil, and water. Flexible design allows for mounting on either or two sides, creating control surfaces of 30 degrees or 60 degrees. Consolets can be mounted on desk-tops, pedestals, or other flat surfaces.

Construction

- Bodies and doors fabricated from 14 gauge steel
- Continuously welded seams ground smooth, less knockouts or holes
- Captivated cover screws thread into sealed wells
- Control panel is continuously hinged along bottom edge

- Closed cell oil resistant neoprene gasket
- Grounding provisions provided

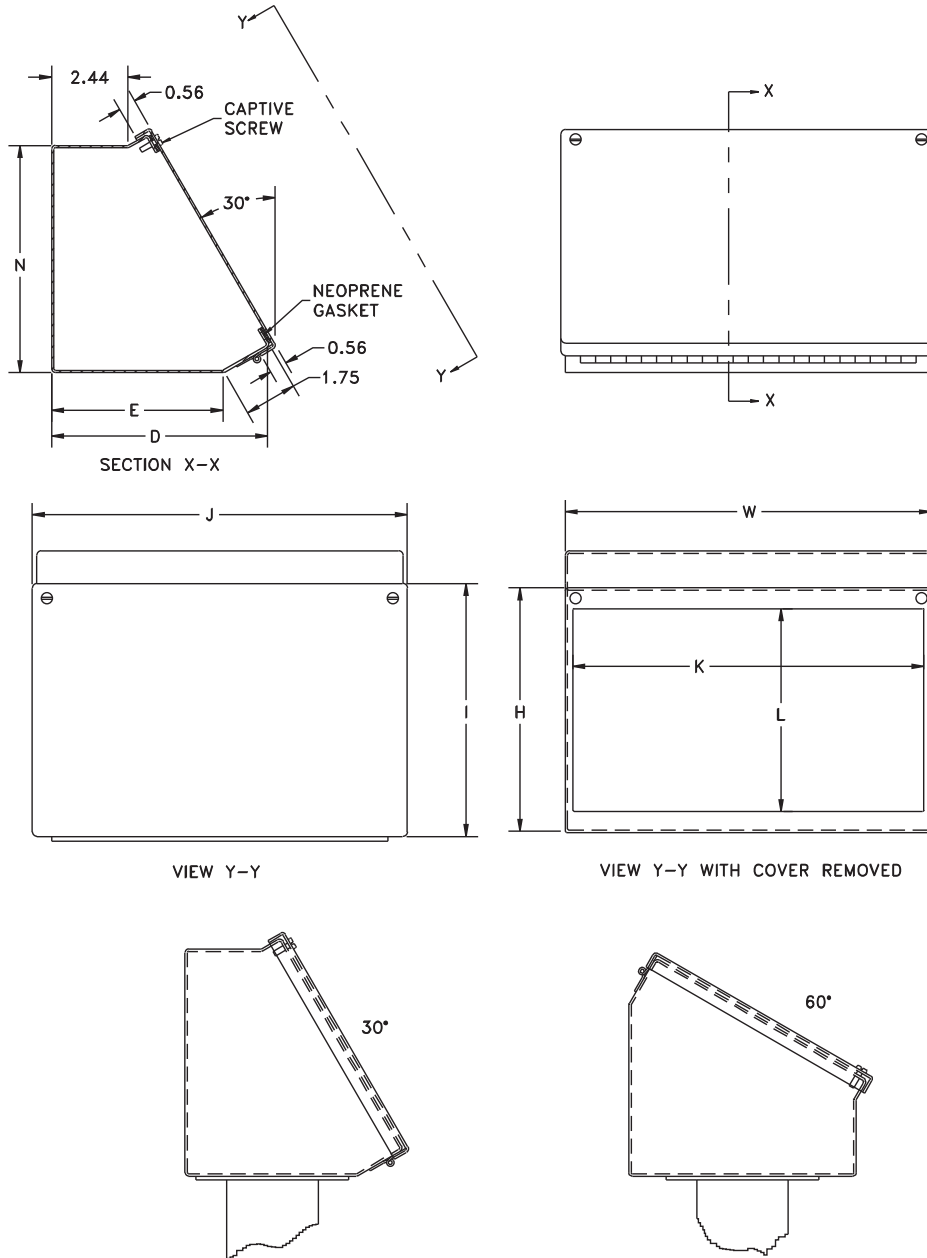
Finish

- ANSI-61 gray polyester powder inside and out over phosphatized surfaces

Accessories

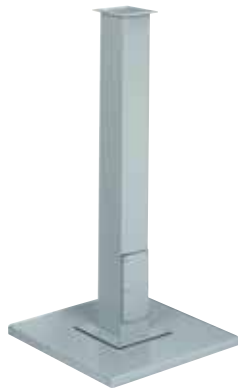
See pages J1-J22

WC-C SERIES OPERATOR INTERFACE CONSOLETS								
CATALOG NUMBER	BODY/DOOR STEEL GAUGE	ENCLOSURE SIZE H X W X D	E	N	L	K	I	J
WC08C08	14/14	8.00x8.00x7.09 (203x203x180)	5.69 (144)	7.44 (189)	6.56 (167)	7.44 (189)	8.31 (211)	8.31 (211)
WC08C12	14/14	8.00x12.00x7.09 (203x305x180)	5.69 (144)	7.44 (189)	6.56 (167)	11.44 (291)	8.31 (211)	12.31 (313)
WC08C16	14/14	8.00x16.00x7.09 (203x406x180)	5.69 (144)	7.44 (189)	6.56 (167)	15.44 (392)	8.31 (211)	16.31 (414)
WC08C20	14/14	8.00x20.00x7.09 (203x508x180)	5.69 (144)	7.44 (189)	6.56 (167)	19.44 (494)	8.31 (211)	20.31 (516)
WC12C12	14/14	12.00x12.00x9.09 (305x305x231)	7.69 (195)	10.91 (277)	10.56 (268)	11.44 (291)	12.31 (313)	12.31 (313)
WC12C16	14/14	12.00x16.00x9.09 (305x406x231)	7.69 (195)	10.91 (277)	10.56 (268)	15.44 (392)	12.31 (313)	16.31 (414)
WC12C20	14/14	12.00x20.00x9.09 (305x508x231)	7.69 (195)	10.91 (277)	10.56 (268)	19.44 (494)	12.31 (313)	20.31 (516)
WC12C24	14/14	12.00x24.00x9.09 (305x610x231)	7.69 (195)	10.91 (277)	10.56 (268)	23.44 (595)	12.31 (313)	24.31 (618)
WC16C16	14/14	16.00x16.00x11.09 (406x406x282)	9.69 (246)	14.38 (365)	14.56 (370)	15.44 (392)	16.31 (414)	16.31 (414)
WC16C20	14/14	16.00x20.00x11.09 (406x508x282)	9.69 (246)	14.38 (365)	14.56 (370)	19.44 (494)	16.31 (414)	20.31 (516)
WC16C24	14/14	16.00x24.00x11.09 (406x610x282)	9.69 (246)	14.38 (365)	14.56 (370)	23.44 (595)	16.31 (414)	24.31 (618)
WC16C30	14/14	16.00x30.00x11.09 (406x762x282)	9.69 (246)	14.38 (365)	14.56 (370)	29.44 (748)	16.31 (414)	30.31 (770)
WC16C36	14/14	16.00x36.00x11.09 (406x914x282)	9.69 (246)	14.38 (365)	14.56 (370)	35.44 (900)	16.31 (414)	36.31 (922)
WC20C20	14/14	20.00x20.00x13.09 (508x508x333)	11.69 (297)	17.84 (453)	18.56 (471)	19.44 (494)	20.31 (516)	20.31 (516)
WC20C24	14/14	20.00x24.00x13.09 (508x610x333)	11.69 (297)	17.84 (453)	18.56 (471)	23.44 (595)	20.31 (516)	24.31 (618)
WC20C30	14/14	20.00x30.00x13.09 (508x762x333)	11.69 (297)	17.84 (453)	18.56 (471)	29.44 (748)	20.31 (516)	30.31 (770)



Consolet can be positioned at 30° or 60° angle.

CCOL & BASE SERIES PEDESTALS NEMA 12 OPERATOR INTERFACE



WA44CCOL
WITH OPTIONAL BASE SHOWN



WA44BPCOL
WITH OPTIONAL BASE SHOWN

Industry Standards Type 12 & 13

UL Files E64791

CSA File LL66078

FEATURES-SPECIFICATIONS

Applications

Designed to permit floor mounting of many types of enclosures and boxes. Four column and two base sizes are available. Columns can be mounted on either base. Wiring connections can be made through the base, through the vertical column, or directly to the enclosure. Columns have flanges at each end and a gasketed access plate. Screws, oil-resistant gaskets, and box connector fitting are furnished with each column for joining and enclosure to the top of the column. A cutout must be made in the enclosure if the wires are to come through the column.

Construction—Column

- Columns fabricated from 14 gauge steel with 10 gauge flanges
- Gasket, screws and box connective fittings are furnished for mounting console
- Columns feature gasketed access plate
- Stainless steel columns fabricated from 304 stainless steel

Construction—Base

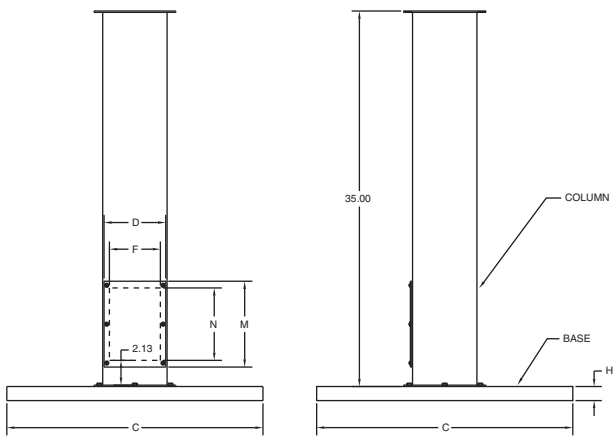
- 18" bases are fabricated from 10 gauge steel
- 24" bases are fabricated from 7 gauge steel
- Both bases have added reinforcing, leveling screws and holes for securing to floor
- Stainless steel bases fabricated from 304 stainless steel

Finish

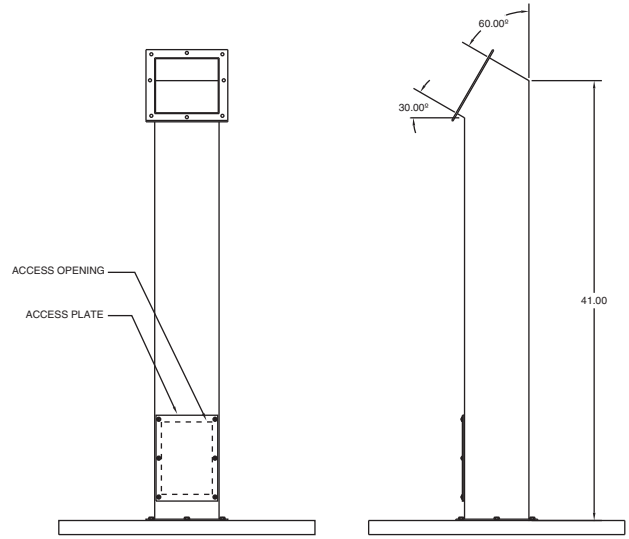
- ANSI-61 gray polyester powder inside and out over phosphatized surfaces
- Stainless steel product – standard grain finish

OPERATOR INTERFACE PEDESTALS AND BASES											
CATALOG NUMBER		BODY/DOOR STEEL GAUGE	SIZE	DESCRIPTION	C	D	F	H	M	N	P
GRAY	STAINLESS STEEL										
WA44CCOL	WA44CCOLSS	14	4.00x4.00 (102x102)	Straight pedestal column	—	3.75 (95)	2.75 (70)	—	7.25 (184)	6.00 (152)	—
WA66CCOL	WA66CCOLSS	14	6.00x6.00 (152x152)	Straight pedestal column	—	5.75 (146)	4.75 (121)	—	8.00 (203)	6.75 (171)	—
WA44BPCOL	WA44BPCOLSS	14	4.00x4.00 (102x102)	Angled pedestal column	—	3.75 (95)	2.75 (70)	—	7.25 (184)	6.00 (152)	—
WA66BPCOL	WA66BPCOSS	14	6.00x6.00 (152x152)	Angled pedestal column	—	5.75 (146)	4.75 (121)	—	8.00 (203)	6.75 (171)	—
WA18SBASE	WA18SBASESS	10	18.00x18.00 (457x457)	Pedestal base	18.06 (459)	—	—	1.13 (29)	—	—	0.47 (12)
WA24SBASE	WA24SBASESS	7	24.00x24.00 (610x610)	Pedestal base	23.88 (606)	—	—	1.31 (33)	—	—	0.78 (20)

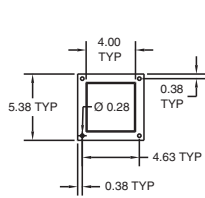
NOTE: The user would normally remove the mounting feet from the enclosure if the enclosure is mounted on a pedestal. Hubbell Wiegmann can supply enclosures without mounting feet/plates and with cutouts as a special. Consult factory for information.



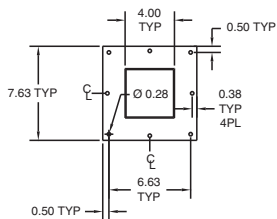
STRAIGHT PEDESTALS



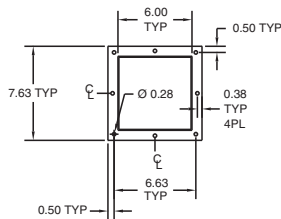
ANGLED PEDESTALS



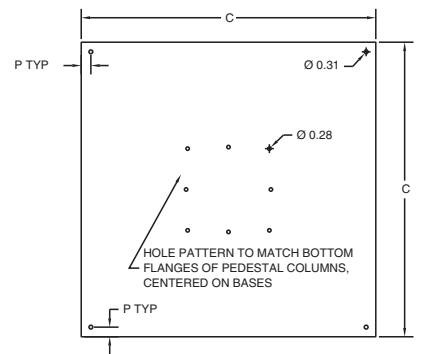
TOP FLANGE
4 X 4



BOTTOM FLANGE
4 X 4



TOP AND BOTTOM FLANGES
6 X 6



TOP VIEW OF BASES



WPBA10

Industry Standards

UL 508, Types 12 & 13
CSA Certified, Types 12 & 13
NEMA/EEMAC Type 12 & 13
JIC EL-171

 UL Files E64791

 CSA File LL66078

FEATURES-SPECIFICATIONS

Applications

Designed for use where slanted control surfaces are wanted. Enclosures may be mounted in a variety of ways to meet specific requirements. Receives all standard brands of oil-tight pushbuttons, switches and pilot lights. Provide protection from dirt, dust, oil and water.

Construction

- Fabricated from 14 gauge steel
- Closed cell oil resistant neoprene gasket

- Continuously welded seams ground smooth
- External mounting plate, top and bottom of enclosure
- Captivated cover screws thread into sealed wells
- Standard "4-way" pushbutton holes accept all brands of oil-tight pushbuttons, switches and pilot lights
- Enclosures 7.25" x 6.25" x 6.75" and larger have internal detachable

hinges to hold cover open during wiring, yet permit quick removal

- Grounding provisions provided

Finish

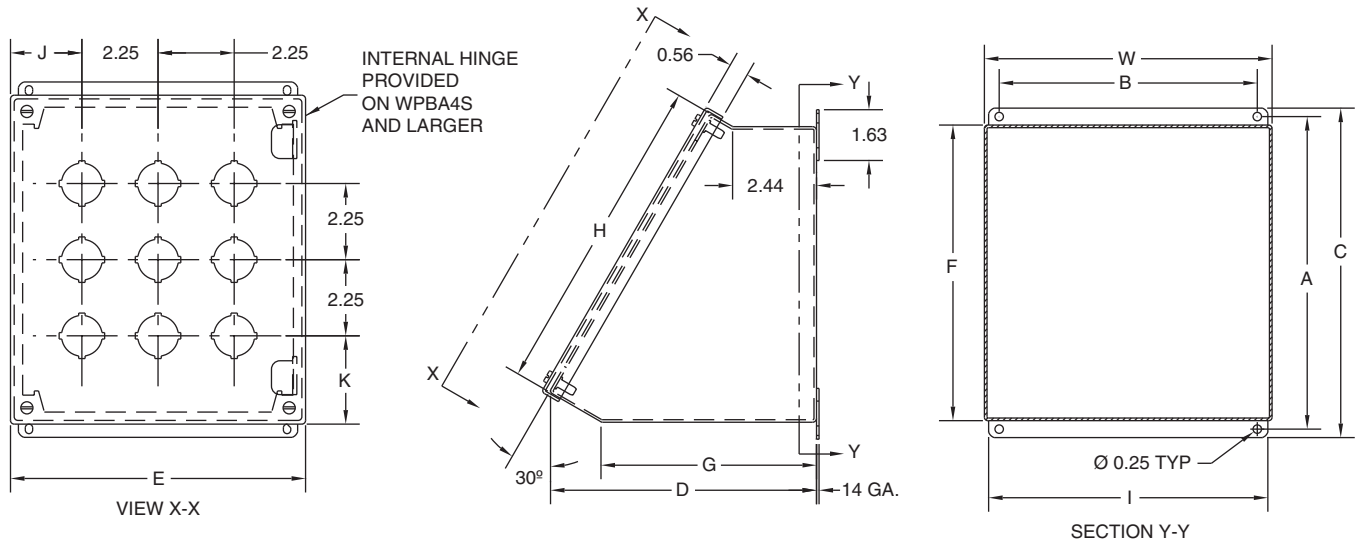
- ANSI-61 gray polyester powder inside and out over phosphatized surfaces

Accessories

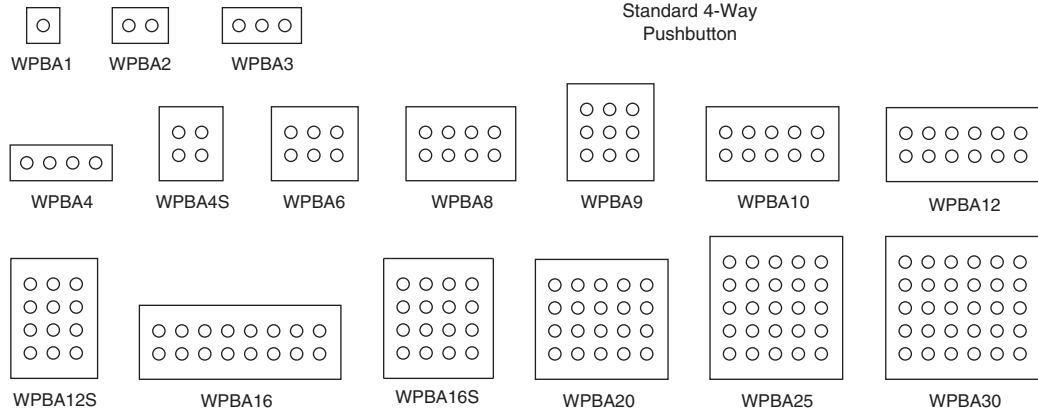
- See pages J1-J22

WPBA SERIES OPERATOR INTERFACE • 30.5MM SLOPING FRONT PUSHBUTTON ENCLOSURES

CATALOG NUMBER	BODY/DOOR STEEL GAUGE	ENCLOSURE SIZE H X W X D	MOUNTING A X B	OVERALL C X E	F	G	I	J	K
WPBA1	14/14	3.50x3.25x4.78 (89x83x121)	4.03x2.38 (102x60)	4.53x3.56 (115x90)	3.53 (90)	3.31 (84)	3.00 (76)	1.78 (45)	1.88 (48)
WPBA2	14/14	3.50x5.50x4.78 (89x140x121)	4.03x4.63 (102x117)	4.53x5.81 (115x148)	3.53 (90)	3.31 (84)	5.25 (133)	1.78 (45)	1.88 (48)
WPBA3	14/14	3.50x7.75x4.78 (89x197x121)	4.03x6.88 (102x175)	4.53x8.06 (115x205)	3.53 (90)	3.31 (84)	7.50 (191)	1.78 (45)	1.88 (48)
WPBA4	14/14	3.50x10.00x4.78 (89x254x121)	4.03x9.13 (102x232)	4.53x10.31 (115x262)	3.53 (90)	3.31 (84)	9.75 (248)	1.78 (45)	1.88 (48)
WPBA4S	14/14	7.25x6.25x6.66 (184x159x169)	7.28x5.38 (185x137)	7.78x6.56 (198x167)	6.78 (172)	5.19 (132)	6.00 (152)	2.16 (55)	2.63 (67)
WPBA6	14/14	7.25x8.50x6.66 (184x216x169)	7.28x7.63 (185x194)	7.78x8.81 (198x224)	6.78 (172)	5.19 (132)	8.25 (210)	2.16 (55)	2.63 (67)
WPBA8	14/14	7.25x10.75x6.66 (184x273x169)	7.28x9.88 (185x251)	7.78x11.06 (198x281)	6.78 (172)	5.19 (132)	10.50 (267)	2.16 (55)	2.63 (67)
WPBA9	14/14	9.50x8.50x7.78 (241x216x198)	9.25x7.63 (235x194)	9.75x8.81 (248x224)	8.75 (222)	6.31 (160)	8.25 (210)	2.16 (55)	2.63 (67)
WPBA10	14/14	7.25x13.00x6.66 (184x330x169)	7.28x12.13 (185x308)	7.78x13.31 (198x338)	6.78 (172)	5.19 (132)	12.75 (324)	2.16 (55)	2.63 (67)
WPBA12	14/14	7.25x15.25x6.66 (184x387x169)	7.28x14.38 (185x365)	7.78x15.56 (198x395)	6.78 (172)	5.19 (132)	15.00 (381)	2.16 (55)	2.63 (67)
WPBA12S	14/14	11.75x8.50x8.91 (298x216x226)	11.19x7.63 (284x194)	11.69x8.81 (297x224)	10.69 (271)	7.44 (189)	8.25 (210)	2.16 (55)	2.63 (67)
WPBA16	14/14	7.25x19.75x6.66 (184x502x169)	7.28x18.88 (185x479)	7.78x20.06 (198x510)	6.78 (172)	5.19 (132)	19.50 (495)	2.16 (55)	2.63 (67)
WPBA16S	14/14	11.75x10.75x8.91 (298x273x226)	11.19x9.88 (284x251)	11.69x11.06 (297x281)	10.69 (271)	7.44 (189)	10.50 (267)	2.16 (55)	2.63 (67)
WPBA20	14/14	11.75x13.00x8.91 (298x330x226)	11.19x12.13 (284x308)	11.69x13.31 (297x338)	10.69 (271)	7.44 (189)	12.75 (324)	2.16 (55)	2.63 (67)
WPBA25	14/14	14.00x13.00x10.03 (356x330x255)	13.13x12.13 (333x308)	13.63x13.31 (346x338)	12.63 (321)	8.56 (217)	12.75 (324)	2.16 (55)	2.63 (67)
WPBA30	14/14	14.00x15.25x10.03 (356x387x255)	13.13x14.38 (333x365)	13.63x15.56 (346x395)	12.63 (321)	8.56 (217)	15.00 (381)	2.16 (55)	2.63 (67)



WPBA Hole Arrangements



PB SERIES 30.5MM PUSHBUTTON ENCLOSURES NEMA 4 & 12 OPERATOR INTERFACE



PB4



PB3BC

Industry Standards

- UL 508, Types 4, 12 & 13
- CSA Certified, Types 12 & 13
- NEMA/EEMAC Type 4, 12 & 13
- JIC EL-1-71
- (PB16 & PB25 meet N12 only)

 UL File E64791

 CSA File LL66078

FEATURES-SPECIFICATIONS

Applications

Designed to hold all standard brands of pushbuttons, switches and pilot lights. Provide protection from dust, dirt, oil and water.

Construction

- Bodies and doors fabricated from 14 gauge steel
- Continuously welded seams ground smooth
- Closed cell oil resistant neoprene gasket

- External mounting plates, top and bottom of enclosure
- Captivated cover screws thread into sealed wells
- Standard "4-way" pushbuttons holes accept all brands of oil-tight push buttons, switches and pilot lights
- Enclosures 9.50" x 6.25" x 3.00" and larger have internal detachable hinges to hold cover open during wiring, yet permit quick removal

- Grounding provisions provided

Finish

- ANSI-61 gray polyester powder inside and out over phosphatized surfaces

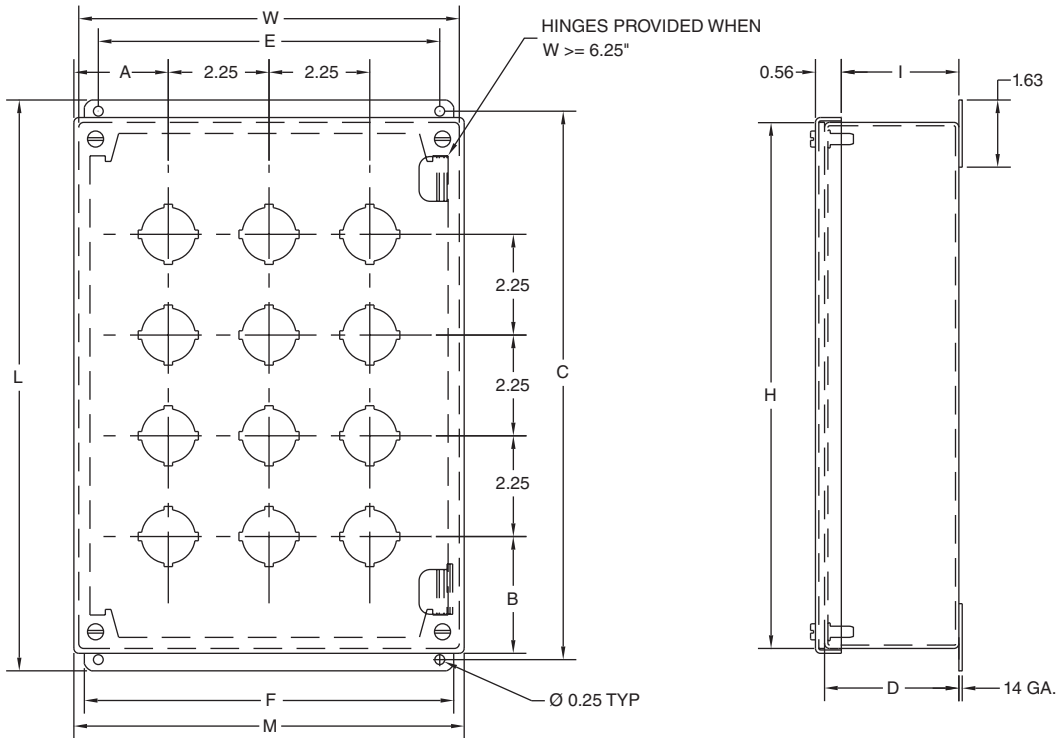
Accessories

- See page E2 for stainless steel PB-SS Series
- PBBC Series, blank covers-no holes (reference tables)
- For accessories, see pages J1-J22

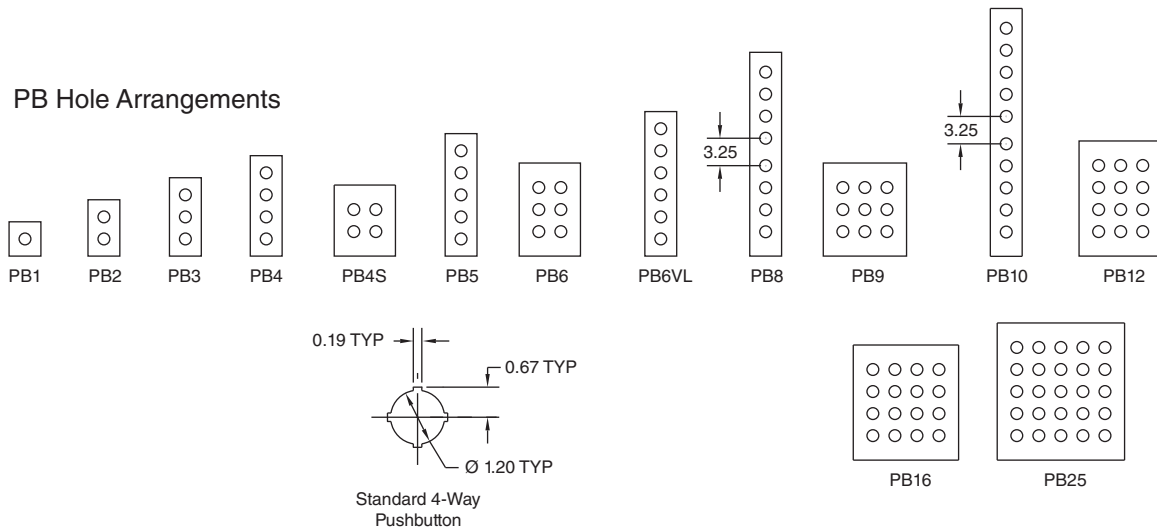
PB SERIES OPERATOR INTERFACE 30.5MM PUSHBUTTON ENCLOSURES

CATALOG NUMBER	BLANK COVER ENCLOSURE CATALOG NO.	BODY/DOOR STEEL GAUGE	ENCLOSURE SIZE H X W X D	MOUNTING C X E	OVERALL L X M	F	I	A	B
PB1	PB1BC	14/14	3.50x3.25x2.81 (89x83x71)	4.00x2.38 (102x60)	4.50x3.56 (114x90)	3.00 (76)	2.41 (61)	1.78 (45)	1.88 (48)
PB2	PB2BC	14/14	5.75x3.25x2.81 (146x83x71)	6.25x2.38 (159x60)	6.75x3.56 (171x90)	3.00 (76)	2.41 (61)	1.78 (45)	1.88 (48)
PB3	PB3BC	14/14	8.00x3.25x2.81 (203x83x71)	8.50x2.38 (216x60)	9.00x3.56 (229x90)	3.00 (76)	2.41 (61)	1.78 (45)	1.88 (48)
PB4	PB4BC	14/14	10.25x3.25x2.81 (260x83x71)	10.75x2.38 (273x60)	11.25x3.56 (286x90)	3.00 (76)	2.41 (61)	1.78 (45)	1.88 (48)
PB4S	PB4SBC	14/14	7.25x6.25x3.09 (184x159x79)	7.75x5.38 (197x137)	8.25x6.56 (210x167)	6.00 (152)	2.69 (68)	2.16 (55)	2.63 (67)
PB5	PB5BC	14/14	12.50x3.25x2.81 (318x83x71)	13.00x2.38 (330x60)	13.50x3.56 (343x90)	3.00 (76)	2.41 (61)	1.78 (45)	1.88 (48)
PB6	PB6BC	14/14	9.50x6.25x3.09 (241x159x79)	10.00x5.38 (254x137)	10.50x6.56 (267x167)	6.00 (152)	2.69 (68)	2.16 (55)	2.63 (67)
PB6VL	PB6VLBC	14/14	14.75x3.25x2.81 (375x83x71)	15.25x2.38 (387x60)	15.75x3.56 (400x90)	3.00 (76)	2.41 (61)	1.78 (45)	1.88 (48)
PB8	PB8BC	14/14	20.25x3.25x2.81 (514x83x71)	20.75x2.38 (527x60)	21.25x3.56 (540x90)	3.00 (76)	2.41 (61)	1.78 (45)	1.88 (48)
PB9	PB9BC	14/14	9.50x8.50x3.09 (241x216x79)	10.00x7.63 (254x194)	10.50x8.81 (267x224)	8.25 (210)	2.69 (68)	2.16 (55)	2.63 (67)
PB10	PB10BC	14/14	24.75x3.25x2.81 (629x83x71)	25.25x2.38 (641x60)	25.75x3.56 (654x90)	3.00 (76)	2.41 (61)	1.78 (45)	1.88 (48)
PB12	PB12BC	14/14	11.75x8.50x3.09 (298x216x79)	12.25x7.63 (311x194)	12.75x8.81 (324x224)	8.25 (210)	2.69 (68)	2.16 (55)	2.63 (67)
PB16**	PB16BC**	14/14	11.75x10.75x3.09 (298x273x79)	12.25x9.88 (311x251)	12.75x11.06 (324x281)	10.50 (267)	2.69 (68)	2.16 (55)	2.63 (67)
PB25**	PB25BC**	14/14	14.00x13.00x3.09 (356x330x79)	14.50x12.13 (368x308)	15.00x13.31 (381x338)	12.75 (324)	2.69 (68)	2.16 (55)	2.63 (67)

** Only meets N12.



PB Hole Arrangements



PBGX SERIES 22.5MM PUSHBUTTON ENCLOSURES NEMA 12 OPERATOR INTERFACE



PBGX6

Industry Standards

UL 508, Types 12 & 13
CSA Certified, Types 12 & 13
NEMA/EEMAC Type 12 & 13
JIC EL-1-71

 UL Files E64791

 CSA File LL66078

FEATURES-SPECIFICATIONS

Applications

Designed to hold all standard brands of miniature oil-tight pushbuttons, switches, and pilot lights. Provide protection from dust, dirt, oil and water.

Construction

- Fabricated from 14 gauge steel
- Continuously welded seams ground smooth
- Closed cell oil resistant neoprene gasket
- External mounting plates, top and bottom of enclosure

- Captivated cover screws thread into sealed wells
- Standard "4-way" miniature push-button holes accept all standard brands of miniature push buttons, switches and pilot lights
- Enclosures 8.50" x 5.00" x 4.25" and larger have internal detachable hinges to hold cover open during wiring yet permit quick removal
- Grounding provisions provided

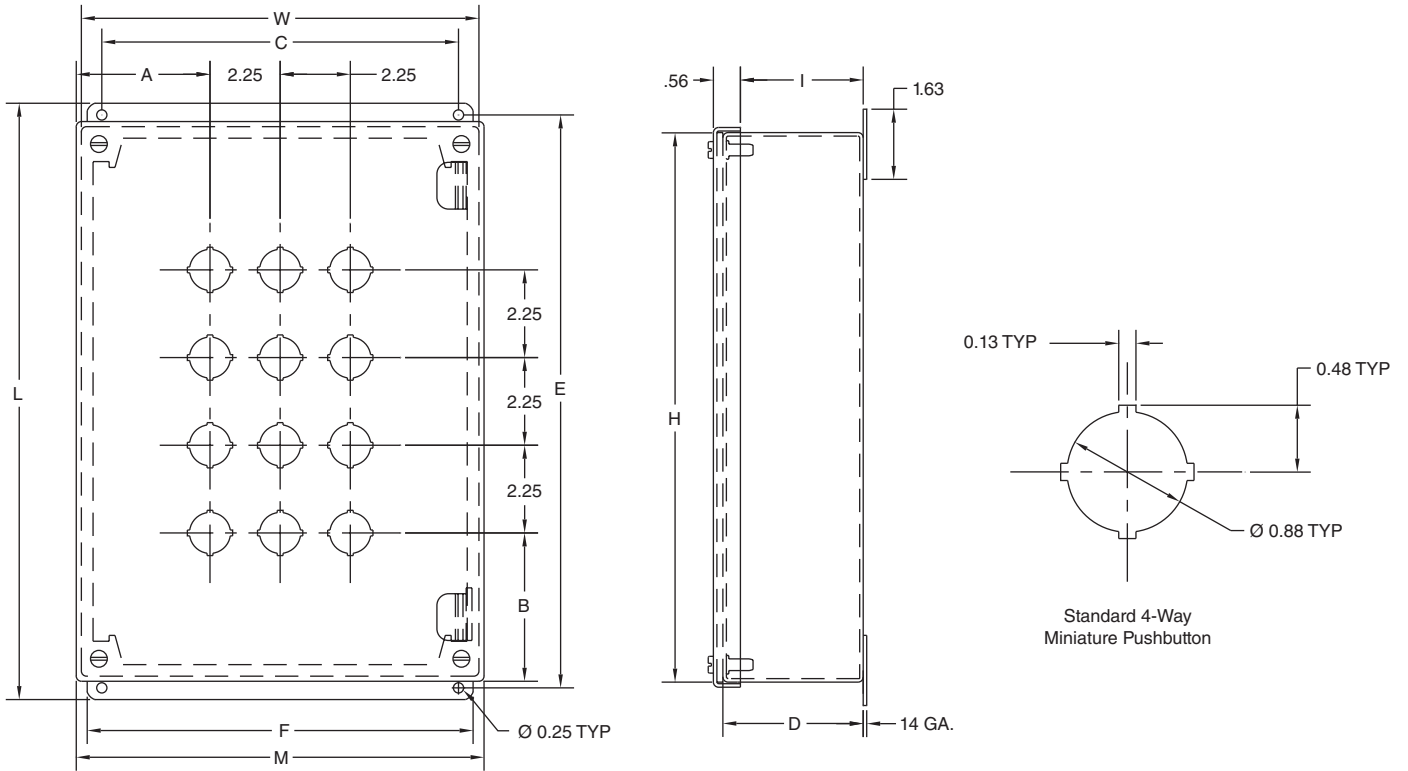
Finish

- ANSI-61 gray polyester powder inside and out over phosphatized surfaces

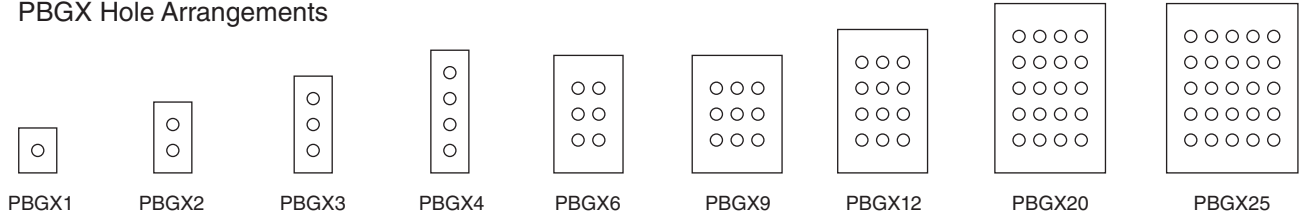
Accessories

- See pages J1-J22

PBGX SERIES OPERATOR INTERFACE 22.5MM PUSHBUTTON ENCLOSURES								
CATALOG NUMBER	BODY/DOOR STEEL GAUGE	ENCLOSURE SIZE H X W X D	MOUNTING C X E	OVERALL L X M	F	I	A	B
PBGX1	14/14	3.25x2.75x3.50 (83x70x89)	1.88x3.75 (48x95)	4.25x3.06 (108x78)	2.50 (64)	3.09 (79)	1.53 (39)	1.78 (45)
PBGX2	14/14	5.13x2.75x3.50 (130x70x89)	1.88x5.63 (48x143)	6.13x3.06 (156x78)	2.50 (64)	3.09 (79)	1.53 (39)	1.78 (45)
PBGX3	14/14	7.00x2.75x3.50 (178x70x89)	1.88x7.50 (48x191)	8.00x3.06 (203x78)	2.50 (64)	3.09 (79)	1.53 (39)	1.78 (45)
PBGX4	14/14	8.88x2.75x3.50 (225x70x89)	1.88x9.38 (48x238)	9.88x3.06 (251x78)	2.50 (64)	3.09 (79)	1.53 (39)	1.78 (45)
PBGX6	14/14	8.50x5.00x4.25 (216x127x108)	4.13x9.00 (105x229)	9.50x5.31 (241x135)	4.75 (121)	3.84 (98)	1.91 (48)	2.53 (64)
PBGX9	14/14	8.50x6.50x4.25 (216x165x108)	5.63x9.00 (143x229)	9.50x6.81 (241x173)	6.25 (159)	3.84 (98)	1.91 (48)	2.53 (64)
PBGX12	14/14	10.38x6.50x4.25 (264x165x108)	5.63x10.88 (143x276)	11.38x6.81 (289x173)	6.25 (159)	3.84 (98)	1.91 (48)	2.53 (64)
PBGX20	14/14	12.25x8.00x4.25 (311x203x108)	7.13x12.75 (181x324)	13.25x8.31 (337x211)	7.75 (197)	3.84 (98)	1.91 (48)	2.53 (64)
PBGX25	14/14	12.25x9.50x4.25 (311x241x108)	8.63x12.75 (219x324)	13.25x9.81 (337x249)	9.25 (235)	3.84 (98)	1.91 (48)	2.53 (64)



PBGX Hole Arrangements



PBXD SERIES 30.5MM PUSHBUTTON ENCLOSURES NEMA 4 & 12 OPERATOR INTERFACE



PBXD6

Industry Standards

UL 508, Types 4, 12 & 13
 CSA Certified, Types 12 & 13
 NEMA/EEMAC Type 4, 12 & 13
 JIC EL-1-71
 (PB16, 16V, 20 & 25 meet N12 only)

 UL File E64791

 CSA File LL66078

FEATURES-SPECIFICATIONS

Applications

Designed to hold 30.5mm oil-tight pushbuttons, switches, and pilot lights. Provide protection against dirt, dust, oil, and water. Extra deep design accommodates additional contact blocks for pushbuttons.

Construction

- Bodies and doors fabricated from 14 gauge steel
- Continuously welded seams ground smooth

- Closed cell oil resistant neoprene gasket
- External mounting plates, top and bottom of enclosure
- Captivated cover screws thread into sealed wells
- Standard "4-way" pushbuttons holes accept all brands of oil-tight push buttons, switches and pilot lights
- Enclosures 6.00" x 4.00" x 4.75" and larger have internal detachable

hinges to hold cover open during wiring, yet permit quick removal

- Grounding provisions provided

Finish

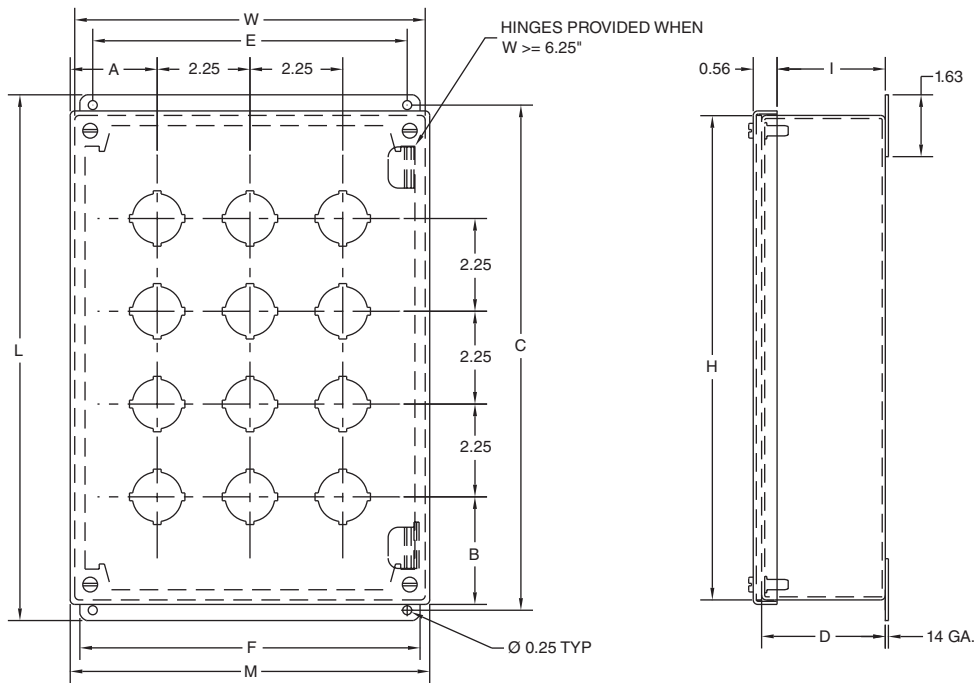
- ANSI-61 gray polyester powder inside and out over phosphatized surfaces

Accessories

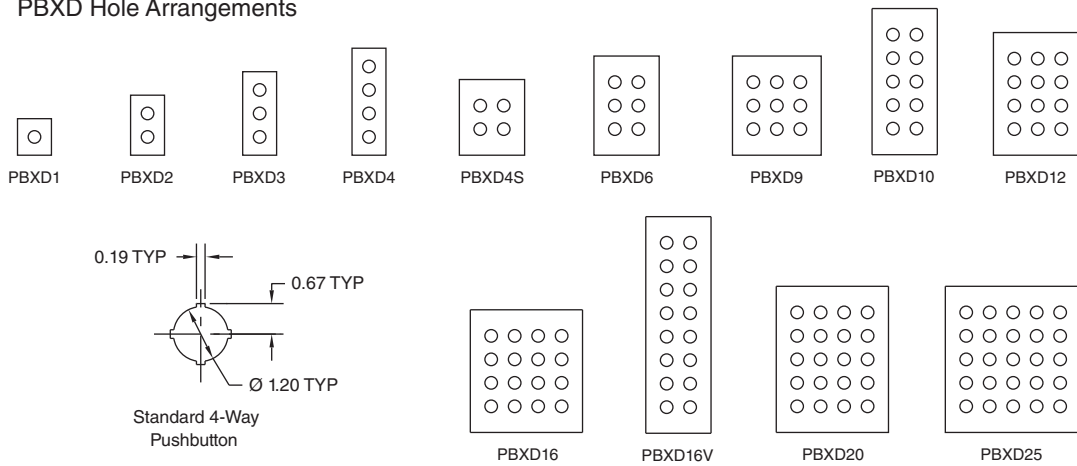
- See page E4 for PBXD Series in stainless steel
- For accessories, see pages J1-J22

PBXD SERIES OPERATOR INTERFACE 30.5MM PUSHBUTTON ENCLOSURES								
CATALOG NUMBER	BODY/DOOR STEEL GAUGE	ENCLOSURE SIZE H X W X D	MOUNTING E X C	OVERALL L X M	F	I	A	B
PBXD1	14/14	4.00x4.00x4.81 (102x102x122)	3.13x4.50 (79x114)	5.00x4.31 (127x110)	3.75 (95)	4.41 (112)	2.19 (56)	2.16 (55)
PBXD2	14/14	6.00x4.00x4.81 (152x102x122)	3.13x6.50 (79x165)	7.00x4.31 (178x110)	3.75 (95)	4.41 (112)	2.19 (56)	2.03 (52)
PBXD3	14/14	8.00x4.00x4.81 (203x102x122)	3.13x8.50 (79x216)	9.00x4.31 (229x110)	3.75 (95)	4.41 (112)	2.19 (56)	1.88 (50)
PBXD4	14/14	10.00x4.00x4.81 (254x102x122)	3.13x10.50 (79x267)	11.00x4.31 (279x110)	3.75 (95)	4.41 (112)	2.19 (56)	1.78 (45)
PBXD4S	14/14	7.25x6.25x4.81 (184x159x122)	5.38x7.75 (137x197)	8.25x6.56 (210x167)	6.00 (152)	4.41 (112)	2.19 (56)	1.66 (42)
PBXD6	14/14	9.50x6.25x4.81 (241x159x122)	5.38x10.00 (137x254)	10.50x6.56 (267x167)	6.00 (152)	4.41 (112)	2.19 (56)	2.66 (67)
PBXD9	14/14	9.50x8.50x4.81 (241x216x122)	7.63x10.00 (194x254)	10.50x8.81 (267x224)	8.25 (210)	4.41 (112)	2.19 (56)	2.66 (67)
PBXD10	14/14	14.00x6.25x4.81 (356x159x122)	5.38x14.50 (137x368)	15.00x6.56 (381x167)	6.00 (152)	4.41 (112)	2.19 (56)	2.66 (67)
PBXD12	14/14	11.75x8.50x4.81 (298x216x122)	7.63x12.25 (194x311)	12.75x8.81 (324x224)	8.25 (210)	4.41 (112)	2.19 (56)	2.66 (67)
PBXD16**	14/14	11.75x10.75x4.81 (298x273x122)	9.88x12.25 (251x311)	12.75x11.06 (324x281)	10.50 (267)	4.41 (112)	2.19 (56)	2.66 (67)
PBXD16V**	14/14	20.75x6.25x4.81 (527x159x122)	5.38x21.25 (137x540)	21.75x6.56 (552x167)	6.00 (152)	4.41 (112)	2.19 (56)	2.66 (67)
PBXD20**	14/14	14.00x10.75x4.81 (356x273x122)	9.88x14.50 (251x368)	15.00x11.06 (381x281)	10.50 (267)	4.41 (112)	2.19 (56)	2.66 (67)
PBXD25**	14/14	14.00x13.00x4.81 (356x330x122)	12.13x14.50 (308x368)	15.00x13.31 (381x338)	12.75 (324)	4.41 (112)	2.19 (56)	2.66 (67)

** Only meets N12.



PBXD Hole Arrangements



PSL SERIES 30.5MM PUSHBUTTON ENCLOSURES NEMA 12 OPERATOR INTERFACE



PSL4

Industry Standards

UL 508, Types 12 & 13
CSA Certified, Types 12 & 13
NEMA/EEMAC Type 12 & 13
JIC EL-1-71

 UL Files E64791

 CSA File LL66078

FEATURES-SPECIFICATIONS

Applications

Designed to hold all standard brands of pushbuttons, switches and pilot lights. Provides protection from dust, dirt, oil and water. This "Slimline" model is designed for conditions where enclosures must fit within very limited areas.

Construction

- Fabricated from 14 gauge steel
- Continuously welded seams ground smooth

- Closed cell oil resistant neoprene gasket
- External mounting plates, top and bottom of enclosure
- Captivated cover screws thread into sealed wells
- Standard 4-way pushbutton holes accept all brands of oil-tight push-buttons, switches and pilot lights
- Grounding provisions provided

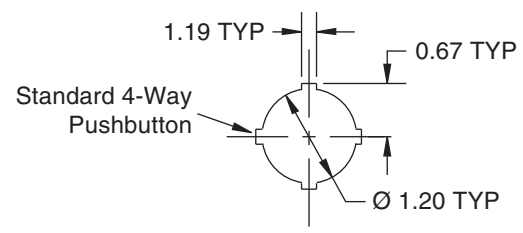
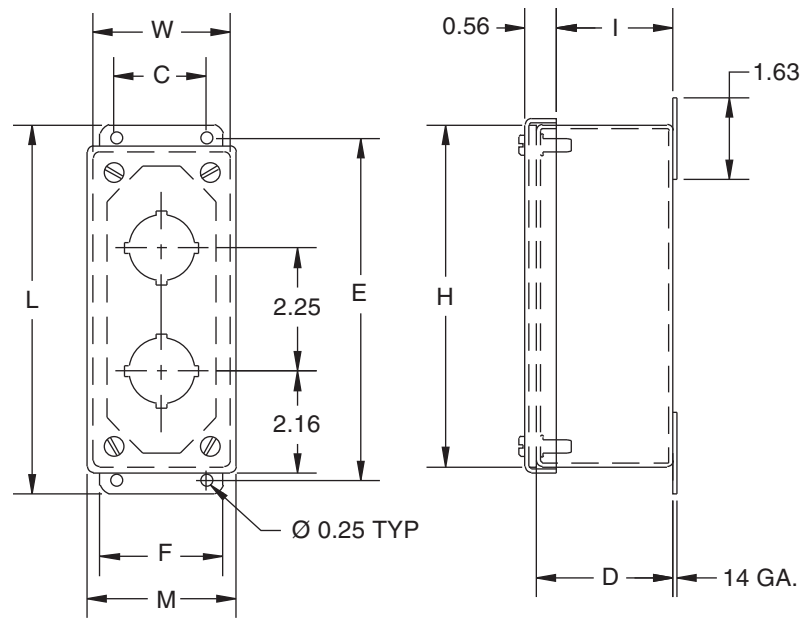
Finish

- ANSI-61 gray polyester powder inside and out over phosphatized surfaces

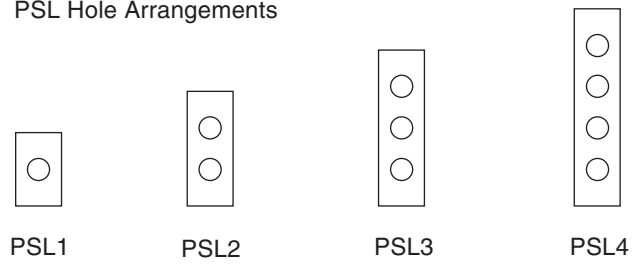
Accessories

- See pages J1-J22

PSL SERIES OPERATOR INTERFACE 30.5MM PUSHBUTTON ENCLOSURES						
CATALOG NUMBER	BODY/DOOR STEEL GAUGE	ENCLOSURE SIZE H X W X D	MOUNTING C X E	OVERALL L X M	F	I
PSL1	14/14	4.00x2.50x2.50 (102x64x64)	1.63x4.50 (41x114)	5.00x2.81 (127x71)	2.25 (57)	2.09 (53)
PSL2	14/14	6.25x2.50x2.50 (159x64x64)	1.63x6.75 (41x171)	7.25x2.81 (184x71)	2.25 (57)	2.09 (53)
PSL3	14/14	8.50x2.50x2.50 (216x64x64)	1.63x9.00 (41x229)	9.50x2.81 (241x71)	2.25 (57)	2.09 (53)
PSL4	14/14	10.75x2.50x2.50 (273x64x64)	1.63x11.25 (41x286)	11.75x2.81 (298x71)	2.25 (57)	2.09 (53)



PSL Hole Arrangements



PBYX SERIES 30.5MM PUSHBUTTON ENCLOSURES NEMA 12 OPERATOR INTERFACE



PBX12

Industry Standards

UL 508, Types 12 & 13
CSA Certified, Types 12 & 13
NEMA/EEMAC Type 12 & 13
JIC EL-1-71

 UL Files E64791

 CSA File LL66078

FEATURES-SPECIFICATIONS

Applications

Designed to hold 30.5mm oil-tight pushbuttons, switches, and pilot lights with extra size to allow 2.50" between centers of pushbutton holes. Provide protection against dirt, dust, oil, and water.

Construction

- Fabricated from 14 gauge steel
- Continuously welded seams ground smooth
- Cover held in place by continuous hinge

- Back panel included with enclosure
- Closed cell oil resistant neoprene gasket
- External mounting plates, top and bottom of enclosure
- Captivated cover screws thread into sealed wells
- Standard "4-way" pushbutton holes accept all brands of oil-tight push buttons, switches and pilot lights
- Grounding provisions provided

Finish

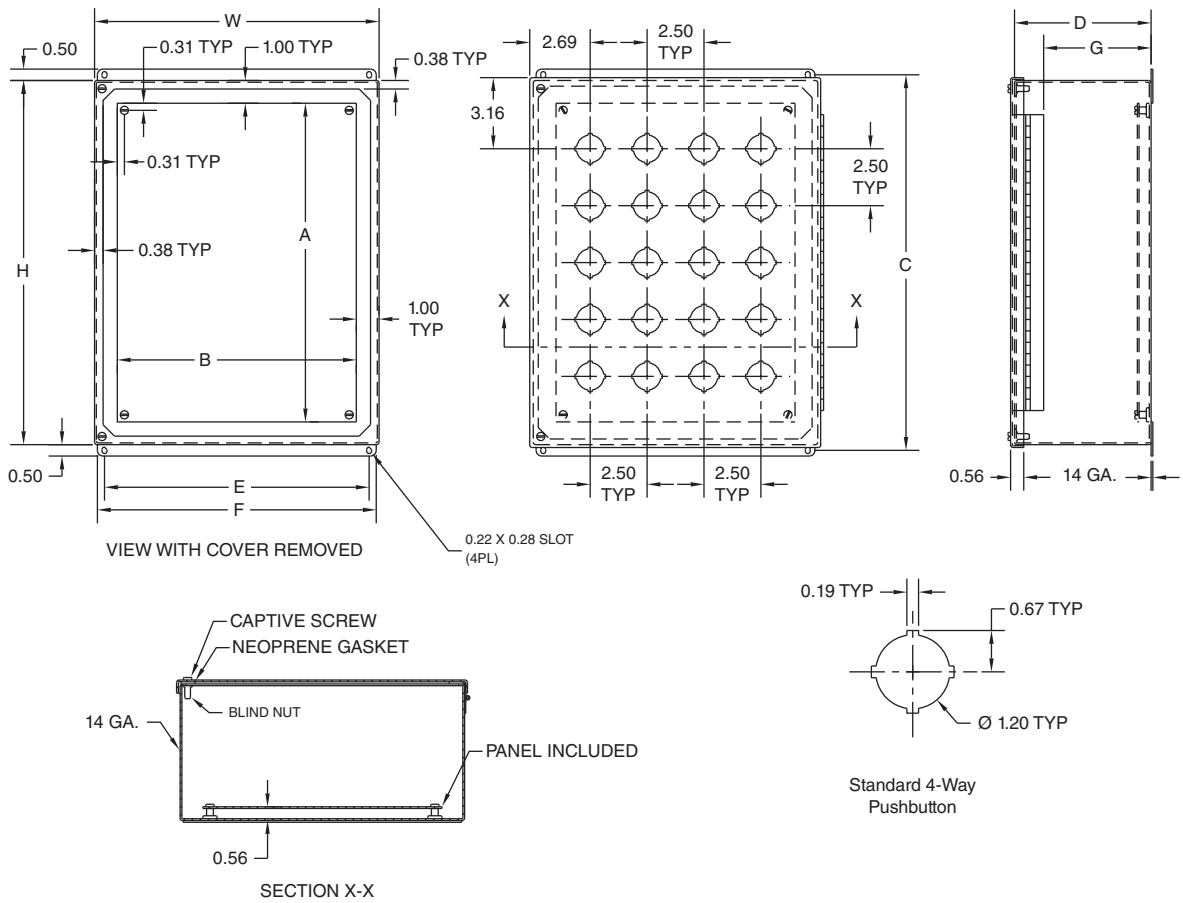
- ANSI-61 gray polyester powder inside and out over phosphatized surfaces
- Included back panels are white polyester powder over phosphatized surfaces

Accessories

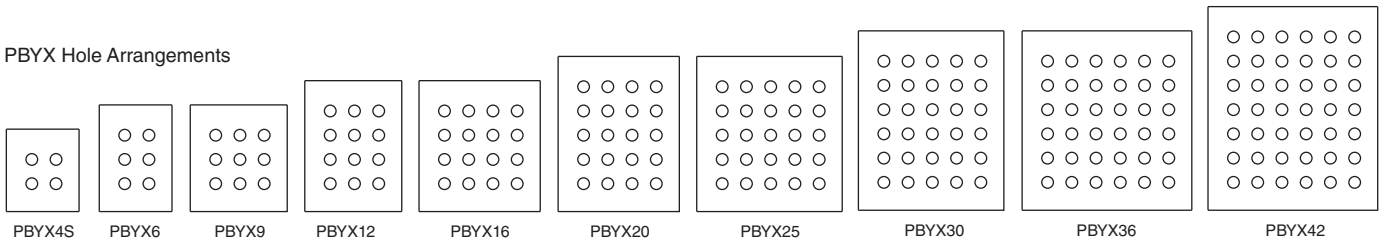
- See pages J1-J22

PBYX SERIES OPERATOR INTERFACE 30.5MM PUSHBUTTON ENCLOSURES						
CATALOG NUMBER	BODY/DOOR STEEL GAUGE	ENCLOSURE SIZE H X W X D	MOUNTING C X E	BACK PANEL SIZE A X B	F	G
PBYX4S	14/14	8.50x7.50x6.00 (216x191x152)	9.00x6.50 (229x165)	6.50x5.50 (165x140)	7.25 (184)	4.78 (121)
PBYX6	14/14	11.00x7.50x6.00 (279x191x152)	11.50x6.50 (292x165)	9.00x5.50 (229x140)	7.25 (184)	4.78 (121)
PBYX9	14/14	11.00x10.00x6.00 (279x254x152)	11.50x9.00 (292x229)	9.00x8.00 (229x203)	9.75 (248)	4.78 (121)
PBYX12	14/14	13.50x10.00x6.00 (343x254x152)	14.00x9.00 (356x229)	11.50x8.00 (292x203)	9.75 (248)	4.78 (121)
PBYX16	14/14	13.50x12.50x6.00 (343x318x152)	14.00x11.50 (356x292)	11.50x10.50 (292x267)	12.25 (311)	4.78 (121)
PBYX20	14/14	16.00x12.50x6.00 (406x318x152)	16.50x11.50 (419x292)	14.00x10.50 (356x267)	12.25 (311)	4.78 (121)
PBYX25	14/14	16.00x15.00x6.00 (406x381x152)	16.50x14.00 (419x356)	14.00x13.00 (356x330)	14.75 (375)	4.78 (121)
PBYX30	14/14	18.50x15.00x6.00 (470x381x152)	19.00x14.00 (483x356)	16.50x13.00 (419x330)	14.75 (375)	4.78 (121)
PBYX36	14/14	18.50x17.50x6.00 (470x445x152)	19.00x16.50 (483x419)	16.50x15.50 (419x394)	17.25 (438)	4.78 (121)
PBYX42	14/14	21.00x17.50x6.00 (533x445x152)	21.50x16.50 (546x419)	19.00x15.50 (483x394)	17.25 (438)	4.78 (121)

*Back panels included with enclosure.



PBYX Hole Arrangements





NOTES