

## N1C SERIES ENCLOSURES "SMALL" NEMA 1 HINGED WALL-MOUNT



N1C060604

### Industry Standards

UL 50, Type 1

CSA Certified, Type 1

NEMA/EEMAC Type 1

 UL Files E6924

 CSA File LL66078

## FEATURES-SPECIFICATIONS

### Applications

Designed for use as control enclosures and instrument cases in areas not requiring oil-tight and dust-tight specifications.

### Construction

- Bodies and doors fabricated from 14 gauge steel (reference tables)
- Continuous hinged covers
- Mounting holes on back of cabinet
- Grounding provisions provided

- Doors furnished standard with flushmount quarter-turn style latch
- Weldnuts provided for mounting optional back panels

### Finish

- ANSI-61 gray polyester powder inside and out
- Optional back panels are white polyester powder

- Optional perforated panels are painted white polyester powder

### Accessories

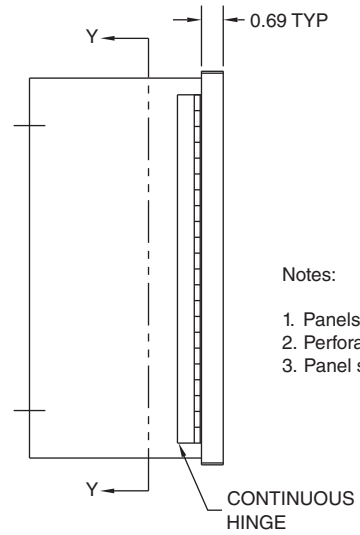
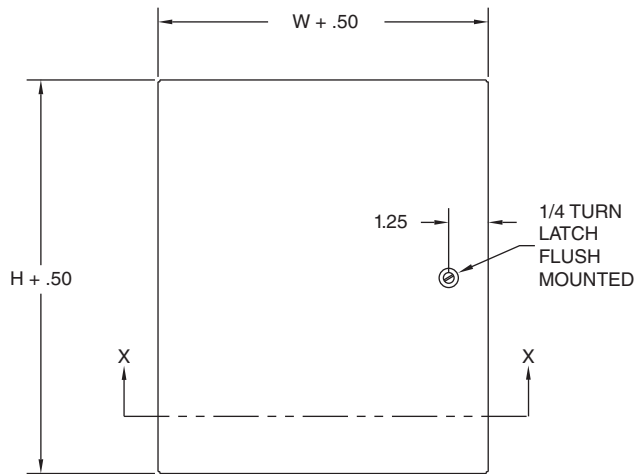
- Back panels (reference tables) and page I3
- Cylinder lock kit
- See pages J1-J22

"SMALL" N1C SERIES HINGE COVER ENCLOSURES						
CATALOG NUMBER	BODY/DOOR STEEL GAUGE	ENCLOSURE SIZE H+ $\frac{1}{8}$ ", W+ $\frac{1}{8}$ ", D+ $\frac{3}{16}$ "	BACK PANEL CATALOG NUMBER*		BACK PANEL STEEL GAUGE	BACK PANEL SIZE A X B
			PAINTED	PERFORATED		
N1C060604	14/14	6.00x6.00x4.00 (152x152x102)	N1P0606	N1P0606PP	14	4.25x4.25 (108x108)
N1C060804	14/14	8.00x6.00x4.00 (203x152x102)	N1P0608	N1P0608PP	14	6.25x4.25 (159x108)
N1C080804	14/14	8.00x8.00x4.00 (203x203x102)	N1P0808	N1P0808PP	14	6.25x6.25 (159x159)
N1C081004	14/14	10.00x8.00x4.00 (254x203x102)	N1P0810	N1P0810PP	14	8.25x6.25 (210x159)
N1C101004	14/14	10.00x10.00x4.00 (254x254x102)	N1P1010	N1P1010PP	14	8.25x8.25 (210x210)
N1C101204	14/14	12.00x10.00x4.00 (305x254x102)	N1P1012	N1P1012PP	14	10.25x8.25 (260x210)
N1C121204	14/14	12.00x12.00x4.00 (305x305x102)	N1P1212	N1P1212PP	14	10.25x10.25 (260x260)
N1C121404	14/14	14.00x12.00x4.00 (356x305x102)	N1P1214	N1P1214PP	14	12.25x10.25 (311x260)
N1C060806	14/14	8.00x6.00x6.00 (203x152x152)	N1P0608	N1P0608PP	14	6.25x4.25 (159x108)
N1C080806	14/14	8.00x8.00x6.00 (203x203x152)	N1P0808	N1P0808PP	14	6.25x6.25 (159x159)
N1C081006	14/14	10.00x8.00x6.00 (254x203x152)	N1P0810	N1P0810PP	14	8.25x6.25 (210x159)
N1C101006	14/14	10.00x10.00x6.00 (254x254x152)	N1P1010	N1P1010PP	14	8.25x8.25 (210x210)
N1C101206	14/14	12.00x10.00x6.00 (305x254x152)	N1P1012	N1P1012PP	14	10.25x8.25 (260x210)
N1C121206	14/14	12.00x12.00x6.00 (305x305x152)	N1P1212	N1P1212PP	14	10.25x10.25 (260x260)
N1C121406	14/14	14.00x12.00x6.00 (356x305x152)	N1P1214	N1P1214PP	14	12.25x10.25 (311x260)
N1C121606S	14/14	16.00x12.00x6.00 (406x305x152)	N1P1216	N1P1216PP	14	14.25x10.25 (362x260)
N1C122006	14/14	20.00x12.00x6.00 (508x305x152)	N1P1220	N1P1220PP	14	18.25x10.25 (464x260)
+ N1C121208	14/14	12.00x12.00x8.00 (305x305x203)	N1P1212	N1P1212PP	14	10.25x10.25 (260x260)
+ N1C121408	14/14	14.00x12.00x8.00 (356x305x203)	N1P1214	N1P1214PP	14	12.25x10.25 (311x260)

\*Back panels must be ordered separately

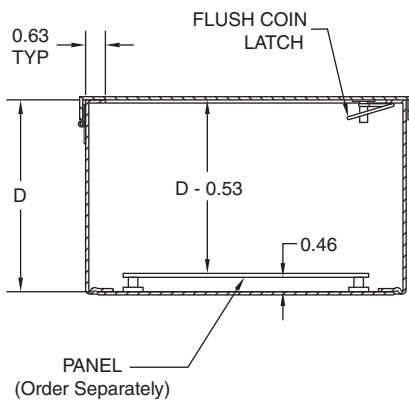
(+) All products, unless otherwise denoted by a (+), are: H+1/8", W+1/8", D+3/16"

NOTE: Second numerical value of catalog # represents height.

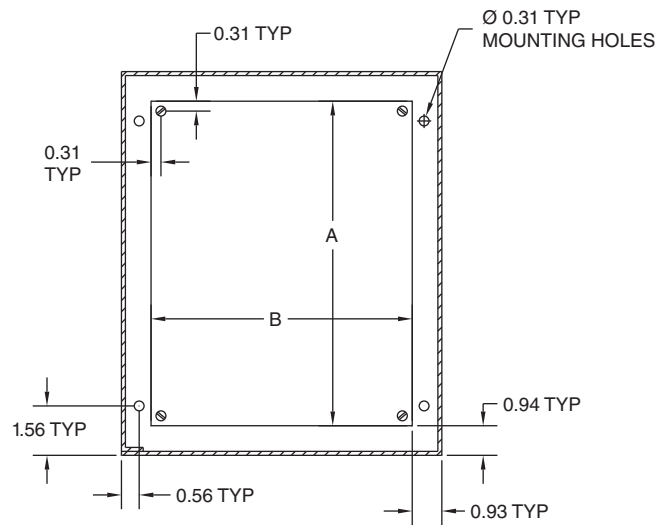


Notes:

1. Panels are 14 Ga. steel or
2. Perforated = 16 Ga. steel.
3. Panel screws are #10-32.



**SECTION X-X**



**SECTION Y-Y**