



N1C161606LP

### Industry Standards

UL 50, Type 1

CSA Certified, Type 1

NEMA/EEMAC Type 1

UL File E6924

CSA File LL66078

## FEATURES-SPECIFICATIONS

### Applications

Designed for use in control and instrumentation applications in areas which do not require oil-tight and dust-tight specifications.

### Construction

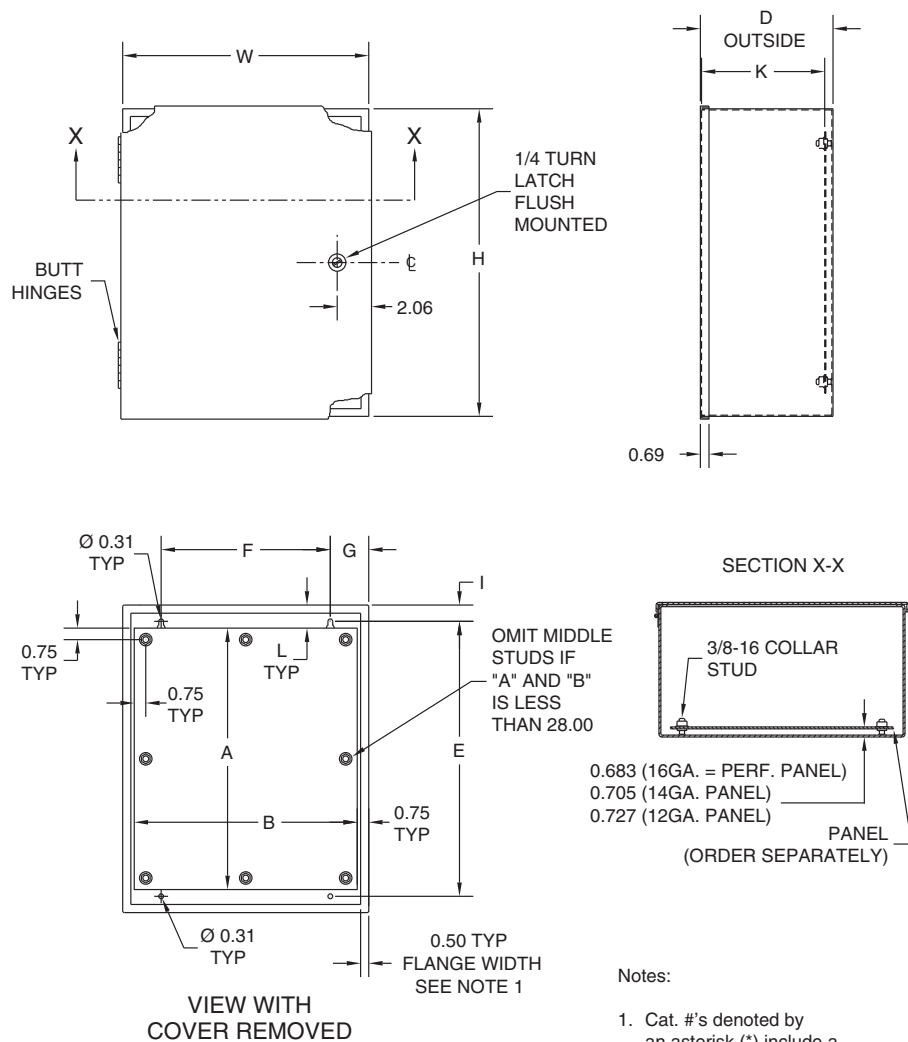
- Bodies and doors fabricated from 14 gauge steel
- Mounting holes on back of cabinet
- Collar studs provided for mounting optional back panel
- Doors furnished standard with flushmount quarter-turn style latch
- Doors secured by butt hinges
- Grounding provisions provided

### Finish

- ANSI-61 gray polyester powder inside and out
- **Optional** back panels are white polyester powder
- **Optional** perforated subpanels are painted white polyester powder

### Accessories

- Back panels (reference tables) and page I6
- See pages J1-J22



**N1C SERIES ENCLOSURES  
"MEDIUM" NEMA 1 HINGED WALL-MOUNT**

**A11**

"MEDIUM" N1C SERIES HINGE COVER ENCLOSURES												
CATALOG NUMBER	BODY/DOOR STEEL GAUGE	ENCLOSURE SIZE H X W X D	BACK PANEL CATALOG NUMBER**	PERFORATED SUBPANEL PART NUMBER**	BACK PANEL SIZE A X B	BACK PANEL STEEL GAUGE	E	F	G	I	K	L
N1C121606LP*	14/14	16.00x12.00x6.75 (406x305x171)	N1P1216L	N1P1216LPP	13.00x10.50 (330x267)	14	13.88 (352)	7.00 (178)	2.50 (64)	1.06 (27)	5.974 (152)	1.50 (38)
N1C161606LP*	14/14	16.00x16.00x6.75 (406x406x171)	N1P1616	N1P1616PP	13.00x14.50 (330x368)	14	13.88 (352)	11.00 (279)	2.50 (64)	1.06 (27)	5.974 (152)	1.50 (38)
N1C162006LP*	14/14	20.00x16.00x6.75 (508x406x171)	N1P1620	N1P1620PP	17.00x14.50 (432x368)	14	17.88 (454)	11.00 (279)	2.50 (64)	1.06 (27)	5.974 (152)	1.50 (38)
N1C162406LP*	14/14	24.00x16.00x6.75 (610x406x171)	N1P1624	N1P1624PP	21.00x14.50 (533x368)	14	21.88 (556)	11.00 (279)	2.50 (64)	1.06 (27)	5.974 (152)	1.50 (38)
N1C201606LP*	14/14	16.00x20.00x6.75 (406x508x171)	N1P2016	N1P2016PP	13.00x18.50 (330x470)	14	13.88 (352)	15.00 (381)	2.50 (64)	1.06 (27)	5.974 (152)	1.50 (38)
N1C202006LP*	14/14	20.00x20.00x6.75 (508x508x171)	N1P2020	N1P2020PP	17.00x18.50 (432x470)	14	17.88 (454)	15.00 (381)	2.50 (64)	1.06 (27)	5.974 (152)	1.50 (38)
N1C202406LP*	14/14	24.00x20.00x6.75 (610x508x171)	N1P2024	N1P2024PP	21.00x18.50 (533x470)	14	21.88 (556)	15.00 (381)	2.50 (64)	1.06 (27)	5.974 (152)	1.50 (38)
N1C242406LP*	14/14	24.00x24.00x6.75 (610x610x171)	N1P2424	N1P2424PP	21.00x22.50 (533x572)	12	21.88 (556)	19.00 (483)	2.50 (64)	1.06 (27)	5.952 (151)	1.50 (38)
N1C203006LP*	14/14	30.00x20.00x6.63 (762x508x168)	N1P2030	N1P2030PP	26.00x18.50 (660x470)	12	27.50 (699)	12.75 (324)	3.63 (92)	1.25 (32)	5.827 (148)	2.00 (51)
N1C243006LP	14/14	30.00x24.00x6.63 (762x610x168)	N1P2430	N1P2430PP	26.00x22.50 (660x572)	12	27.50 (699)	16.75 (425)	3.63 (92)	1.25 (32)	5.827 (148)	2.00 (51)
N1C243606LP	14/14	36.00x24.00x6.63 (914x610x168)	N1P2436	N1P2436PP	32.00x22.50 (813x572)	12	33.50 (851)	16.75 (425)	3.63 (92)	1.25 (32)	5.827 (148)	2.00 (51)
N1C303606LP	14/14	36.00x30.00x6.63 (914x762x168)	N1P3036	N1P3036PP	32.00x28.50 (813x724)	12	33.50 (851)	22.75 (578)	3.63 (92)	1.25 (32)	5.827 (148)	2.00 (51)
N1C121608LP*	14/14	16.00x12.00x8.75 (406x305x222)	N1P1216L	N1P1216LPP	13.00x10.50 (330x267)	14	13.88 (352)	7.00 (178)	2.50 (64)	1.06 (27)	7.974 (203)	1.50 (38)
N1C162008LP*	14/14	20.00x16.00x8.75 (508x406x222)	N1P1620	N1P1620PP	17.00x14.50 (432x368)	14	17.88 (454)	11.00 (279)	2.50 (64)	1.06 (27)	7.974 (203)	1.50 (38)
N1C202008LP*	14/14	20.00x20.00x8.75 (508x508x222)	N1P2020	N1P2020PP	17.00x18.50 (432x470)	14	17.88 (454)	15.00 (381)	2.50 (64)	1.06 (27)	7.974 (203)	1.50 (38)
N1C202408LP*	14/14	24.00x20.00x8.75 (610x508x222)	N1P2024	N1P2024PP	21.00x18.50 (533x470)	14	21.88 (556)	15.00 (381)	2.50 (64)	1.06 (27)	7.974 (203)	1.50 (38)
N1C242008LP*	14/14	20.00x24.00x8.75 (508x610x222)	N1P2420	N1P2420PP	17.00x22.50 (432x572)	14	17.88 (454)	19.00 (483)	2.50 (64)	1.06 (27)	7.974 (203)	1.50 (38)
N1C242408LP*	14/14	24.00x24.00x8.75 (610x610x222)	N1P2424	N1P2424PP	21.00x22.50 (533x572)	12	21.88 (556)	19.00 (483)	2.50 (64)	1.06 (27)	7.952 (202)	1.50 (38)
N1C243008LP	14/14	30.00x24.00x8.63 (762x610x219)	N1P2430	N1P2430PP	26.00x22.50 (660x572)	12	27.50 (699)	16.75 (425)	3.63 (92)	1.25 (32)	7.827 (199)	2.00 (51)
N1C303008LP	14/14	30.00x30.00x8.63 (762x762x219)	N1P3030	N1P3030PP	26.00x28.50 (660x724)	12	27.50 (699)	22.75 (578)	3.63 (92)	1.25 (32)	7.827 (199)	2.00 (51)
N1C243608LP	14/14	36.00x24.00x8.63 (914x610x219)	N1P2436	N1P2436PP	32.00x22.50 (813x572)	12	33.50 (851)	16.75 (425)	3.63 (92)	1.25 (32)	7.827 (199)	2.00 (51)
N1C303608LP	14/14	36.00x30.00x8.63 (914x762x219)	N1P3036	N1P3036PP	32.00x28.50 (813x724)	12	33.50 (851)	22.75 (578)	3.63 (92)	1.25 (32)	7.827 (199)	2.00 (51)
N1C202410LP*	14/14	24.00x20.00x10.75 (610x508x273)	N1P2024	N1P2024PP	21.00x18.50 (533x470)	14	21.88 (556)	15.00 (381)	2.50 (64)	1.06 (27)	9.974 (253)	1.50 (38)
N1C243010LP	14/14	30.00x24.00x10.63 (762x610x270)	N1P2430	N1P2430PP	26.00x22.50 (660x572)	12	27.50 (699)	16.75 (425)	3.63 (92)	1.25 (32)	9.827 (250)	2.00 (51)
N1C242412LP*	14/14	24.00x24.00x12.75 (610x610x324)	N1P2424	N1P2424PP	21.00x22.50 (533x572)	12	21.88 (556)	19.00 (483)	2.50 (64)	1.06 (27)	11.952 (304)	1.50 (38)
N1C243012LP	14/14	30.00x24.00x12.63 (762x610x321)	N1P2430	N1P2430PP	26.00x22.50 (660x572)	12	27.50 (699)	16.75 (425)	3.63 (92)	1.25 (32)	11.827 (300)	2.00 (51)
N1C303612LP	14/14	36.00x30.00x12.63 (914x762x321)	N1P3036	N1P3036PP	32.00x28.50 (813x724)	12	33.50 (851)	22.75 (578)	3.63 (92)	1.25 (32)	11.827 (300)	2.00 (51)

\*See note 1 on the drawing.

\*\*Back panels must be ordered separately

NOTE: Second numerical value of catalog # represents height.