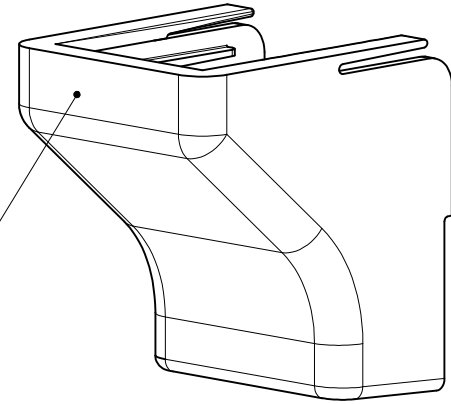


SECTION A-A

TSR3-50  
CEILING DROP



**PART NO. DESCRIPTION**

TSR3\_\_-50

COLOR:  
I = IVORY  
FW = OFFICE WHITE  
W = WHITE  
(FOR OTHER COLORS  
CONTACT FACTORY)

NOTE:  
1. THIS ASSEMBLY MATES WITH  
(1) TSR3 RACEWAY

I  
N  
V  
E  
N  
T  
O  
R  
S

**HellermannTyton.**

A SPIRENT Company

ALL PROPRIETARY RIGHTS IN THE SUBJECT MATTER SHOWN ON  
THIS DRAWING ARE EXCLUSIVE PROPERTY OF HELLERMANNTYTON

name	date	city, state

R E V I S I O N	D level	01
	AW by	PLN
	IN date	07/23/02
	G ECN #	003276
	part level	-

D I M E N S I O N S	TOLERANCES	.XXXX = ±.0005
		.XXX = ±.005
		.XX = ±.01
		.X = ±.03
		∠ = ±0.5°
		unless otherwise specified
	units	inches

P A R T	number	TSR3__-50	phase	PRODUCTION
	name	TSR3-50 1 3/4" CEILING DROP		
	material	PVC		

D R A W I N G	format	AH	CAD	SW	scale	3:4
	version N					
	computer file number	DT3026003CST_01		previous number		
	drawn	K.A.C.	checked		approved	
		10/30/91				
	type	CUSTOMER		sheet 1 of 1		
number	DT3026003CST					