

Plastic Mounting Half Bracket *Designed for Leviton Structured Media™ Centers* *For use in MDU and custom applications.*

APPLICATIONS

Leviton's Mounting Half-Bracket is a half-width plastic bracket that accepts up to three Leviton phone, data, security or DSL Filter Expansion Boards to accommodate an installer's need for custom mounting solutions within Leviton's Series 140, 280 and 420 Structured Media™ Centers.

FEATURES

- Snap-in installation in any Leviton Series 140, 280, or 420 Structured Media Center
- Allow for cable management via routing under bracket (3/4")
- Accepts up to three Leviton Single-Width Expansion Boards
- Removable spines allow for all TLDM board mounting

PHYSICAL SPECIFICATIONS

Materials: ABS Plastic
Dimensions: 6.55"H X 6.55"W X 1.5" D

WARRANTY

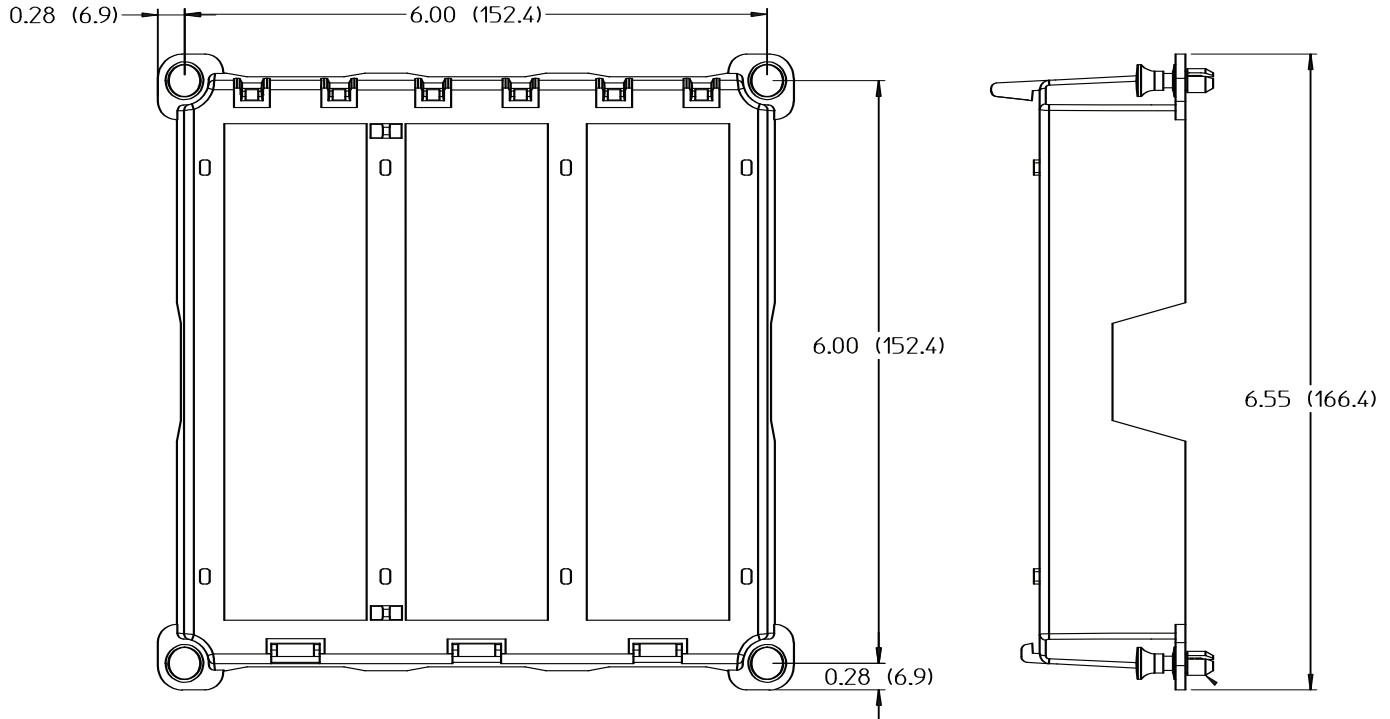
Two-Year Product Warranty

TYPICAL SPECIFICATION

The half-bracket shall be able to mount up to three Leviton single-width boards. It shall be made of ABS plastic and is intended for use in 140, 280 and 420 Series Structured Media™ Centers. Manufacturer shall provide a two-year product warranty.

Product Specifications

47612-HBK



ORDERING INFORMATION

Cat. No.	Description
47612-HBK	Plastic Mounting Half-Bracket for Leviton Series 140, 280 or 420 Structured Media Centers.

Leviton Manufacturing Co., Inc.
 59-25 Little Neck Parkway, Little Neck NY 11362-2591
 Customer Service: 1-800-323-8920 • FAX: 1-800-832-9538 Tech Line: 1-800-824-3005

Leviton Manufacturing of Canada, Ltd.
 165 Hymus Boulevard, Pointe Claire, Quebec H9R 1E9 Customer Service: 1-800-469-7890 • FAX: 1-800-563-1853

Leviton S. de R.L. de C.V.
 Lago Tana 43 Mexico DF, Mexico CP 11290 Tel. (+52) 55-5082-1040 www.leviton.com.mx

Note: Features and specifications subject to change
 Patents Pending ©2007 Leviton Manufacturing Co., Inc. All rights reserved.

Visit our Website at: www.leviton.com

